

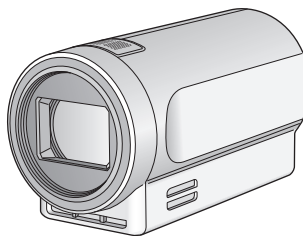
Panasonic®

Operating Instructions/Bedienungsanleitung/Mode d'emploi/
Istruzioni per l'uso/Instrucciones de funcionamiento/ 取扱説明書

Compact Camera Head/Kompakter Kamerakopf/
Tête de caméra compacte/Testa camera compatta/
Cabezal de cámara compacto/ コンパクトカメラヘッド

Model No. **AG-MDC20G**

POV CAM



AVCHD™
Progressive

DOLBY AUDIO™

保証書付き

Before operating this product, please read the instructions carefully and save this manual for future use.

Bitte lesen Sie diese Bedienungsanleitung vor der Inbetriebnahme dieses Produkts aufmerksam durch, und bewahren Sie sie für späteres Nachschlagen auf.

Avant d'utiliser l'appareil, lire attentivement ce mode d'emploi, et le conserver à des fins de référence ultérieure.

Prima di far funzionare questo prodotto, leggere attentamente le istruzioni e conservare questo manuale per riferimenti futuri.

Antes de utilizar este producto, lea cuidadosamente las instrucciones y guarde este manual por si tiene que utilizarlo en el futuro.

このたびは、パナソニック製品をお買い上げいただき、まことにありがとうございます。

● 取扱説明書をよくお読みのうえ、正しく安全にお使いください。

● ご使用前に「安全上のご注意」(58～60ページ)を必ずお読みください。

● 保証書は「お買い上げ日・販売店名」などの記入を確かめ、取扱説明書とともに大切に保管してください。

GJ

CG0619MZ1022 -FJ

Printed in China

DVQX1873YA

ENGLISH

DEUTSCH

FRANÇAIS

ITALIANO

ESPAÑOL

日本語

Български	Посетете следния уебсайт относно информация за безопасността и важни уведомления за продукта.
Hrvatski	Za sigurnosne informacije i važne obavijesti o proizvodu posjetite sljedeću internetsku stranicu.
Čeština	Na následujícím webu najdete bezpečnostní informace a důležité poznámky k tomuto produktu.
Dansk	Besøg følgende webside for sikkerhedsinformation og vigtige bemærkninger vedrørende produktet.
Nederlands	Ga naar de volgende website voor veiligheidsinformatie en belangrijke meldingen over het product.
Eesti	Toodet puudutava ohutusteabe ja oluliste märkuste saamiseks külastage järgmist veebilehte.
Suomi	Käy seuraavalla verkkosivulla saadaksesi turvallisuustietoja ja tärkeitä tietoja liittyen laitteeseen.
Ελληνικά	Για πληροφορίες σχετικά με θέματα ασφάλειας και σημαντικές ειδοποιήσεις που αφορούν το προϊόν σας, επισκεφτείτε τον ιστότοπο που ακολουθεί.
Magyar	A termékkel kapcsolatos biztonsági információkért és fontos értesítésekért látogasson el az alábbi weboldalra.
Latviešu	Lai iegūtu informāciju par drošību un skatītu svarīgus paziņojumus par šo produktu, apmeklējiet tālāk norādīto tīmekļa vietni.
Lietuvių	Jei reikia saugos informacijos ir svarbių pranešimų apie gaminį, apsilankykite toliau nurodytoje svetainėje.
Polski	Informacje o bezpieczeństwie i ważne informacje o produkcie znajdują się w poniższej witrynie internetowej.
Português	Consulte o seguinte website para as informações de segurança e importantes notificações sobre o produto.
Română	Vizitați următoarea pagină web pentru informații de securitate și notificări importante cu privire la produs.
Slovensky	Pre bezpečnostné informácie a dôležité oznámenia súvisiace s produktom navštívte túto webovú stránku.
Slovenščina	Za varnostne informacije in pomembna obvestila v zvezi z izdelkom obiščite naslednje spletno mesto.
Svenska	Besök följande webbplats för säkerhetsinformation och viktiga meddelanden om produkten.

<https://pro-av.panasonic.net/manual/en/index.html>

Information for Your Safety

WARNING:

To reduce the risk of fire, electric shock or product damage,

- Do not expose this unit to rain, moisture, dripping or splashing.
- Do not place objects filled with liquids, such as vases, on this unit.
- Use only the recommended accessories.
- Do not remove covers.
- Do not repair this unit by yourself. Refer servicing to qualified service personnel.

CAUTION!

To reduce the risk of fire, electric shock or product damage,

- Do not install or place this unit in a bookcase, built-in cabinet or in another confined space. Ensure this unit is well ventilated.
- Do not obstruct this unit's ventilation openings with newspapers, tablecloths, curtains, and similar items.
- Do not place sources of naked flames, such as lighted candles, on this unit.

CAUTION:


Do not lift the unit while the tripod is attached.

When the tripod is attached, its weight will also affect the unit, possibly causing the unit to break and hurting the user. To carry the unit while the tripod is attached, take hold of the tripod.

CAUTION:

Do not leave the unit in direct contact with the skin when in use.

- Low temperature burns may result if the skin is left in direct contact with the high temperature parts of the unit or heated air from the ventilation openings of the unit. Use a support such as a tripod when using the unit for long periods.

 indicates safety information.

■ Product identification marking

Product Identification Marking is located on the bottom of the unit.

This unit is intended for use in moderate and tropical climates. (Southeast Asia, Middle East only)
This unit is intended for use in moderate climates. (Except Southeast Asia, Middle East)

■ IMPORTANT SAFETY INSTRUCTIONS

Read these operating instructions carefully before using the unit. Follow the safety instructions on the unit and the applicable safety instructions listed below. Keep these operating instructions handy for future reference.

- 1) Read these instructions.
- 2) Keep these instructions.
- 3) Heed all warnings.
- 4) Follow all instructions.
- 5) Do not use this apparatus near water.
- 6) Clean only with dry cloth.
- 7) Do not block any ventilation openings. Install in accordance with the manufacturer's instructions.
- 8) Do not install near any heat sources such as radiators, heat registers, stoves, or other apparatus (including amplifiers) that produce heat.
- 9) Do not defeat the safety purpose of the polarized or grounding-type plug. A polarized plug has two blades with one wider than the other. A grounding-type plug has two blades and a third grounding prong. The wide blade or the third prong are provided for your safety. If the provided plug does not fit into your outlet, consult an electrician for replacement of the obsolete outlet.
- 10) Protect the power cord from being walked on or pinched particularly at plugs, convenience receptacles, and the point where they exit from the apparatus.
- 11) Only use attachments/accessories specified by the manufacturer.
- 12) Use only with the cart, stand, tripod, bracket, or table specified by the manufacturer, or sold with the apparatus. When a cart is used, use caution when moving the cart/apparatus combination to avoid injury from tip-over.
- 13) Unplug this apparatus during lightning storms or when unused for long periods of time.
- 14) Refer all servicing to qualified service personnel. Servicing is required when the apparatus has been damaged in any way, such as power-supply cord or plug is damaged, liquid has been spilled or objects have fallen into the apparatus, the apparatus has been exposed to rain or moisture, does not operate normally, or has been dropped.



FCC NOTICE (USA)

Responsible Party: Panasonic Corporation of North America
Two Riverfront Plaza Newark NJ07102
Support contact: 1-800-524-1448

This device complies with Part 15 of the FCC Rules.

Operation is subject to the following two conditions:

(1) This device may not cause harmful interference, and (2) this device must accept any interference received, including interference that may cause undesired operation.

To assure continued compliance, follow the attached installation instructions and do not make any unauthorized modifications.

CAUTION:

This equipment has been tested and found to comply with the limits for a Class B digital device, pursuant to Part 15 of the FCC Rules. These limits are designed to provide reasonable protection against harmful interference in a residential installation. This equipment generates, uses and can radiate radio frequency energy and, if not installed and used in accordance with the instructions, may cause harmful interference to radio communications. However, there is no guarantee that interference will not occur in a particular installation. If this equipment does cause harmful interference to radio or television reception, which can be determined by turning the equipment off and on, the user is encouraged to try to correct the interference by one or more of the following measures:

- Reorient or relocate the receiving antenna.
- Increase the separation between the equipment and receiver.
- Connect the equipment into an outlet on a circuit different from that to which the receiver is connected.
- Consult the dealer or an experienced radio/TV technician for help.

The user may find the booklet "Something About Interference" available from FCC local regional offices helpful.

Any unauthorized changes or modifications to this equipment could void the user's authority to operate this device.

NOTIFICATION (Canada)

CAN ICES-003(B)/NMB-003(B)

 indicates safety information.

AEEE Yönetmeliğine Uygundur.
AEEE Complies with Directive of Turkey.

Manufactured by:

Panasonic Connect Co., Ltd.
4-1-62 Minoshima, Hakata-ku, Fukuoka 812-8531, Japan

Importer:

Panasonic Connect Europe GmbH
Authorized Representative in EU:

Panasonic Testing Centre
Winsbergring 15, 22525 Hamburg, Germany

Importer for UK:

Panasonic Connect UK,
a branch of Panasonic Connect Europe GmbH,
Maxis 2, Western Road, Bracknell, Berkshire, RG12 1RT



Інформація для покупця

Виробник:	Panasonic Connect Co., Ltd.	Панасонік Коннект Ко., Лтд.
Адреса виробника:	Fukuoka, Japan	Фукуока Японія
Країна походження:	China	Китай

Імпортер:	ТОВ "ПАНАСОНІК УКРАЇНА ЛТД"
Адреса імпортера:	вул. Васильківська, буд. 30, м. Київ 03022, Україна

Примітки:

Термін служби виробу	7 років
----------------------	---------

Дата виготовлення може бути визначена за допомогою комбінації літер та цифр серійного номера, розташованого на продукті.

Приклад: X X XXXXXXX

Рік: остання цифра року (7 – 2017, 8 – 2018,...0 – 2020)

Місяць: А – Січень, В – Лютий... L – Грудень

This camera head is for use with the AG-MDR25 memory card portable recorder only. It cannot be connected to any device other than the AG-MDR25.

- Refer to the Operating Instructions of the AG-MDR25 memory card portable recorder and the leaflet supplied with it for information about how to use the Camera Head and the Recorder.

Note concerning illustrations in these instructions

- The illustrations in these instructions may differ from the actual product.

References

- References are shown as (→ 00).

Wiring, attaching and detaching require technical skills and experience. To ensure safety, ask the dealer from whom you purchased the product to perform these tasks.
Also, make sure the camera head option cable is securely connected.
For details, please refer to the Operating Instructions for the AG-MDR25 memory card portable recorder.

Contents

Information for Your Safety.....	3
Operating precautions	7
Accessories.....	8
Description of parts	9
About copyright	10
Specifications	12

Operating precautions

The camera head becomes warm during usage. This is not a defect.

Do not allow any water to get into the unit when using it in the rain or snow or at the beach.

- Failure to heed this caution will cause the unit to malfunction (and may result in irreparable damage).

Keep this unit as far away as possible from electromagnetic equipment (such as microwave ovens, TVs, video games etc.).

- If you use this unit on top of or near a TV, the pictures and/or sound on this unit may be disrupted by electromagnetic wave radiation.
- Do not use this unit near cell phones because doing so may result in noise adversely affecting the pictures and/or sound.
- Recorded data may be damaged, or pictures may be distorted, by strong magnetic fields created by speakers or large motors.
- Electromagnetic wave radiation generated by microprocessors may adversely affect this unit, disturbing the pictures and/or sound.
- If the camera head is so adversely affected that it does not operate normally, remove the recorder battery and AC adaptor, reconnect them and turn the power on again.

Do not use this unit near radio transmitters or high-voltage lines.

- If you record near radio transmitters or high-voltage lines, the recorded pictures and/or sound may be adversely affected.

Connection to the dedicated recorder AG-MDR25

- Always use a genuine Panasonic Camera head option cable (AG-C20003G (3 m (118-1/8 ")), AG-C20020G (20 m (787-3/8 ")): optional).

If using the unit at the beach or any place that is sandy or dusty, take care that sand and dust do not get inside the unit or on its terminals. Do not allow the unit to get wet with salt water, etc.

- Sand and dust can damage the unit.
- If the unit has come in contact with salt water, wipe with a cloth that has been well wrung out, then wipe with a dry cloth.

While the camera head and recorder are connected, do not carry them by holding only the camera head or cable.

- A strong load may be applied to the camera head or cable, resulting in damage.

If insect sprays or other volatile substances are being used in the area, take care that they do not come in contact with the unit.

- These can warp the unit or cause the finish to come off.
- Do not leave the unit in contact with rubber or PVC products for extended periods of time.

After use, turn off the power of the recorder, and then remove the camera head option cable.

Do not aim the lens at the sun or strong light.

- Doing so may cause your camera head to malfunction.

Caution regarding laser beams

- The image sensor may be damaged if it is subjected to light from a laser beam. When using the unit in locations where laser irradiation equipment is used, be careful not to allow the laser beam to shine directly on the lens.

Please use this unit at least 30 cm from surrounding walls.

Cleaning

When cleaning, do not use benzine or thinner.

- Using benzine or paint thinners may deform the camera head and/or cause the surface finish to peel off.

Cleaning procedure

- 1 Before proceeding, disconnect the camera head option cable from the camera head.
- 2 Use a soft, clean cloth to wipe the camera head. To remove stubborn dirt, wipe the camera head with a cloth moistened with neutral detergent and then use a dry cloth to take up the remaining moisture.
- 3 Use a cloth moistened in ethanol for disinfection and thoroughly wrung out to remove dust and dirt from the camera head.
- 4 Be sure to thoroughly dry the camera head after cleaning it with ethanol for disinfection.

Accessories

- **Lens cap**

(attached to the camera head)

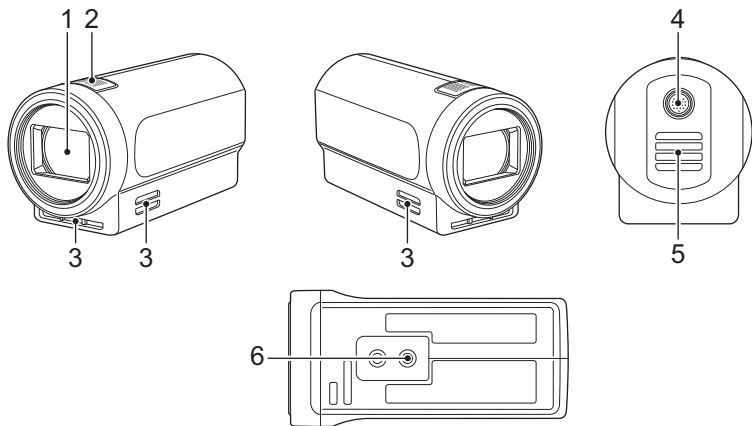


- **MC Protector**

Attach this to the front side of the lens before use to protect the lens. (→ 10)



Description of parts



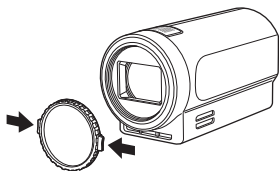
- 1 Lens
- 2 Built-in microphone
- 3 Air inlet
- 4 Camera head option cable connector
- 5 Air outlet
- 6 Tripod mounting hole

- There are tripod mounting hole that are compatible with 1/4-20UNC screws. Use the size that matches the diameter of the tripod's fixing screw.
- Attaching a tripod with a screw length of 6 mm (0.24 ") or more may damage the unit.

■ Attaching/removing the lens cap

Protect the lens surface with the lens cap while the unit is not used.

- Place your fingers in the recesses on the lens cap to hold it when attaching or removing it.

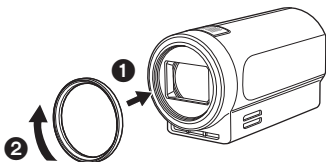


■ Attaching/removing the MC protector

(Attaching)

Rotate in the direction illustrated to attach.

- When attaching the MC protector, be sure to tighten its M49 mm screw firmly.
- Rotate in the reverse direction of the illustrated direction to remove.



- Check that the MC protector has been attached firmly with no tilting or wobbling.
- Insufficient tightening may cause the screw to loosen and fall off.

About copyright

■ Carefully observe copyright laws

IMPORTANT

“Unauthorized recording of copyrighted television programs, video tapes and other materials may infringe the right of copyright owners and be contrary to copyright laws.”

■ Licenses

- “AVCHD”, “AVCHD Progressive” and the “AVCHD Progressive” logo are trademarks of Panasonic Holdings Corporation and Sony Corporation.
- Dolby, Dolby Audio, and the double-D symbol are trademarks of Dolby Laboratories.
- The terms HDMI and HDMI High-Definition Multimedia Interface, and the HDMI Logo are trademarks or registered trademarks of HDMI Licensing Administrator, Inc. in the United States and other countries.
- Other names of systems and products mentioned in these instructions are usually the registered trademarks or trademarks of the manufacturers who developed the system or product concerned.

This product incorporates the following software:

- (1) the software developed independently by or for Panasonic Connect Co., Ltd.,
- (2) the software owned by third party and licensed to Panasonic Connect Co., Ltd.,
- (3) the software licensed under the GNU General Public License, Version 2.0 (GPL V2.0),
- (4) the software licensed under the GNU LESSER General Public License, Version 2.1 (LGPL V2.1), and/or
- (5) open source software other than the software licensed under the GPL V2.0 and/or LGPL V2.1.

The software categorized as (3) - (5) are distributed in the hope that it will be useful, but WITHOUT ANY WARRANTY, without even the implied warranty of MERCHANTABILITY or FITNESS FOR A PARTICULAR PURPOSE.

For details refer to the license conditions that can be displayed by following the method described in "Set from Web screen" → "Maintenance screen [Maintenance]" → "■ Product information tab [Product info.]" → "[OSS license display]" of the Operating Instructions (PDF format) for the AG-MDR25 memory card portable recorder.

At least three (3) years from delivery of this product, Panasonic will give to any third party who contacts us at the contact information provided below, for a charge no more than our cost of physically performing source code distribution, a complete machine-readable copy of the corresponding source code covered under GPL V2.0 or LGPL V2.1, as well as the respective copyright notice thereof.

Contact Information:

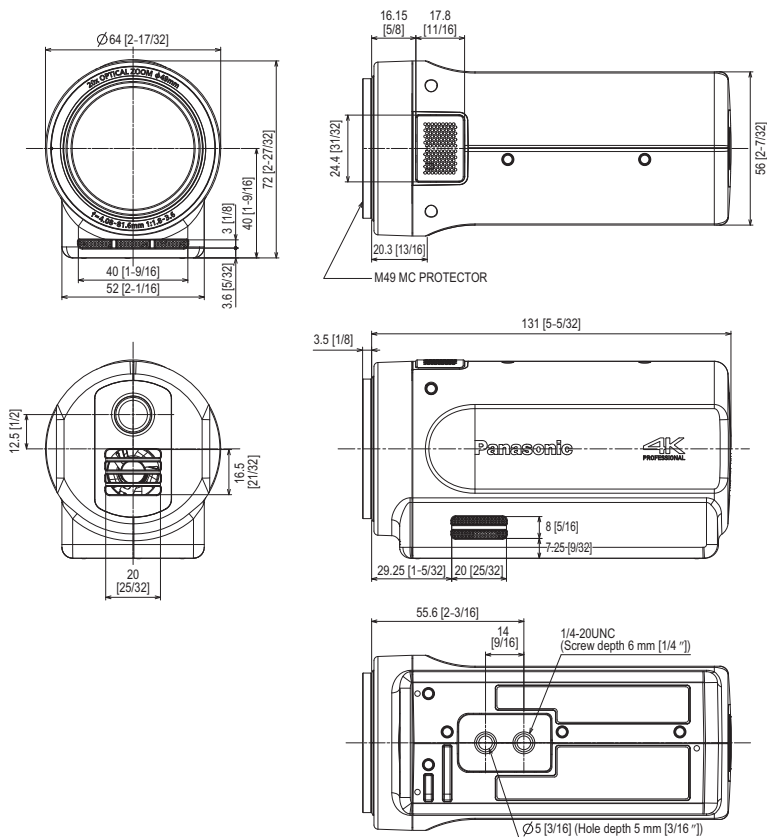
oss-cd-request@gg.jp.panasonic.com

The source code and the copyright notice are also available for free in our website below.
<https://panasonic.net/cns/oss/index.html>

Specifications

Compact Camera Head

Appearance (Unit: mm [inch])



General

(When connected to AG-MDR25)

Supply voltage:

DC (---) 9 V (unit: supplied by AG-MDR25)

Current consumption:

0.6 A

 indicates safety information.

Ambient operating temperature:

0 °C to 40 °C (32 °F to 104 °F)

Ambient operating humidity:

10%RH to 80%RH (no condensation)

Mass (Weight):

Approx. 325 g [Approx. 0.717 lbs.]

(main unit only, excluding MC protector)

Approx. 333 g [Approx. 0.734 lbs.]

(including MC protector)

Dimensions (W×H×D):

64 mm×72 mm×131 mm

[2-17/32 "×2-27/32 "×5-5/32 "]

(main unit only, excluding projecting parts)

64 mm×72 mm×134.5 mm

[2-17/32 "×2-27/32 "×5-9/32 "]

(including MC protector, excluding projecting parts)

Camera unit (when controlled with the dedicated recorder AG-MDR25)

Pickup device:

1/2.3-type MOS solid state image sensor

Number of pixels:

Total number of pixels;

4168×3062 (approx. 12760000 pixels)

Lens:

Optical image stabilizer lens, optical 20× motorized zoom

F value (focal length)

F1.8 to F3.6 (f=4.08 mm to 81.6 mm)

[5/32 " to 3-7/32 "]

35 mm conversion

29.5 mm to 612.0 mm*1

[1-5/32 " to 24-3/32 "]

Filter diameter; 49 mm

ND filter (built-in); CLEAR, 1/4, 1/16, 1/64

Minimum recording distance;

Entire zoom range; 1.5 m [4.9 feet],

Wide end; 3 cm [0.1 feet]

IR blocking filter;

Provided with the IR blocking filter on/off function

*1 When [HYBRID O.I.S. MODE] is set to [OFF]

Gain setting:

Auto*2, 0 dB to 30 dB (in 1 dB steps, Manual), 33 dB or 36 dB (with Super Gain)

*2 When Auto is set, a value between 3 dB and 30 dB (in 3 dB steps) can be selected in [AGC LIMIT]

White Balance:

ATW, ATW LOCK, AWB A, AWB B, P3200K, P5600K, VAR (2000K to 15000K)

Shutter speed:

When [SYSTEM FREQ] = [59.94Hz]

● 59.94i/59.94p mode;

1/60, 1/100, 1/120, 1/180, 1/250, 1/350, 1/500, 1/750, 1/1000, 1/1500, 1/2000, 1/3000, 1/4000, 1/8000 sec.

● 29.97p mode;

1/30, 1/50, 1/60, 1/100, 1/120, 1/180, 1/250, 1/350, 1/500, 1/750, 1/1000, 1/1500, 1/2000, 1/3000, 1/4000, 1/8000 sec.

● 23.98p mode;

1/24, 1/48, 1/50, 1/60, 1/100, 1/120, 1/180, 1/250, 1/350, 1/500, 1/750, 1/1000, 1/1500, 1/2000, 1/3000, 1/4000, 1/8000 sec.

When [SYSTEM FREQ] = [50.00Hz]

● 50.00i/50.00p mode;

1/50, 1/60, 1/100, 1/125, 1/180, 1/250, 1/350, 1/500, 1/750, 1/1000, 1/1500, 1/2000, 1/3000, 1/4000, 1/8000 sec.

● 25.00p mode;

1/25, 1/50, 1/60, 1/100, 1/125, 1/180, 1/250, 1/350, 1/500, 1/750, 1/1000, 1/1500, 1/2000, 1/3000, 1/4000, 1/8000 sec.

Slow shutter speed:

When [SYSTEM FREQ] = [59.94Hz]

- 59.94i/59.94p mode;
1/2, 1/4, 1/8, 1/15, 1/30 sec.
- 29.97p mode;
1/2, 1/4, 1/8, 1/15 sec.
- 23.98p mode;
1/2, 1/3, 1/6, 1/12 sec.

When [SYSTEM FREQ] = [50.00Hz]

- 50.00i/50.00p mode;
1/2, 1/3, 1/6, 1/12, 1/25 sec.
- 25.00p mode;
1/2, 1/3, 1/6, 1/12 sec.

Synchro scan shutter:

When [SYSTEM FREQ] = [59.94Hz]

- 59.94i/59.94p mode;
1/60.0 to 1/285.6 sec.
- 29.97p mode;
1/30.0 to 1/206.5 sec.
- 23.98p mode;
1/24.0 to 1/280.1 sec.

When [SYSTEM FREQ] = [50.00Hz]

- 50.00i/50.00p mode;
1/50.0 to 1/209.2 sec.
- 25.00p mode;
1/25.0 to 1/224.3 sec.

Minimum subject illumination:

Approx. 0.2 lx (Slow Shutter; 1/2, Gain; 36 dB)

Horizontal resolution

(typical value for the center area):

1300 TV lines (HDMI output; 2160/29.97p, 25.00p, during playback)
1000 TV lines (HDMI output; 1080/59.94p, 50.00p, during playback)

Zoom:

i.Zoom; 30x (HD)/22x (4K)
Digital zoom; 1.4x/2x/4x/6x/8x

Image Stabilizers:

O.I.S.(high-definition, 4K) / 5-Axis Hybrid
Image Stabilizer (high-definition)

Input/output**Audio:**

Input; Built-in microphone (2ch)

External terminal:

Connection terminal (for connection to the dedicated recorder AG-MDR25);
Dedicated 20-pin interface

The symbols on this product represent the following:

--- DC

Disposal of Old Equipment Only for European Union and countries with recycling systems



This symbol on the products, packaging, and/or accompanying documents means that used electrical and electronic products must not be mixed with general household waste.

For proper treatment, recovery and recycling of old products, please take them to applicable collection points in accordance with your national legislation.

By disposing of them correctly, you will help to save valuable resources and prevent any potential negative effects on human health and the environment. For more information about collection and recycling, please contact your local municipality, dealer or supplier. Penalties may be applicable for incorrect disposal of this waste, in accordance with national legislation.

WARNUNG:

Um die Gefahr eines Brandes, eines Stromschlages oder einer Beschädigung des Produktes zu reduzieren,

- Setzen Sie dieses Gerät weder Regen, noch Feuchtigkeit, Tropfen oder Spritzern aus.
- Stellen Sie keine mit Flüssigkeiten gefüllten Gefäße, wie Vasen, auf dieses Gerät.
- Verwenden Sie nur das empfohlene Zubehör.
- Entfernen Sie die Abdeckungen nicht.
- Reparieren Sie das Gerät nicht selbst. Wenden Sie sich zu diesem Zweck an qualifiziertes Kundendienstpersonal.

ACHTUNG!

Um die Gefahr eines Brandes, eines Stromschlages oder einer Beschädigung des Produktes zu reduzieren,

- Installieren oder positionieren Sie dieses Gerät nicht in einem Bücherregal, Einbauschränk oder einem sonstigen engen Raum. Stellen Sie eine gute Belüftung des Gerätes sicher.
- Achten Sie darauf, die Entlüftungsschlitze des Gerätes nicht durch Gegenstände aus Papier oder Stoff zu blockieren, z.B. Zeitungen, Tischdecken und Vorhänge.
- Stellen Sie keine Quellen offener Flammen, z.B. brennende Kerzen, auf das Gerät.

ACHTUNG:

Tragen Sie den Kamerakopf bei Befestigung an einem Stativ auf keinen Fall, indem Sie den Kamerakopf ergreifen.

Wenn ein Stativ am Kamerakopf befestigt ist, kann das zusätzliche Gewicht des Stativs anderenfalls einen Bruch des Kamerakopfes verursachen, so dass die Gefahr von Verletzungen besteht.

Ergreifen Sie daher unbedingt stets das Stativ, um den daran befestigten Kamerakopf zu tragen.

ACHTUNG:

Vermeiden Sie direkten Hautkontakt mit dem Gerät, wenn Sie das Gerät verwenden.

- Es besteht ein Verbrennungsrisiko, wenn die Haut über einen längeren Zeitraum mit einem Hochtemperaturbereich oder der erwärmten Luft aus den Entlüftungsschlitzen des Geräts Kontakt hat.

Bei längerer Verwendung der Ausrüstung das Stativ einsetzen.

 ist die Sicherheitsinformation.

■ Kennzeichnung für Produkterkennung

Die Produktkennzeichnung befindet sich auf der Unterseite des Geräts.

Dieses Gerät ist für den Betrieb in Regionen mit gemäßigttem und tropischem Klima bestimmt. (Nur Südostasien und Nahost)

Dieses Gerät ist für den Betrieb in Ländern mit gemäßigttem Klima bestimmt. (Außer Südostasien und Nahost)

Hergestellt von:
Panasonic Connect Co., Ltd.
4-1-62 Minoshima, Hakata-ku, Fukuoka 812-8531, Japan
Importeur:
Panasonic Connect Europe GmbH
Vertretungsberechtigter in der EU:
Panasonic Testing Centre
Winsbergring 15, 22525 Hamburg, Deutschland

Dieser Kamerakopf ist ausschließlich für den Betrieb mit dem tragbaren Speicherkarten-Rekorders AG-MDR25 bestimmt. Er kann an kein anderes Gerät als das Modell AG-MDR25 angeschlossen werden.

- Lesen Sie die Bedienungsanleitung des tragbaren Speicherkarten-Rekorders AG-MDR25 sowie die mitgelieferte Broschüre, um sich über die Verwendung von Kamerakopf und Rekorder zu informieren.

Hinweis zu den Abbildungen in dieser Anleitung

- Die Abbildungen in dieser Anleitung können vom tatsächlichen Produkt abweichen.

Kreuzverweise

- Verweise auf Bezugsseiten, die weitere Informationen enthalten, sind in Klammern gesetzt, beispielsweise „(→ 00)“.

Verkabelung, Montieren und Demontieren erfordern technische Kenntnisse und Erfahrung. Bitte überlassen Sie diese Arbeiten zur Gewährleistung der Sicherheit Ihrem Fachhändler. Überzeugen Sie sich außerdem, dass das Kamerakopf-Sonderzubehörkabel fest angeschlossen ist. Einzelheiten finden Sie in der Bedienungsanleitung des tragbaren Speicherkarten-Rekorders AG-MDR25.

Inhaltsverzeichnis

Sicherheitshinweise	15
Vorsichtshinweise zum Betrieb	17
Mitgeliefertes Zubehör	18
Beschreibung der Teile	19
Informationen zum Urheberrecht	20
Technische Daten	22

Vorsichtshinweise zum Betrieb

Der Kamerakopf erwärmt sich während des Betriebs. Dies ist normal; es handelt es sich dabei nicht um einen Defekt des Gerätes.

Sorgen Sie bei Betrieb dieses Gerätes im Regen, Schnee oder an einem Strand unbedingt dafür, dass kein Wasser in das Geräteinnere eindringen kann.

- Eine Missachtung dieser Maßregel führt zu einer Funktionsstörung des Gerätes (und kann einen nicht behebbaren Schaden verursachen).

Halten Sie dieses Gerät möglichst weit von elektromagnetischen Geräten (wie z.B. Mikrowellenherde, Fernseher, Videospiele usw.) entfernt.

- Wenn Sie dieses Gerät auf einem Fernseher oder in seiner Nähe verwenden, könnten die Bilder und/oder der Ton an diesem Gerät von der Abstrahlung der elektromagnetischen Wellen gestört werden.
- Verwenden Sie dieses Gerät nicht in Nähe von Mobiltelefonen, da dadurch ein nachteiliges Geräusch entstehen könnte, das die Bilder und/oder den Ton betrifft.
- Durch die starken Magnetfelder, die durch Lautsprecher oder starke Motoren erzeugt werden, kann es zu einer Beschädigung der Aufnahmen oder zu Bildstörungen kommen.
- Die von Mikroprozessoren generierte Abstrahlung der elektromagnetischen Wellen könnte dieses Gerät nachteilig betreffen und die Bilder und/oder den Ton stören.
- Wenn der Kamerakopf so stark gestört wird, dass er nicht mehr einwandfrei funktioniert, entfernen Sie den Akku aus dem Rekorder bzw. trennen Sie das Netzteil von der Netzsteckdose, setzen Sie den Akku wieder ein bzw. schließen Sie das Netzteil erneut an, und schalten Sie den Rekorder anschließend wieder ein.

Verwenden Sie dieses Gerät nicht in Nähe von Funkgeräten oder Hochspannungsleitungen.

- Wenn Sie in Nähe von Funkgeräten oder Hochspannungsleitungen aufnehmen, könnten die aufgenommenen Bilder und/oder der Ton nachteilig betroffen sein.

Verbindung mit dem speziellen Rekorder AG-MDR25

- Verwenden Sie für den Kamerakopf stets ein Originalkabel von Panasonic (AG-C20003G (3 m), AG-C20020G (20 m): Sonderzubehör).

Sorgen Sie bei Verwendung des Gerätes an einem Strand oder ähnlichen Ort sorgfältig dafür, dass kein Sand oder Staub in das Geräteinnere oder in die Buchsen eindringt.

Schützen Sie das Gerät sorgfältig vor Kontakt mit Meerwasser usw.

- Sand und Staub können eine Beschädigung des Gerätes verursachen.
- Wenn Meerwasser auf das Gerät gelangt ist, wischen Sie es mit einem gründlich ausgewungen feuchten Tuch ab, und reiben Sie anschließend mit einem trockenen Tuch nach.

Tragen Sie den Rekorder bei angeschlossenem Kamerakopf nicht ausschließlich am Kamerakopf oder Kamerakabel.

- Anderenfalls wird der Kamerakopf oder das Kamerakabel einer starken Belastung ausgesetzt, die eine Beschädigung zur Folge hat.

Falls Insektensprays oder andere leichtflüchtige Substanzen in der Nähe verwendet werden, sorgen Sie dafür, dass diese nicht in Kontakt mit dem Gerät kommen.

- Derartige Mittel können eine Verformung des Kamerakopfes verursachen oder das Finish angreifen.
- Lassen Sie das Gerät nicht längere Zeit über in Kontakt mit Gummi oder PVC-Produkten.

Schalten Sie den Rekorder nach Ende des Betriebs aus, und trennen Sie dann das Kamerakopf-Sonderzubehörkabel ab.

Richten Sie das Objektiv nicht auf die Sonne oder andere starke Lichtquellen.

- Anderenfalls kann es zu Fehlfunktionen beim Kamerakopf kommen.

Vorsichtshinweis zu Laserstrahlen

- Der Bildwandler kann beschädigt werden, wenn er dem Licht eines Laserstrahls ausgesetzt wird. Achten Sie bei Verwendung dieses Gerätes an einem Ort, an dem eine Laserstrahlung abgebende Ausrüstung in Betrieb ist, sorgfältig darauf, dass der Laserstrahl nicht direkt auf das Objektiv trifft.

Verwenden Sie dieses Gerät in mindestens 30 cm Abstand von Wänden.

Reinigung

Verwenden Sie auf keinen Fall Benzin oder Farbverdünner zur Reinigung.

- Benzin und Farbverdünner können eine Verformung des Kamerakopfes verursachen und/oder ein Abblättern des Oberflächenfinish verursachen.

Reinigungsvorgang

- 1 Bevor Sie fortfahren, trennen Sie das Kamerakopf-Sonderzubehörkabel vom Kamerakopf ab.
- 2 Verwenden Sie zum Reinigen des Kamerakopfes ein weiches, sauberes Tuch. Bei hartnäckigen Verschmutzungen verwenden Sie ein feuchtes Tuch mit Neutralreiniger und trocknen mit einem zweiten Tuch nach.
- 3 Verwenden Sie zum Desinfizieren und zum Entfernen von Staub und Schmutz vom Kamerakopf ein mit Ethanol befeuchtetes, gut ausgewrungenes Tuch.
- 4 Achten Sie darauf, den Kamerakopf gründlich abzutrocknen, wenn Sie ihn mit Ethanol gereinigt und desinfiziert haben.

Mitgeliefertes Zubehör

- **Objektivdeckel**

(am Kamerakopf befestigt)

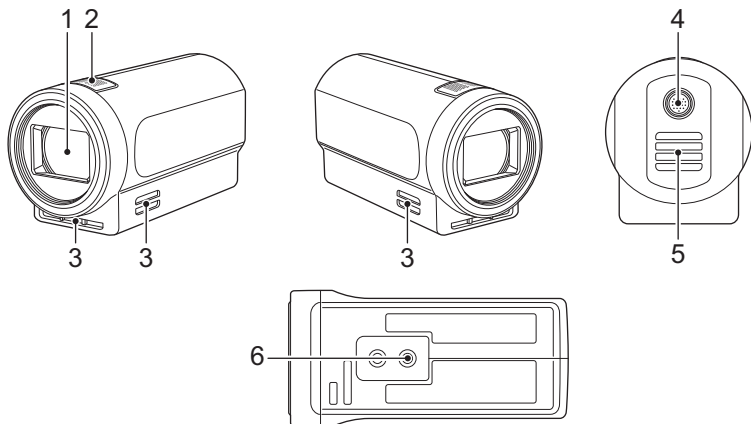


- **MC-Schutz**

Bringen Sie den Schutz vor Verwendung an der Vorderseite des Objektivs an, um die Linse zu schützen. (→ 20)



Beschreibung der Teile



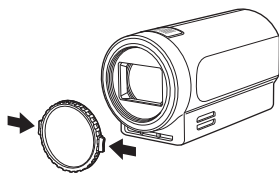
- 1 **Objektiv**
- 2 **Eingebautes Mikrofon**
- 3 **Lufteinlass**
- 4 **Kamerakopf- Sonderzubehörkabelbuchse**
- 5 **Luftauslass**
- 6 **Stativgewinde**

- Es sind Stativadapter-Bohrungen vorhanden, die mit 1/4-20UNC-Schrauben kompatibel sind. Verwenden Sie die Größe, die dem Durchmesser der Stativbefestigungsschraube entspricht.
- Das Anbringen eines Stativs mit einer Schraubenlänge von 6 mm oder mehr kann zur Beschädigung des Geräts führen.

■ Anbringen/Entfernen des Objektivdeckels

Schützen Sie die Linse mit dem Objektivdeckel, wenn das Gerät nicht verwendet wird.

- Platzieren Sie die Finger zum Halten in den Einsenkungen des Objektivdeckels, wenn Sie den Deckel anbringen oder entfernen.

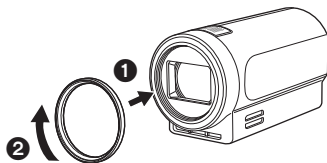


■ Anbringen/Entfernen des MC-Schutzes

(Anbringen)

Zum Anbringen in dargestellte Pfeilrichtung drehen.

- Achten Sie beim Anbringen des MC-Schutzes darauf, die M49 mm-Schraube fest anzuziehen.
- Drehen Sie den Schutz entgegen der Pfeilrichtung, um ihn zu entfernen.



- Vergewissern Sie sich, dass der MC-Schutz fest angebracht wurde und weder kippt noch wackelt.
- Wenn die Schraube nicht fest angezogen wurde, kann sie sich lösen und hinunterfallen.

Informationen zum Urheberrecht

■ Beachten Sie sorgfältig die Urheberrechte.

WICHTIG

“Das unbefugte Aufnehmen von urheberrechtlich geschützten Fernsehprogrammen, Videobändern und anderen Materialien kann das Urheberrecht verletzen und gegen die urheberrechtlichen Gesetze verstoßen.”

■ Lizenzen

- “AVCHD”, “AVCHD Progressive” und das “AVCHD Progressive”-Logo sind Markenzeichen von Panasonic Holdings Corporation und Sony Corporation.
- Dolby, Dolby Audio und das Doppel-D-Symbol sind Warenzeichen von Dolby Laboratories.
- Die Begriffe HDMI und HDMI High-Definition Multimedia Interface sowie das HDMI-Logo sind Marken oder eingetragene Marken von HDMI Licensing Administrator, Inc. in den Vereinigten Staaten und anderen Ländern.
- Andere in dieser Bedienungsanleitung erwähnten Namen von Systemen oder Produkten sind normalerweise Warenzeichen oder eingetragene Warenzeichen der Hersteller bzw. Entwickler der Systeme oder Produkte.

Dieses Produkt enthält die folgende Software:

- (1) unabhängig von oder für Panasonic Connect Co., Ltd. entwickelte Software,
- (2) Software, die Dritten gehört und an Panasonic Connect Co., Ltd. lizenziert ist,
- (3) Software, die unter GNU General Public License, Version 2.0 (GPL V2.0) lizenziert ist,
- (4) Software, die unter GNU LESSER General Public License, Version 2.1 (LGPL V2.1) lizenziert ist, und/oder
- (5) Andere Open Source Software, als die unter GPL V2.0 und/oder LGPL V2.1 lizenzierte.

Als (3) - (5) kategorisierte Software wird in der Hoffnung verbreitet, dass sie nützlich ist, aber OHNE JEGLICHE GARANTIE, sogar ohne die stillschweigenden Garantien der MARKTFÄHIGKEIT oder EIGNUNG FÜR EINEN BESTIMMTEN ZWECK.

Einzelheiten finden Sie in den Lizenzbedingungen, die Sie aufrufen können wie in der Bedienungsanleitung (PDF) des tragbaren Speicherkarten-Rekorders AG-MDR25 unter "Über Web-Bildschirm einrichten" → "Wartungsbildschirm [Maintenance]" → "■ Produktinformations-Registrierkarte [Product info.]" → "[OSS license display]" beschrieben.

Mindestens drei (3) Jahre ab Lieferung dieses Produkts stellt Panasonic allen Dritten, die sich über die nachstehenden Kontaktinformationen mit uns in Verbindung setzen, für einen Preis, der nicht mehr als unsere Kosten für die physische Erstellung der Quellcode-Distribution eine vollständig maschinenlesbare Kopie des entsprechenden unter GPL V2.0 oder LGPL V2.1 gedeckten Quellcodes einschließlich der jeweiligen Copyright-Vermerke zur Verfügung.

Kontaktinformationen:

oss-cd-request@gg.jp.panasonic.com

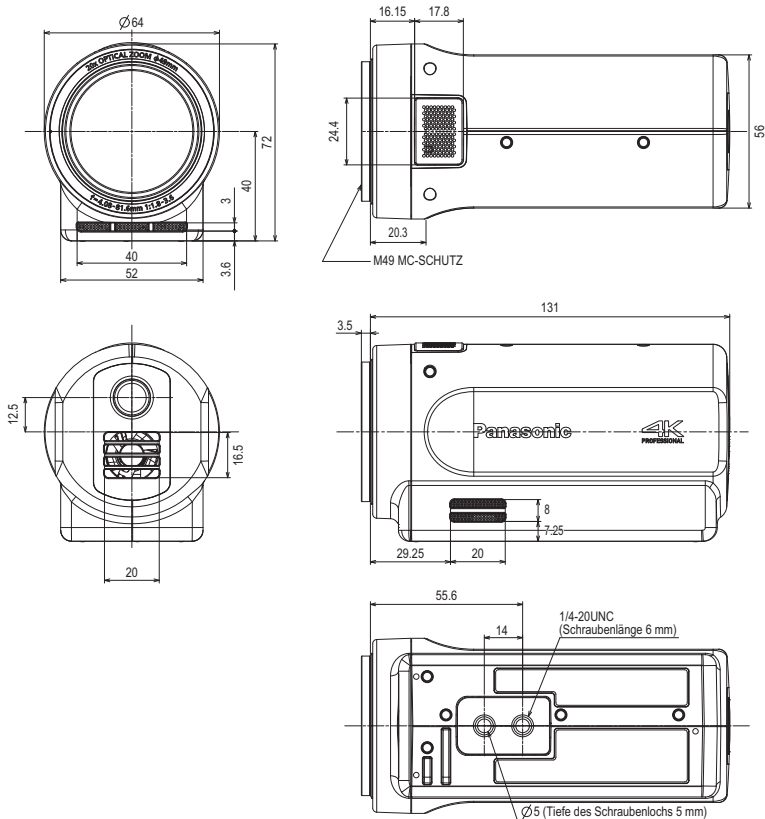
Der Quellcode und der Copyright-Vermerk stehen auch auf unserer unten genannten Website kostenlos zur Verfügung.

<https://panasonic.net/cns/oss/index.html>

Technische Daten

Kompakter Kamerakopf

Maßzeichnungen (Einheit: mm)



Allgemein

(Bei Anschluss an den AG-MDR25)

Versorgungsspannung:

9 V Gleichstrom (===)

(Speisung über AG-MDR25)

Gegenwärtiger Verbrauch:

0,6 A

 ist die Sicherheitsinformation.

Umgebungstemperatur (Betrieb):

0 °C bis 40 °C

Umgebungsluftfeuchtigkeit (Betrieb):

10%RH bis 80%RH (ohne
Kondenzwasserbildung)

Masse:

Ca. 325 g

(Nur Hauptgerät ohne MC-Schutz)

Ca. 333 g

(einschließlich MC-Schutz)

Abmessungen (B×H×T):

64 mm×72 mm×131 mm

(Nur Hauptgerät ohne hervorstehende Teile)

64 mm×72 mm×134,5 mm

(einschließlich MC-Schutz, ohne
hervorstehende Teile)

Kameraeinheit (bei Bedienung mit dem speziellen Rekorder AG-MDR25)

Aufnahmeeinheit:

MOS-Halbleiterbildsensor Typ 1/2,3

Anzahl der Pixel:

Gesamtzahl Pixel;

4168×3062 (ca. 12.760.000 Pixel)

Linse:

Objektiv mit optischem Bildstabilisator,
optischer 20×-Motorzoom

F-Wert (Schärfenlänge)

F 1.8 bis F3.6 (f=4,08 mm bis 81,6 mm)

35 mm-Umwandlung

29,5 mm bis 612,0 mm^{*1}

Filterdurchmesser; 49 mm

ND-Filter (integriert); CLEAR, 1/4, 1/16, 1/64

Mindestabstand beim Aufnehmen;

Gesamter Zoom-Bereich; 1,5 m,

Weitwinkel; 3 cm

IR-Filter;

Mit IR-Filter-Ein/Aus-Funktion

*1 Wenn [HYBRID O.I.S. MODE] auf [OFF]
eingestellt ist

Verstärkungseinstellung:

Auto^{*2}, 0 dB bis 30 dB (in Schritten von 1 dB,

manuell), 33 dB oder 36 dB (Mit Super-Verstärkung)

*2 Wenn Auto eingestellt ist, kann ein Wert
zwischen 3 dB und 30 dB (in Schritten
von 3 dB) in [AGC LIMIT] ausgewählt
werden.

Weißabgleich:

ATW, ATW LOCK, AWB A, AWB B, P3200K,

P5600K, VAR (2000K bis 15000K)

Verschlusszeit:

Wenn [SYSTEM FREQ] = [59.94Hz]

- 59.94i/59.94p-Modus;
1/60, 1/100, 1/120, 1/180, 1/250, 1/350,
1/500, 1/750, 1/1000, 1/1500, 1/2000,
1/3000, 1/4000, 1/8000 s.
- 29.97p-Modus;
1/30, 1/50, 1/60, 1/100, 1/120, 1/180, 1/250,
1/350, 1/500, 1/750, 1/1000, 1/1500, 1/2000,
1/3000, 1/4000, 1/8000 s.
- 23.98p-Modus;
1/24, 1/48, 1/50, 1/60, 1/100, 1/120, 1/180,
1/250, 1/350, 1/500, 1/750, 1/1000, 1/1500,
1/2000, 1/3000, 1/4000, 1/8000 s.

Wenn [SYSTEM FREQ] = [50.00Hz]

- 50.00i/50.00p-Modus;
1/50, 1/60, 1/100, 1/125, 1/180, 1/250,
1/350, 1/500, 1/750, 1/1000, 1/1500, 1/2000,
1/3000, 1/4000, 1/8000 s.
- 25.00p-Modus;
1/25, 1/50, 1/60, 1/100, 1/125, 1/180, 1/250,
1/350, 1/500, 1/750, 1/1000, 1/1500, 1/2000,
1/3000, 1/4000, 1/8000 s.

Langsame Verschlusszeit:

Wenn [SYSTEM FREQ] = [59.94Hz]

- 59.94i/59.94p-Modus;
1/2, 1/4, 1/8, 1/15, 1/30 s.
- 29.97p-Modus;
1/2, 1/4, 1/8, 1/15 s.
- 23.98p-Modus;
1/2, 1/3, 1/6, 1/12 s.

Wenn [SYSTEM FREQ] = [50.00Hz]

- 50.00i/50.00p-Modus;
1/2, 1/3, 1/6, 1/12, 1/25 s.
- 25.00p-Modus;
1/2, 1/3, 1/6, 1/12 s.

Synchro-Scan-Verschlusszeit:

Wenn [SYSTEM FREQ] = [59.94Hz]

- 59.94i/59.94p-Modus;
1/60.0 bis 1/285.6 s.
- 29.97p-Modus;
1/30.0 bis 1/206.5 s.
- 23.98p-Modus;
1/24.0 bis 1/280.1 s.

Wenn [SYSTEM FREQ] = [50.00Hz]

- 50.00i/50.00p-Modus;
1/50.0 bis 1/209.2 s.
- 25.00p-Modus;
1/25.0 bis 1/224.3 s.

Minimale Motivbeleuchtung:

Ca. 0,2 lx (lange Verschlusszeit; 1/2, Verstärkung; 36 dB)

Horizontale Auflösung

(Typischer Wert für den Mittenbereich):

1.300 TV-Linien (HDMI-Ausgang; 2160/29.97p, 25.00p, während der Wiedergabe)
1.000 TV-Linien (HDMI-Ausgang; 1080/59.94p, 50.00p, während der Wiedergabe)

Zoom:

i.Zoom; 30x (High Definition)/22x (4K)
Digitalzoom; 1.4x/2x/4x/6x/8x

Bildstabilisatoren:

O.I.S. (High Definition, 4K) / 5-Achsen-Hybrid-Bildstabilisator (High Definition)

Eingang/Ausgang

Audio:

Eingang; integriertes Mikrofon (2ch)

Externe Klemme:

Anschlussklemme (zum Anschließen des speziellen Rekorders AG-MDR25);
Spezielle 20-polige Schnittstelle

Die Symbole an diesem Produkt haben die folgenden Bedeutungen:

--- DC (Gleichstrom)

Entsorgung von Altgeräten Nur für die Europäische Union und Länder mit Recyclingsystemen



Dieses Symbol, auf den Produkten, der Verpackung und/oder den Begleitdokumenten, bedeutet, dass gebrauchte elektrische und elektronische Produkte nicht in den allgemeinen Hausmüll gegeben werden

dürfen.

Bitte führen Sie alte Produkte zur Behandlung, Aufarbeitung bzw. zum Recycling gemäß den gesetzlichen Bestimmungen den zuständigen Sammelpunkten zu.

Indem Sie diese Produkte ordnungsgemäß entsorgen, helfen Sie dabei, wertvolle Ressourcen zu schützen und eventuelle negative Auswirkungen auf die menschliche Gesundheit und die Umwelt zu vermeiden. Für mehr Informationen zu Sammlung und Recycling, wenden Sie sich bitte an Ihren örtlichen Abfallentsorgungsdienstleister, Händler oder Zulieferer.

Gemäß Landesvorschriften können wegen nicht ordnungsgemäßer Entsorgung dieses Abfalls Strafgerichte verhängt werden.

Précautions à prendre

AVERTISSEMENT :

Pour réduire les risques d'incendie, de choc électrique ou de dommage à l'appareil :

- N'exposez pas cet appareil à la pluie, à l'humidité, à l'égouttement ou aux éclaboussements.
- Ne placez sur l'appareil aucun objet rempli de liquide, comme par exemple des vases.
- Utilisez exclusivement les accessoires recommandés.
- Ne retirez pas les couvercles.
- N'essayez pas de réparer l'appareil vous-même. Confiez toute réparation à un technicien de service qualifié.

ATTENTION!

Pour réduire les risques d'incendie, de choc électrique ou de dommage à l'appareil :

- Ne pas installer ou placer cet appareil dans une bibliothèque, une armoire ou tout autre espace confiné. S'assurer que la ventilation de l'appareil est adéquate.
- Ne pas boucher les événements d'aération de l'appareil avec des journaux, nappes, rideaux ou autres objets similaires.
- Ne pas placer une source de flamme nue, comme une chandelle, sur cet appareil.


ATTENTION:

N'empoignez pas la tête de caméra pour la transporter lorsque le trépied est fixé. Le poids du trépied ajouté à celui de la tête de caméra peut faire qu'elle se casse et blesse l'utilisateur. Pour transporter la tête de caméra avec le trépied fixé, tenez ce dernier.

ATTENTION:

Ne mettez pas cet appareil en contact direct avec la peau lorsqu'il est en cours d'utilisation.

- Cela pourrait causer de légères brûlures si la peau est en contact direct avec les parties à température élevée de l'appareil ou avec l'air chaud provenant des ouvertures de ventilation de l'appareil.
- Quand vous utilisez l'appareil de façon prolongée, utilisez le trépied.

 indique des informations de sécurité.

CE QUI SUIT NE S'APPLIQUE QU'AU CANADA.

CAN ICES-003(B)/NMB-003(B)

■ Plaque signalétique

La Plaque Signalétique du Produit est située au bas de l'appareil.

Cet appareil est conçu pour être utilisé sous un climat tempéré et tropical. (Asie du Sud-Est, Moyen-Orient uniquement)

Cet appareil est conçu pour être utilisé sous un climat tempéré. (Sauf Asie du Sud-Est, Moyen-Orient)

■ Directives importantes

Avant d'utiliser l'appareil, lire attentivement les instructions qui suivent. Se conformer tout particulièrement aux avertissements inscrits sur l'appareil et aux consignes de sécurité indiquées ci-dessous. Conserver le présent manuel pour consultation ultérieure.

- 1) Lire attentivement ces instructions.
- 2) Conserver ces instructions.
- 3) Lire toutes les mises en garde.
- 4) Suivre toutes les instructions.
- 5) Ne pas utiliser cet appareil près d'une source d'eau.
- 6) Ne nettoyer qu'avec un chiffon sec.
- 7) Ne pas bloquer les événements d'aération. Installer l'appareil selon les instructions du fabricant.
- 8) Ne pas installer l'appareil près d'un appareil de chauffage tel qu'un radiateur, une cuisinière, un registre de chaleur ou tout dispositif émettant de la chaleur (y compris un amplificateur).
- 9) Pour des raisons de sécurité, ne pas modifier la fiche polarisée ou celle de mise à la terre. Une fiche polarisée est une fiche à deux lames, dont une plus large. Une fiche de mise à la terre est une fiche à deux lames avec une broche de masse. La lame plus large ou la broche de masse procure une protection accrue. Si ce genre de fiche ne peut être inséré dans une prise de courant, communiquer avec un électricien pour remplacer la prise.
- 10) S'assurer que le cordon est placé dans un endroit où il ne risque pas d'être écrasé, piétiné ou coincé. Faire particulièrement attention à ses extrémités de branchement, y compris sa fiche.
- 11) N'utiliser que les accessoires ou périphériques recommandés par le fabricant.
- 12) Ne placer l'appareil que dans une baie ou sur un support, trépied, gabarit d'installation, etc., recommandé par le fabricant ou vendu avec l'appareil. Le chariot sur lequel se trouve l'appareil doit être déplacé avec soin. Des arrêts brusques, l'utilisation d'une force excessive et des surfaces inégales peuvent entraîner la chute du chariot.
- 13) Débrancher cet appareil lors d'un orage ou en cas de non-utilisation prolongée.
- 14) Confier l'appareil à un technicien qualifié pour toute réparation : cordon d'alimentation ou fiche endommagé, liquide renversé ou objet tombé dans l'appareil, exposition à la pluie ou à une humidité excessive, mauvais fonctionnement ou échappement de l'appareil.



Fabriqué par:

Panasonic Connect Co., Ltd.

4-1-62 Minoshima, Hakata-ku, Fukuoka 812-8531, Japon

Importateur :

Panasonic Connect Europe GmbH

Représentant autorisé dans l'UE :

Panasonic Testing Centre

Winsbergring 15, 22525 Hambourg, Allemagne

Cette tête de caméra est destinée à être utilisée uniquement avec l'enregistreur portable de carte mémoire AG-MDR25. Elle ne peut pas être raccordée à un appareil autre que le AG-MDR25.

- Consultez le mode d'emploi de l'enregistreur portable de carte mémoire AG-MDR25 ainsi que le feuillet fourni avec celui-ci pour avoir des informations sur la manière d'utiliser la tête de caméra et l'enregistreur.

Remarque sur les illustrations de ce mode d'emploi

- Les illustrations contenues dans ce mode d'emploi peuvent être différentes du produit réel.

Renvois

- Les renvois sont indiqués sous la forme (→ 00).

Des connaissances techniques et de l'expérience sont nécessaires pour effectuer le câblage, le montage et le démontage. Par mesure de sécurité, confiez ces tâches à votre revendeur. Assurez-vous également que le câble de tête de caméra en option est fermement connecté. Pour avoir plus de détails, consultez le mode d'emploi de l'enregistreur portable de carte mémoire AG-MDR25.

Contenu

Précautions à prendre	25
Précautions à prendre pour l'utilisation	28
Accessoires	29
Description des éléments	30
À propos des droits d'auteur	31
Fiche technique	33

Précautions à prendre pour l'utilisation

La tête de caméra chauffe pendant l'utilisation. Il ne s'agit pas d'une défaillance.

Ne laissez pas l'eau pénétrer dans l'appareil lorsque vous l'utilisez sous la pluie ou la neige, ou encore à la plage.

- Le non-respect de cette mise en garde entraînera le dysfonctionnement de l'appareil (et pourrait être à l'origine de dommages irréparables).

Gardez cet appareil aussi loin que possible des appareils électromagnétiques (comme les fours à micro-onde, les téléviseurs, les consoles vidéo etc.).

- Si vous utilisez cet appareil au dessus ou près d'un téléviseur, les images et/ou le son de cet appareil peuvent être perturbés par les ondes électromagnétiques.
- N'utilisez pas cet appareil à proximité d'un téléphone cellulaire car cela pourrait entraîner des parasites nuisibles à l'image et/ou au son.
- Les données enregistrées peuvent être endommagées ou les images fixes peuvent être perturbées par des champs magnétiques puissants créés par des haut-parleurs ou de gros moteurs.
- Les ondes électromagnétiques émises par les microprocesseurs peuvent affecter cet appareil en perturbant l'image et/ou le son.
- Si la tête de caméra est affectée au point qu'elle ne fonctionne plus normalement, débranchez, puis rebranchez la batterie de l'enregistreur ou l'adaptateur secteur, et remettez la tête de caméra sous tension.

N'utilisez pas cet appareil à proximité d'un émetteur radio ou de lignes à haute tension.

- L'utilisation de l'appareil à proximité d'un émetteur radio ou de lignes à haute tension pourrait nuire à l'image et/ou au son.

Raccordement à l'enregistreur AG-MDR25 dédié

- Utilisez toujours un véritable câble de tête de caméra en option Panasonic (AG-C20003G (3 m (118-1/8 ")), AG-C20020G (20 m (787-3/8 ")): en option).

Si vous utilisez l'appareil à la plage ou dans un endroit sablonneux ou poussiéreux, veillez à ce que le sable et la poussière ne pénètrent pas à l'intérieur ni n'entrent en contact avec ses bornes. Ne laissez pas l'appareil être mouillé par de l'eau salée ou autre.

- Ils pourraient l'endommager.
- Si l'appareil est entré en contact avec de l'eau salé, essuyez-le avec un chiffon bien essoré, puis séchez avec un chiffon sec.

Lorsque la tête de caméra et l'enregistreur sont connectés, ne les transportez pas en tenant seulement la tête de caméra ou le câble.

- Une charge importante pourrait être exercée sur la tête de caméra ou le câble, et provoquer des dégâts.

Si des insecticides ou d'autres substances volatiles sont utilisés à proximité, veillez à ce qu'ils n'entrent pas en contact avec l'appareil.

- Ces produits risqueraient de le déformer ou de décoller son revêtement.
- Ne laissez pas l'appareil en contact avec des produits en caoutchouc ou en PVC pendant une période prolongée.

Après utilisation, mettez l'enregistreur hors tension, puis débranchez le câble de tête de caméra en option.

Ne pointez pas l'objectif vers le soleil ou une lumière forte.

- Ceci pourrait causer le dysfonctionnement de votre tête de caméra.

Mises en garde concernant les faisceaux laser

- Le capteur d'image risque d'être abîmé en cas d'exposition à la lumière d'un faisceau laser. Lors de l'utilisation de l'appareil dans un emplacement où sont utilisés des appareils à irradiation laser, évitez de laisser le faisceau laser éclairer directement l'objectif.

Veillez utiliser cet appareil à au moins 30 cm des murs.

Nettoyer

Pour nettoyer, n'utilisez ni benzine ni diluant.

- L'utilisation de benzine ou de diluant pour peinture peut déformer la tête de caméra et/ou décoller son revêtement.

Procédure de nettoyage

- 1 Avant de poursuivre, débranchez le câble de tête de caméra en option de la tête de caméra.
- 2 Utilisez un chiffon propre pour essuyer la tête de caméra. Pour retirer la saleté récalcitrante, frottez la tête de caméra avec un chiffon humide et un détergent neutre puis utilisez un chiffon sec pour retirer toute trace d'humidité.
- 3 Utilisez un chiffon imbibé d'éthanol et bien essoré pour désinfecter et retirer la poussière et les saletés de la tête de caméra.
- 4 Veillez à bien sécher la tête de caméra après l'avoir nettoyée avec de l'éthanol.

Accessoires

• Bouchon d'objectif

(monté sur la tête de caméra)

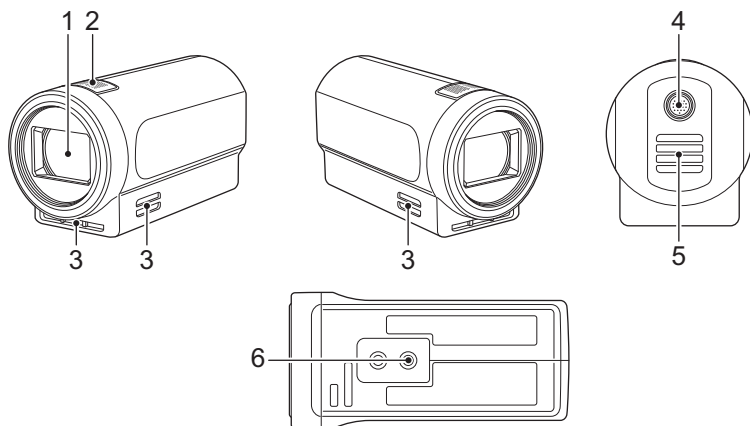


• Protecteur MC

Installez cela devant l'objectif avant utilisation pour protéger ce dernier. (→ 31)



Description des éléments



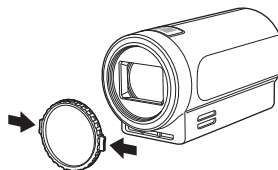
- 1 Objectif
- 2 Microphone intégré
- 3 Entrée d'air
- 4 Connecteur pour câble de tête de caméra en option
- 5 Sortie d'air
- 6 Orifice pour montage du trépied

- Il y a des trous de montage pour trépied compatibles avec les vis 1/4-20UNC. Utilisez la taille qui correspond au diamètre des vis de fixation du trépied.
- L'installation d'un trépied avec une vis ayant une longueur de 6 mm (0,24 ") ou plus peut endommager l'appareil.

■ Mise en place/retrait du capuchon d'objectif

Protéger la surface de l'objectif avec le capuchon d'objectif lorsque l'objectif n'est pas utilisé.

- Placer les doigts dans le renforcement du capuchon d'objectif pour le maintenir lors de sa mise en place ou de son retrait.

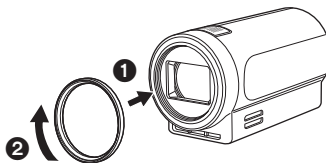


■ Mise en place/retrait du protecteur MC

(Mise en place)

Tournez dans le sens indiqué pour le mettre en place.

- En mettant en place le protecteur MC, assurez-vous de serrer sa vis M49 mm soigneusement.
- Tournez dans le sens inverse de celui indiqué pour le retirer.



- Vérifiez que le protecteur MC a été soigneusement mis en place et qu'il est bien droit et stable.
- Avec un serrage insuffisant la vis peut se détacher et tomber.

À propos des droits d'auteur

■ Respectez scrupuleusement les lois en matière de droits d'auteur

IMPORTANT

“L'enregistrement non autorisé de programmes de télévision, de cassettes vidéo et autres œuvres peuvent porter atteinte aux droits des titulaires des droits d'auteur et serait contraire aux lois sur le droit d'auteur.”

■ Licences

- “AVCHD”, “AVCHD Progressive” et le logo “AVCHD Progressive” sont des marques commerciales de Panasonic Holdings Corporation et de Sony Corporation.
- Dolby, Dolby Audio et le symbole double-D sont des marques déposées de Dolby Laboratories.
- Les termes HDMI et High-Definition Multimedia Interface et le logo HDMI sont des marques commerciales ou des marques déposées de HDMI Licensing Administrator, Inc. aux Etats Unis et dans d'autres pays.
- Les autres noms de systèmes et de produits mentionnés dans le présent mode d'emploi sont habituellement les marques déposées ou les marques commerciales des fabricants ayant développé le système ou le produit concerné.

Ce produit comprend les logiciels suivants :

- (1) le logiciel développé indépendamment par ou pour Panasonic Connect Co., Ltd.,
- (2) le logiciel appartenant à une tiers partie et sous licence Panasonic Connect Co., Ltd.,
- (3) le logiciel sous licence GNU General Public License, Version 2.0 (GPL V2.0),
- (4) le logiciel sous licence GNU LESSER General Public License, Version 2.1 (LGPL V2.1), et/ou
- (5) le logiciel open source autre que le logiciel sous licence GPL V2.0 et/ou LGPL V2.1.

Les logiciels catégorisés en tant que (3) - (5) sont distribués en espérant qu'ils seront utiles mais SANS AUCUNE GARANTIE, même tacite, de QUALITÉ MARCHANDE ou de PERTINENCE À DES FINS PARTICULIÈRES.

Pour avoir des détails, consultez les conditions de licence qui peut être affichée en suivant la méthode décrite dans "Réglage depuis la fenêtre Web" → "Écran de maintenance [Maintenance]" → "■ Onglet des informations du produit [Product info.]" → "[OSS license display]" du Mode d'emploi (format PDF) de l'enregistreur portable de carte mémoire AG-MDR25.

Pendant au moins trois (3) ans à compter de la livraison de ce produit, Panasonic donnera à tout tiers qui nous contactera aux coordonnées fournies, pour un tarif n'excédant pas le coût physique de la réalisation de la distribution du code source, une copie sous forme lisible par un ordinateur, du code source intégral correspondant sous couvert de la GPL V2.0 ou de la LGPL V2.1, ainsi que les notices des droits d'auteur correspondantes.

Contact :

oss-cd-request@gg.jp.panasonic.com

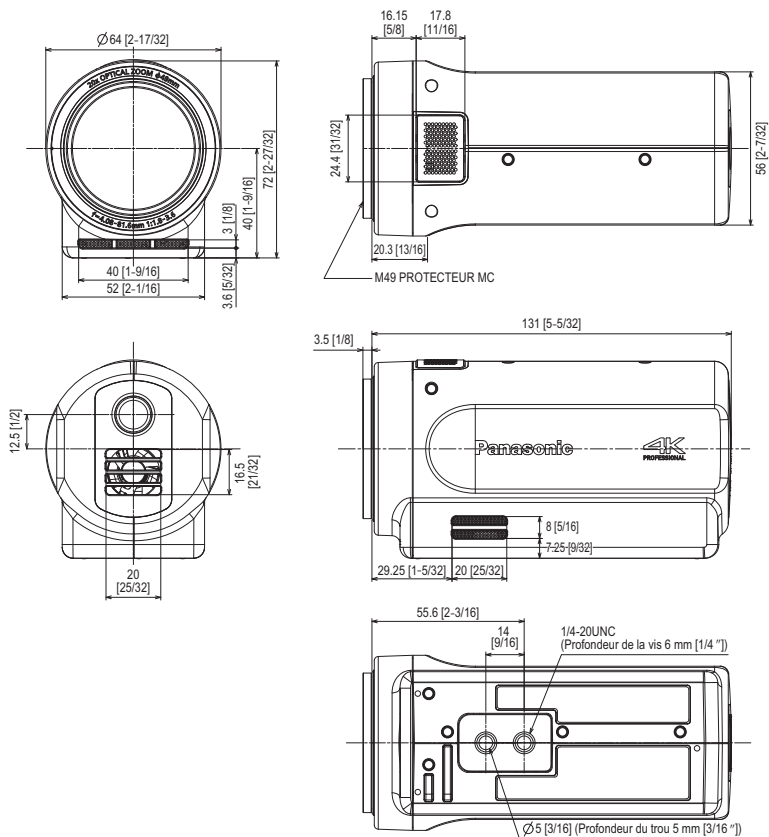
Le code source et la notice de droits d'auteur sont disponibles gratuitement sur notre site web suivant.

<https://panasonic.net/cns/oss/index.html>

Fiche technique

Tête de caméra compacte

Aspect extérieur (Unité: mm [pouce])



Généralités


(Lorsque l'appareil est raccordé au AG-MDR25)

Tension d'alimentation :

CC (---) 9 V (appareil: alimenté par l'AG-MDR25)

Current consumption :

0,6 A

 indique des informations de sécurité.

Température ambiante de fonctionnement :

0 °C à 40 °C (32 °F à 104 °F)

Humidité ambiante de fonctionnement :

10%RH à 80%RH (sans condensation)

Masse :

Environ 325 g [Environ 0,717 lbs.]

(Appareil principal uniquement, sans le protecteur MC)

Environ 333 g [Environ 0,734 lbs.]

(Avec le protecteur MC)

Dimensions (L×H×P) :

64 mm×72 mm×131 mm

[2-17/32 "×2-27/32 "×5-5/32 "]

(Appareil principal uniquement, parties saillantes exclues)

64 mm×72 mm×134,5 mm

[2-17/32 "×2-27/32 "×5-9/32 "]

(Avec le protecteur MC, parties saillantes exclues)

Caméra (lorsque contrôlée avec l'enregistreur dédié AG-MDR25)

Dispositif d'acquisition :

Captur d'image MOS état solide type 1/2,3

Nombre de pixels :

Nombre total de pixels;

4168×3062 (environ 12 760 000 pixels)

Objectif :

Objectif avec stabilisateur optique de l'image, zoom optique motorisé 20×

Valeur F (longueur focale)

F1.8 à F3.6 (f=4,08 mm à 81,6 mm)

[5/32 " à 3-7/32 "]

35 mm de conversion

29,5 mm à 612,0 mm**1

[1-5/32 " à 24-3/32 "]

Diamètre du filtre; 49 mm

Filtre neutre (incorporé);

CLEAR, 1/4, 1/16, 1/64

Distance d'enregistrement minimale;

Portée zoom totale; 1,5 m [4,9 pieds],

Extrémité grand-angle; 3 cm [0,1 pied]

Filtre de blocage IR;

Fourni avec la fonction marche/arrêt du

filtre de blocage IR

*1 Lorsque [HYBRID O.I.S. MODE] est paramétré sur [OFF]

Paramètre de gain :

Auto**2, 0 dB à 30 dB (par incréments de 1 dB, manuel), 33 dB ou 36 dB (avec Super Gain)

*2 Lorsque Auto est sélectionné, une valeur située entre 3 dB et 30 dB (par incréments de 3 dB) peut être sélectionnée dans [AGC LIMIT]

Balance des blancs :

ATW, ATW LOCK, AWB A, AWB B, P3200K, P5600K, VAR (2000K à 15000K)

Vitesse d'obturation :

Lorsque [SYSTEM FREQ] = [59.94Hz]

● Mode 59.94i/59.94p;

1/60, 1/100, 1/120, 1/180, 1/250, 1/350,

1/500, 1/750, 1/1000, 1/1500, 1/2000,

1/3000, 1/4000, 1/8000 sec.

● Mode 29.97p;

1/30, 1/50, 1/60, 1/100, 1/120, 1/180,

1/250, 1/350, 1/500, 1/750, 1/1000, 1/1500,

1/2000, 1/3000, 1/4000, 1/8000 sec.

● Mode 23.98p;

1/24, 1/48, 1/50, 1/60, 1/100, 1/120, 1/180,

1/250, 1/350, 1/500, 1/750, 1/1000, 1/1500,

1/2000, 1/3000, 1/4000, 1/8000 sec.

Lorsque [SYSTEM FREQ] = [50.00Hz]

- Mode 50.00i/50.00p;
1/50, 1/60, 1/100, 1/125, 1/180, 1/250,
1/350, 1/500, 1/750, 1/1000, 1/1500, 1/2000,
1/3000, 1/4000, 1/8000 sec.
- Mode 25.00p;
1/25, 1/50, 1/60, 1/100, 1/125, 1/180,
1/250, 1/350, 1/500, 1/750, 1/1000, 1/1500,
1/2000, 1/3000, 1/4000, 1/8000 sec.

Vitesse d'obturation lente :

Lorsque [SYSTEM FREQ] = [59.94Hz]

- Mode 59.94i/59.94p;
1/2, 1/4, 1/8, 1/15, 1/30 sec.
- Mode 29.97p;
1/2, 1/4, 1/8, 1/15 sec.
- Mode 23.98p;
1/2, 1/3, 1/6, 1/12 sec.

Lorsque [SYSTEM FREQ] = [50.00Hz]

- Mode 50.00i/50.00p;
1/2, 1/3, 1/6, 1/12, 1/25 sec.
- Mode 25.00p;
1/2, 1/3, 1/6, 1/12 sec.

Obturation balayage synchro :

Lorsque [SYSTEM FREQ] = [59.94Hz]

- Mode 59.94i/59.94p;
1/60.0 à 1/285.6 sec.
- Mode 29.97p;
1/30.0 à 1/206.5 sec.
- Mode 23.98p;
1/24.0 à 1/280.1 sec.

Lorsque [SYSTEM FREQ] = [50.00Hz]

- Mode 50.00i/50.00p;
1/50.0 à 1/209.2 sec.
- Mode 25.00p;
1/25.0 à 1/224.3 sec.

Éclairage minimum du sujet :

Environ 0,2 lx (Obturation lente; 1/2,
Gain; 36 dB)

Résolution horizontale

(Valeur typique de la zone centrale) :

1300 lignes TV (Sortie HDMI; 2160/29.97p,
25.00p, durant la lecture)
1000 lignes TV (Sortie HDMI; 1080/59.94p,
50.00p, durant la lecture)

Zoom :

i.Zoom; 30x (haute-définition)/22x (4K)
Zoom numérique; 1.4x/2x/4x/6x/8x

Stabilisateur de l'image :

S.O.I. (haute-définition, 4K) / Stabilisateur de
l'image Hybride 5 axes (haute-définition)

Entrée/Sortie

Son :

Entrée; Microphone intégré (2 canaux)

Prise externe :

Prise de raccordement (pour le raccordement
à l'enregistreur AG-MDR25 dédié);
Interface 20 broches dédiée

Les symboles présents sur ce produit indiquent
ce qui suit :

== CC

L'élimination des équipements usagés

Applicable uniquement dans les
pays membres de l'Union
européenne et les pays disposant
de systèmes de recyclage.



Apposé sur le produit lui-même, sur son emballage, ou figurant dans la documentation qui l'accompagne, ce pictogramme indique que appareils électriques et électroniques usagés, doivent être séparés des ordures ménagères.

Afin de permettre le traitement, la valorisation et le recyclage adéquats des appareils usagés, veuillez les porter à l'un des points de collecte prévus, conformément à la législation nationale en vigueur.

En les éliminant conformément à la réglementation en vigueur, vous contribuez à éviter le gaspillage de ressources précieuses ainsi qu'à protéger la santé humaine et l'environnement.

Pour de plus amples renseignements sur la collecte et le recyclage, veuillez vous renseigner auprès des collectivités locales, votre revendeur ou fournisseur.

Le non-respect de la réglementation relative à l'élimination des déchets est passible d'une peine d'amende.

Informazioni riguardanti la vostra sicurezza

AVVISO:

Per ridurre il rischio di incendi, scosse elettriche o danni al prodotto,

- Non esporre questa unità a pioggia, umidità, infiltrazioni o schizzi.
- Non collocare su questa unità oggetti riempiti di liquidi (ad esempio vasi).
- Utilizzate solo gli accessori consigliati.
- Non rimuovere le coperture.
- Non riparare da soli l'unità. Per la manutenzione rivolgersi a personale qualificato.

ATTENZIONE!

Per ridurre il rischio di incendi, scosse elettriche o danni al prodotto,

- Non installare o posizionare questa unità in uno scaffale, armadietto incassato o altro spazio ristretto. Accertarsi che l'unità sia sufficientemente ventilata.
- Non ostruire le prese d'aria dell'unità con giornali, tovaglie, tende o altri oggetti di simile natura.
- Non collocare sull'unità oggetti che generano una fiamma libera come, ad esempio, una candela accesa.

ATTENZIONE:

Non afferrare la testa camera per trasportarla quando è attaccato il treppiede. Quando il treppiede è attaccato, il suo peso viene aggiunto a quello della testa camera, con possibilità di rottura della testa camera e di un incidente all'utente. Trasportare la testa camera con il treppiede attaccato tenendola per il treppiede.

ATTENZIONE:

Non lasciare l'unità a contatto diretto con la pelle quando è in uso.

- Se una parte dell'unità con temperatura elevata o l'aria calda dalle aperture di ventilazione viene a contatto diretto con la pelle, questo può causare ustioni. Quando si usa a lungo l'unità, usare un supporto come un treppiede.

 sono le informazioni sulla sicurezza.

■ Marcatura d'identificazione

La marcatura d'identificazione del prodotto si trova nella parte inferiore dell'unità.

Questa unità è progettata per essere utilizzata in climi miti e tropicali. (Solo Sud-Est asiatico, Medio Oriente)

Questa unità è progettata per essere utilizzata in climi miti. (Tranne Sud-Est asiatico, Medio Oriente)

Fabbricato da:

Panasonic Connect Co., Ltd.

4-1-62 Minoshima, Hakata-ku, Fukuoka 812-8531, Giappone

Importatore:

Panasonic Connect Europe GmbH

Rappresentante autorizzato nell'UE:

Panasonic Testing Centre

Winsbergring 15, 22525 Amburgo, Germania

Questa testa camera va usata soltanto con il registratore portatile di schede di memoria AG-MDR25. Essa non può essere collegata ad alcun altro dispositivo diverso dall'AG-MDR25.

- Consultare le Istruzioni per l'uso del registratore portatile di schede di memoria AG-MDR25 e l'opuscolo fornito con esso per informazioni relative all'uso della Testa camera e del Registratore.

Nota riguardo alle illustrazioni in queste istruzioni

- Le illustrazioni riportate in queste istruzioni possono differire rispetto al prodotto vero e proprio.

Riferimenti

- I riferimenti sono mostrati come (→ 00).

Il modo di allacciare, attaccare e staccare richiede abilità tecnica ed esperienza. Per garantire la sicurezza, chiedere al rivenditore presso cui si è acquistato questo prodotto di eseguire queste operazioni.

Accertarsi anche che il cavo testa camera opzionale sia collegato saldamente.

Per maggiori dettagli, consultare le Istruzioni per l'uso del registratore portatile di schede di memoria AG-MDR25.

Contenu

Informazioni riguardanti la vostra sicurezza	36
Precauzioni per l'uso	38
Accessori	39
Descrizione delle parti	40
Informazioni relative al copyright	41
Dati tecnici	43

Precauzioni per l'uso

La testa camera diventa calda durante l'uso. Ciò non è un difetto.

Fare attenzione che l'acqua non penetri all'interno dell'unità quando viene usata sotto la pioggia, la neve o sulla spiaggia.

- La mancata osservanza di questa precauzione può causare un malfunzionamento dell'unità (e potrebbe causare un guasto irreparabile).

Tenere l'unità quanto più lontano possibile da apparecchi elettromagnetici (come forni a microonde, TV, videogiochi, ecc.).

- Se si utilizza l'unità sopra o vicino a un apparecchio TV, le immagini e/o i suoni di questa unità potrebbero essere disturbati dalle onde elettromagnetiche.
- Non utilizzare l'unità vicino a telefoni cellulari perché ciò potrebbe essere causa di disturbi alle immagini e/o ai suoni.
- I forti campi magnetici creati da altoparlanti o grandi motori possono danneggiare seriamente la registrazione e distorcere le immagini.
- Le onde elettromagnetiche generate da un microprocessore possono avere effetti negativi sull'unità, causando disturbi a immagini e/o suoni.
- Se la testa camera ha subito un influxo tale da non poter funzionare normalmente, rimuovere la batteria del registratore o l'alimentatore c.a., ricollegarli e riaccendere.

Non utilizzare l'unità vicino a trasmettitori radio o linee ad alta tensione.

- Se si registrano delle immagini vicino a trasmettitori radio o linee ad alta tensione, immagini e/o suoni potrebbero risultare disturbati.

Collegamento al registratore dedicato AG-MDR25

- Usare sempre un cavo testa camera opzionale originale Panasonic (AG-C20003G (3 m), AG-C20020G (20 m): opzionale).

Se si usa l'unità sulla spiaggia o in un qualsiasi altro posto dove c'è sabbia o polvere, fare attenzione che la sabbia e la polvere non penetrino nell'unità o nei suoi terminali. Fare attenzione che l'unità non si bagni con acqua salata, ecc.

- La sabbia e la polvere possono danneggiare l'unità.
- Se l'unità è venuta a contatto con l'acqua salata, asciugarla con un panno strizzato bene e usare poi un panno asciutto.

Quando la testa camera e il registratore sono collegati, non devono essere trasportati tenendoli soltanto per la testa camera o per il cavo.

- La testa camera o il cavo potrebbe subire una forte sollecitazione che li danneggia.

Se nelle vicinanze si usano insetticidi spray o altre sostanze volatili, fare attenzione che non vengano a contatto con l'unità.

- Essi possono deformare l'unità o scrostare la vernice di rifinitura.
- Non lasciare l'unità a contatto per lunghi periodi di tempo con oggetti di gomma o prodotti PVC.

Dopo l'uso, spegnere il registratore e rimuovere poi il cavo testa camera opzionale.

Non puntare l'obiettivo verso il sole o verso luce intensa.

- Questo può causare il malfunzionamento della testa camera.

Precauzione riguardo a raggi laser

- Si potrebbe danneggiare il sensore delle immagini se viene esposto alla luce di un raggio laser. Se si utilizza l'unità in luoghi dove viene usato un apparecchio di irradiazione laser, fare attenzione che il raggio laser non colpisca direttamente l'obiettivo.

Usare questa unità ad almeno 30 cm dalle pareti circostanti.

Pulizia

Per la pulizia, non usare benzina o solventi.

- Il benzina o i solventi per vernici potrebbero deformare la testa camera e/o scrostare la vernice di rifinitura.

Procedura di pulizia

- 1 Prima di procedere, scollegare il cavo testa camera opzionale dalla testa camera.
- 2 Usare un panno soffice pulito per pulire la testa camera. Per rimuovere la polvere ostinata, pulire la testa camera con un panno inumidito con detergente neutro e quindi usare un panno asciutto per rimuovere l'umidità residua.
- 3 Usare un panno inumidito con etanolo per la disinfezione e ben strizzato per rimuovere la polvere dalla testa camera.
- 4 Asciugare bene la testa camera dopo averla pulita con etanolo per la disinfezione.

Accessori

- **Tappo obiettivo**

(attaccato alla testa camera)

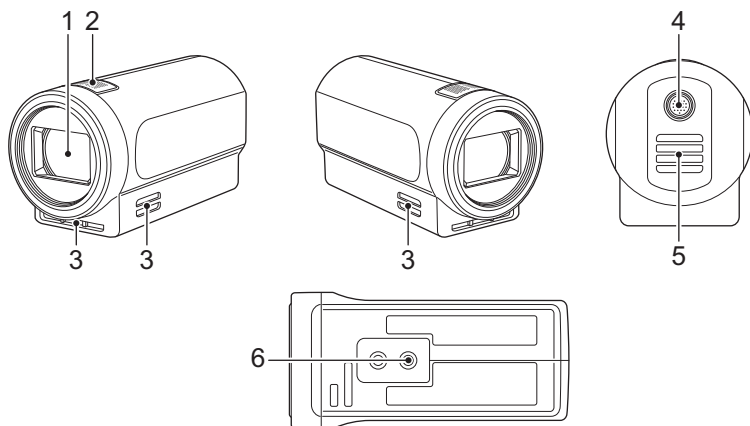


- **Protezione MC**

Collegarlo alla parte anteriore dell'obiettivo prima dell'uso per proteggerlo. (→ 41)



Descrizione delle parti



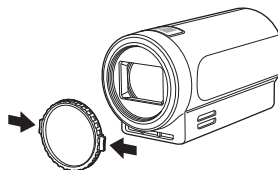
- 1 Obiettivo
- 2 Microfono incorporato
- 3 Ingresso aria
- 4 Connettore cavo testa camera opzionale
- 5 Uscita aria
- 6 Foro di montaggio treppiede

- Sono presenti fori di fissaggio del treppiede compatibili con viti 1/4-20UNC. Usare la dimensione che corrisponde al diametro della vite di fissaggio del treppiede.
- Se si utilizza una vite lunga 6 mm o più per fissare il treppiede, questa può danneggiare l'unità.

■ Installazione/disinstallazione del copriobiettivo

Proteggere la superficie dell'obiettivo con il copriobiettivo quando non si utilizza l'unità.

- Inserire le dita nelle scanalature del copriobiettivo per tenerlo durante il posizionamento o la rimozione.

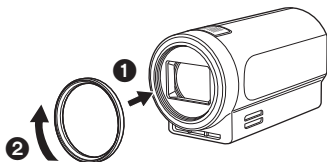


■ Installazione/disinstallazione del filtro di protezione MC

(Installazione)

Ruotare seguendo la direzione indicata nell'illustrazione per procedere all'installazione.

- Durante l'installazione del filtro di protezione MC, assicurarsi che la vite M49 mm sia saldamente serrata.
- Ruotare nella direzione opposta a quella indicata nell'illustrazione per procedere alla disinstallazione.



- Controllare che il filtro di protezione MC sia fissato saldamente, senza oscillazioni né spostamenti.
- Un serraggio insufficiente potrebbe determinare l'allentamento e la caduta della vite.

Informazioni relative al copyright

■ Rispetto delle leggi sul copyright

IMPORTANTE

“La registrazione non autorizzata di programmi televisivi, video e altri materiali protetti da diritto d'autore può costituire una violazione dei diritti spettanti ai titolari del diritto d'autore e delle leggi sul diritto d'autore.”

■ Licenze

- “AVCHD”, “AVCHD Progressive” e il logo “AVCHD Progressive” sono marchi commerciali di Panasonic Holdings Corporation e Sony Corporation.
- Dolby, Dolby Audio e il simbolo della doppia D sono marchi di Dolby Laboratories.
- I termini HDMI e High-Definition Multimedia Interface HDMI e il logo HDMI sono marchi o marchi registrati di HDMI Licensing Administrator, Inc. negli Stati Uniti e in altri paesi.
- Gli altri nomi di sistemi o prodotti menzionati nelle presenti istruzioni sono generalmente marchi registrati o marchi depositati dei produttori che hanno sviluppato detti sistemi o prodotti.

Questo prodotto include i seguenti software:

- (1) il software sviluppato indipendentemente da o per Panasonic Connect Co., Ltd.,
- (2) il software di proprietà di terzi e fornito in licenza a Panasonic Connect Co., Ltd.,
- (3) il software in licenza in base a GNU General Public License, Version 2.0 (GPL V2.0),
- (4) il software in licenza in base a GNU LESSER General Public License, Version 2.1 (LGPL V2.1), e/o
- (5) software open source diverso dal software in licenza GPL V2.0 e/o LGPL V2.1.

I software ai punti (3) - (5) sono distribuiti con la speranza che possano essere utili, ma SENZA ALCUNA GARANZIA, senza neanche la garanzia implicita di COMMERCIALIZZABILITÀ o di IDONEITÀ PER SCOPI PARTICOLARI.

Per maggiori informazioni consultare le condizioni di licenza che possono essere visualizzate seguendo il metodo descritto in "Imposta da schermata Web" → "Schermata Manutenzione [Maintenance]" → "■ Scheda Informazioni Prodotto [Product info.]" → "[OSS license display]" delle Istruzioni per l'uso (in formato PDF) per il registratore portatile di schede di memoria AG-MDR25.

Per almeno tre (3) anni dalla consegna di questo prodotto, Panasonic fornirà a qualsiasi terza parte che ci contatterà al recapito sotto riportato, per un costo non superiore ai nostri costi materiali di distribuzione del codice sorgente, una copia completa leggibile dal computer del codice sorgente corrispondente coperto da licenza GPL V2.0 o LGPL V2.1, così come la rispettiva notifica dei diritti d'autore e di marchio.

Recapito:

oss-cd-request@gg.jp.panasonic.com

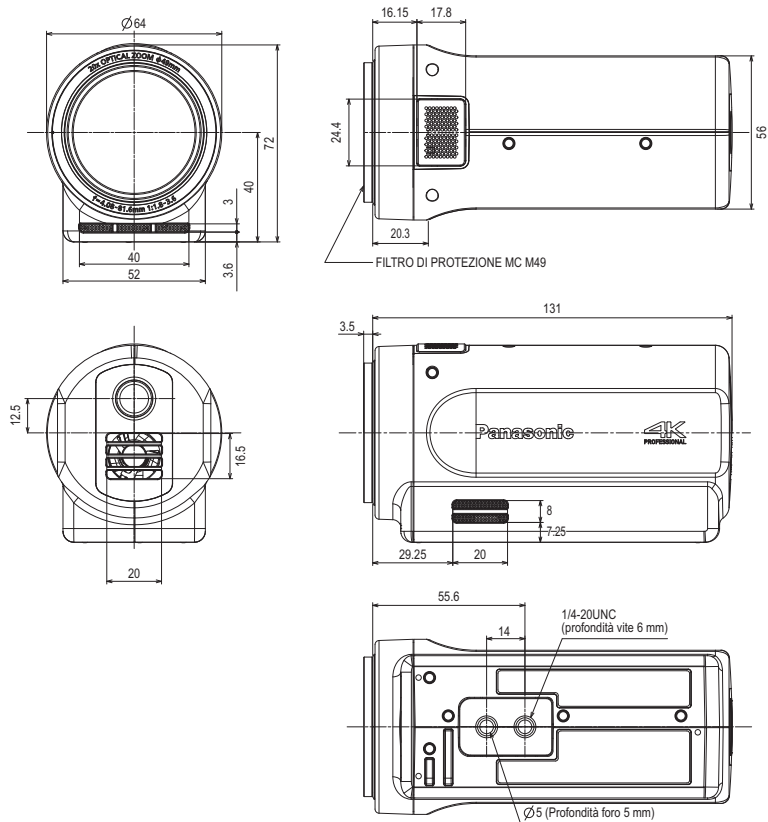
Il codice sorgente e la notifica dei diritti d'autore e di marchio sono disponibili gratuitamente anche sul nostro sito di seguito riportato.

<https://panasonic.net/cns/oss/index.html>

Dati tecnici

Testa camera compatta

Aspetto (Unità: mm)



Generale

(Quando collegata all'AG-MDR25)

Alimentazione:

C.c. (---) 9 V (unità: fornita dall'AG-MDR25)

Consumo di corrente:

0,6 A

 sono le informazioni sulla sicurezza.

Temperatura ambiente di funzionamento:

0 °C a 40 °C

Umidità ambiente di funzionamento:

da 10%RH a 80%RH (senza condensa)

Massa:

Circa 325 g

(solo unità principale, escluso il filtro di protezione MC)

Circa 333 g

(incluso il filtro di protezione MC)

Dimensioni (L×A×P):

64 mm×72 mm×131 mm

(solo unità principale, escluse le parti sporgenti)

64 mm×72 mm×134,5 mm

(incluso il filtro di protezione MC, escluse le parti sporgenti)

Unità videocamera

(quando controllata mediante il registratore dedicato AG-MDR25)

Sensore:

Sensore di immagine MOS solid state tipo 1/2,3

Numero di pixel:

Numero di pixel totale;

4168×3062 (circa 12.760.000 pixel)

Obiettivo:

Obiettivo con stabilizzatore di immagine ottico, zoom motorizzato ottico 20×

Valore F (lunghezza focale)

Da F1.8 a F3.6 (f=4,08 mm a 81,6 mm)

Conversione 35 mm

Da 29,5 mm a 612,0 mm*1

Diametro filtro; 49 mm

Filtro ND (incorporato); CLEAR, 1/4, 1/16, 1/64

Distanza minima di registrazione;

Range di zoom; 1,5 m,

Estremità grandangolo; 3 cm

Filtro IR;

Dotato di funzione on/off del filtro IR

*1 Quando [HYBRID O.I.S. MODE] è impostato su [OFF]

Impostazione guadagno:

Auto*2, da 0 dB a 30 dB (con incrementi di 1 dB, manuale), 33 dB o 36 dB (con Super Guadagno)

*2 Quando è impostato Auto, è possibile selezionare un valore compreso tra 3 dB e 30 dB (a incrementi di 3 dB) in [AGC LIMIT]

Bilanciamento del bianco:

ATW, ATW LOCK, AWB A, AWB B, P3200K,

P5600K, VAR (da 2000K a 15000K)

Velocità dell'otturatore:

Quando [SYSTEM FREQ] = [59.94Hz]

- Modalità 59.94i/59.94p;
1/60, 1/100, 1/120, 1/180, 1/250, 1/350, 1/500, 1/750, 1/1000, 1/1500, 1/2000, 1/3000, 1/4000, 1/8000 sec.
- Modalità 29.97p;
1/30, 1/50, 1/60, 1/100, 1/120, 1/180, 1/250, 1/350, 1/500, 1/750, 1/1000, 1/1500, 1/2000, 1/3000, 1/4000, 1/8000 sec.
- Modalità 23.98p;
1/24, 1/48, 1/50, 1/60, 1/100, 1/120, 1/180, 1/250, 1/350, 1/500, 1/750, 1/1000, 1/1500, 1/2000, 1/3000, 1/4000, 1/8000 sec.

Quando [SYSTEM FREQ] = [50.00Hz]

- Modalità 50.00i/50.00p;
1/50, 1/60, 1/100, 1/125, 1/180, 1/250, 1/350, 1/500, 1/750, 1/1000, 1/1500, 1/2000, 1/3000, 1/4000, 1/8000 sec.
- Modalità 25.00p;
1/25, 1/50, 1/60, 1/100, 1/125, 1/180, 1/250, 1/350, 1/500, 1/750, 1/1000, 1/1500, 1/2000, 1/3000, 1/4000, 1/8000 sec.

Velocità otturatore lenta:

Quando [SYSTEM FREQ] = [59.94Hz]

- Modalità 59.94i/59.94p;
1/2, 1/4, 1/8, 1/15, 1/30 sec.
- Modalità 29.97p;
1/2, 1/4, 1/8, 1/15 sec.
- Modalità 23.98p;
1/2, 1/3, 1/6, 1/12 sec.

Quando [SYSTEM FREQ] = [50.00Hz]

- Modalità 50.00i/50.00p;
1/2, 1/3, 1/6, 1/12, 1/25 sec.
- Modalità 25.00p;
1/2, 1/3, 1/6, 1/12 sec.

Otturatore scansioni sincronizzata:

Quando [SYSTEM FREQ] = [59.94Hz]

- Modalità 59.94i/59.94p;
1/60.0 a 1/285.6 sec.
- Modalità 29.97p;
1/30.0 a 1/206.5 sec.
- Modalità 23.98p;
1/24.0 a 1/280.1 sec.

Quando [SYSTEM FREQ] = [50.00Hz]

- Modalità 50.00i/50.00p;
1/50.0 a 1/209.2 sec.
- Modalità 25.00p;
1/25.0 a 1/224.3 sec.

Illuminazione minima del soggetto:

Circa 0,2 lx (Otturatore lento; 1/2,
Guadagno; 36 dB)

Risoluzione orizzontale

(valore tipico per l'area centrale):

1300 linee TV (uscita HDMI; 2160/29.97p,
25.00p, durante riproduzione)

1000 linee TV (uscita HDMI: 1080/59.94p,
50.00p, durante riproduzione)

Zoom:

i.Zoom; 30x (alta definizione)/22x (4K)

Zoom digitale; 1.4x/2x/4x/6x/8x

Stabilizzatore di immagine:

O.I.S.(alta definizione, 4K) / Stabilizzatore di
immagine ibrido a 5 assi (alta definizione)

Ingresso/uscita

Audio:

Ingresso; microfono incorporato (2 canali)

Terminale esterno:

Terminale di collegamento (per il collegamento
al registratore dedicato AG-MDR25);
Interfaccia a 20 pin dedicata

I simboli su questo prodotto rappresentano
quanto segue:

--- CC

Smaltimento di vecchie apparecchiature Solo per Unione Europea e Nazioni con sistemi di raccolta e smaltimento



Questo simbolo sui
prodotti, sull'imballaggio
e/o sulle documentazioni
o manuali accompagnanti
i prodotti indica che i
prodotti elettrici, elettronici
non devono essere buttati
nei rifiuti domestici
generici.

Per un trattamento adeguato, recupero e
riciclaggio di vecchi prodotti vi invitiamo a
portarli negli appositi punti di raccolta
secondo la legislazione vigente nel vostro
paese.

Con uno smaltimento corretto, contribuirete
a salvare importanti risorse e ad evitare i
potenziali effetti negativi sulla salute umana
e sull'ambiente.

Per ulteriori informazioni su raccolta e
riciclaggio, vi invitiamo a contattare il vostro
comune, rivenditore o fornitore.

Lo smaltimento non corretto di questi rifiuti
potrebbe comportare sanzioni in accordo
con la legislazione nazionale.

Información para su seguridad

ADVERTENCIA:

Para reducir el riesgo de incendio, de descarga eléctrica, o de daño del producto,

- No exponga esta unidad a la lluvia, humedad, goteo o salpicaduras.
- No ubique los objetos llenos con líquido, como floreros, sobre esta unidad.
- Use solamente los accesorios recomendados.
- No retire las tapas.
- No repare esta unidad usted mismo. Consulte la reparación del personal de servicio calificado.

¡ATENCIÓN!

Para reducir el riesgo de incendio, de descarga eléctrica, o de daño del producto,

- No instale o coloque esta unidad en una estantería, en un armario empotrado o en cualquier otro espacio reducido. Asegúrese de que la unidad esté correctamente ventilada.
- No obstaculice las aberturas de ventilación de la unidad con periódicos, manteles, cortinas u objetos similares.
- No coloque fuentes de llamas libres, como velas encendidas, en esta unidad.

ATENCIÓN:

No sujete el cabezal de cámara para llevarlo mientras está colocado el trípode. Cuando esté colocado el trípode, su peso se añadirá al del cabezal de cámara, y es posible que el cabezal de cámara se rompa y lesione al usuario. Para llevar el cabezal de cámara mientras está colocado el trípode, sujete el trípode.

ATENCIÓN:

No deje la unidad en contacto directo con la piel mientras está en uso.

- Si se deja la piel en contacto directo con las partes a altas temperaturas de la unidad o con el aire caliente de las aberturas de ventilación de la misma, podrían producirse quemaduras.

Cuando utiliza el equipo durante largos periodos de tiempo, use el trípode.

 indica información de seguridad.

■ Placa de identificación de los productos

La placa de identificación de los productos se encuentra en la parte inferior de la unidad.

Esta unidad está destinada a ser usada en climas moderados y tropicales. (Únicamente Sudeste asiático y Oriente Medio)

Esta unidad está destinada a ser usada en climas moderados. (Excepto Sudeste asiático y Oriente Medio)

■ INSTRUCCIONES DE SEGURIDAD IMPORTANTES

Lea atentamente estas instrucciones de funcionamiento antes de usar la unidad. Siga las instrucciones de seguridad en la unidad y las instrucciones de seguridad aplicables que se mencionan abajo. Guarde a mano estas instrucciones de funcionamiento para consultarlas en el futuro.

- 1) Lea estas instrucciones.
- 2) Guarde estas instrucciones.
- 3) Cumpla con todas las advertencias.
- 4) Siga todas las instrucciones.
- 5) No use este aparato cerca del agua.
- 6) Limpie solamente con un paño seco.
- 7) No bloquee las aperturas de ventilación. Instale de acuerdo con las instrucciones del fabricante.
- 8) No instale cerca de fuentes de calor como radiadores, registros de calor, estufas u otros aparatos (inclusive amplificadores).
- 9) No reduzca el propósito de seguridad del enchufe polarizado o con descarga a tierra. Un enchufe polarizado tiene dos aspas, una más ancha que la otra. Un enchufe con descarga a tierra tiene dos aspas y una tercera espiga de conexión a tierra. El aspa ancha o la tercera espiga se proporcionan para su seguridad. Si el enchufe suministrado no entra en su tomacorriente, consulte a un electricista para reemplazar el tomacorriente obsoleto.

- 10) Proteja el cable para que no lo pisen o lo doblen particularmente en los enchufes, tomas de corriente y el punto donde sale del aparato.
- 11) Use solamente accesorios especificados por el fabricante.
- 12) Use solamente con el carro, pedestal, trípode, soporte o mesa especificados por el fabricante o que se venden con el aparato. Cuando se usa un carro, tenga cuidado al mover la combinación del carro y el aparato para evitar lesiones debido a una caída.
- 13) Desenchufe este aparato durante tormentas eléctricas o cuando no se usa durante largos períodos de tiempo.
- 14) Derive la reparación al personal de servicio calificado. La reparación se requiere cuando el aparato se dañó de alguna forma, como un cable de alimentación o enchufe dañado, líquido derramado u objetos que cayeron sobre el aparato, si el aparato se expuso a lluvia o humedad, si no funciona normalmente o si se cayó.



Fabricado por:
Panasonic Connect Co., Ltd.
4-1-62 Minoshima, Hakata-ku, Fukuoka 812-8531, Japón
Importador:
Panasonic Connect Europe GmbH
Representante Autorizado para la UE:
Panasonic Testing Centre
Winsbergring 15, 22525 Hamburgo, Alemania

Este cabezal de cámara ha sido diseñado para ser usado sólo con el grabador portátil de tarjetas de memoria AG-MDR25. No se puede conectar a ningún otro aparato que no sea el AG-MDR25.

- Consulte las Instrucciones de funcionamiento del grabador portátil de tarjetas de memoria AG-MDR25 y el folleto suministrado con ella para información sobre cómo usar el cabezal de cámara y la grabadora.

Nota acerca de las ilustraciones de estas instrucciones

- Las ilustraciones en estas instrucciones pueden ser diferentes al producto real.

Referencias

- Las referencias se muestran como (→ 00).

Para hacer la instalación eléctrica, para colocar el cabezal de cámara en una pared o techo y para separarlo de los mismos, se necesitan conocimientos técnicos y experiencia. Para garantizar la seguridad, solicite al concesionario a quien adquirió el producto que haga estas tareas. Además, asegúrese de que el cable opcional para cabezal de cámara esté bien conectado.

Para ampliar la información, consulte las Instrucciones de funcionamiento de la grabador portátil de tarjetas de memoria AG-MDR25.

Índice

Información para su seguridad	46
Precauciones para el funcionamiento	49
Accesorios	50
Descripción de las partes	51
Acerca de los derechos de autor	52
Especificaciones.....	54

Precauciones para el funcionamiento

El cabezal de cámara se calienta durante su uso. Esto no es ningún defecto.

No permita que entre agua en la unidad cuando la usa bajo la lluvia o la nieve o en una playa.

- Si no se presta atención a este aviso, la unidad puede funcionar mal (y puede dañarse irreparablemente).

Mantenga esta unidad lo más alejada posible del equipo electromagnético (como hornos microondas, TV, video juegos, etc.).

- Si usa esta unidad arriba o cerca de un TV, es posible que las imágenes y/o sonidos en esta unidad se distorsionen debido a la radiación de ondas electromagnéticas.
- No use esta unidad cerca de teléfonos celulares porque al hacerlo se puede crear un ruido que afecta adversamente las imágenes y/o el sonido.
- Los campos magnéticos fuertes creados por altavoces o motores grandes pueden dañar las grabaciones y distorsionar las imágenes.
- La radiación de ondas electromagnéticas generada por microprocesadores puede afectar adversamente esta unidad, distorsionando las imágenes y/o el sonido.
- Si el cabezal de cámara está tan afectado que no funciona normalmente, retire la batería o el adaptador de CA del grabador, vuelva a conectarlos y luego conecte de nuevo la alimentación.

No use esta unidad cerca de transmisores de radio o líneas de alto voltaje.

- Si graba cerca de transmisores de radio o líneas de alto voltaje, es posible que se afecten adversamente las imágenes y/o el sonido grabados.

Conexión a la grabadora específica AG-MDR25

- Utilice siempre un cable opcional para cabezal de cámara Panasonic (AG-C20003G (3 m (118-1/8")), AG-C20020G (20 m (787-3/8"))): opcional.

Si usa la unidad en la playa o en cualquier lugar que tenga arena o polvo, tenga cuidado para que estas sustancias no entren en la unidad ni en sus terminales. No permita que la unidad se moje con agua salada, etc.

- La arena y el polvo pueden dañar la unidad.
- Si la unidad ha entrado en contacto con agua salada, límpiela pasando un paño un paño bien escurrido y luego pasando un paño seco.

Mientras el cabezal de cámara y el grabador están conectados, no los lleve sujetando sólo el cabezal o el cable.

- Al cabezal de cámara o al cable se les puede aplicar una carga pesada y éstos podrían dañarse.

Si se usan aerosoles contra insectos u otras sustancias volátiles en el área, tenga cuidado de que éstos no entren en contacto con la unidad.

- Éstos puede deformar la unidad o hacer que se desprenda el acabado.
- No deje la unidad en contacto con productos de goma o cloruro de polivinilo durante mucho tiempo.

Después del uso, apague el grabadora y desconecte el cable opcional para cabezal de cámara.

No apunte la lente hacia el sol o luces intensas.

- Hacerlo podría provocar que el cabezal de cámara fallara.

Cuidados relacionados con los rayos láser

- El sensor de imagen se puede dañar si se expone a la luz de un rayo láser.
Cuando use la unidad en lugares donde se emplean equipos que irradian rayos láser, tenga cuidado para evitar que el rayo láser se dirija directamente al objetivo.

Utilice esta unidad a al menos 30 cm de las paredes circundantes.

Limpieza

Cuando limpie, no use bencina ni diluyente.

- La bencina o los diluyentes de pintura pueden deformar el cabezal de cámara y/o hacer que se desprenda el acabado.

Procedimiento de limpieza

- 1 Antes de proceder, desconecte el cable opcional de cabezal de cámara del cabezal de cámara.
- 2 Utilice un paño suave y limpio para limpiar el cabezal de cámara. Para limpiar la suciedad incrustada, limpie el cabezal de cámara con un paño humedecido con detergente neutro y después utilice un paño seco para quitar la humedad restante.
- 3 Para quitar el polvo y la suciedad del cabezal de cámara, utilice un paño humedecido con etanol para desinfectar y escúrralo bien.
- 4 Asegúrese de secar minuciosamente el cabezal de cámara después de limpiarlo con etanol para desinfectar.

Accesorios

● Tapa de objetivo

(colocada en el cabezal de cámara)

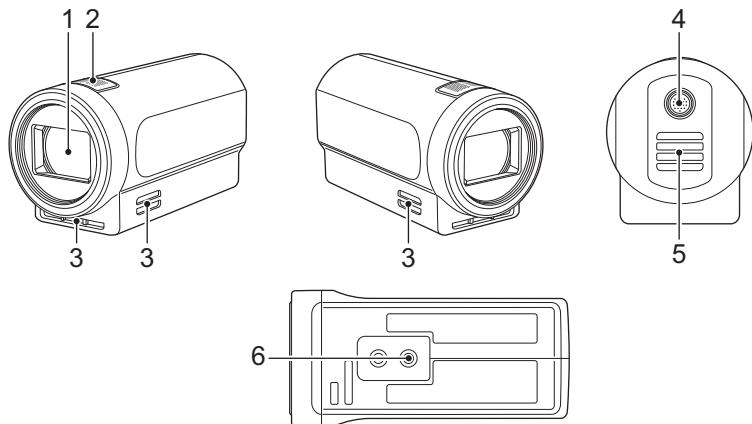


● Protector MC

Colóquelo en la parte frontal de la lente antes del uso para proteger la lente. (→ 52)



Descripción de las partes



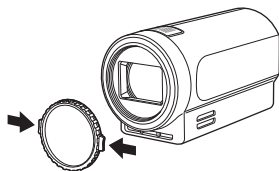
- 1 Objetivo
- 2 Micrófono incorporado
- 3 Entrada de aire
- 4 Conector de cable opcional para cabezal de cámara
- 5 Salida de aire
- 6 Agujero de montaje de trípode

- Hay orificios del soporte para trípode que son compatibles con los tornillos 1/4-20UNC. Use el tamaño que coincida con el diámetro del tornillo de fijación del trípode.
- El acoplamiento de un trípode con un tornillo de 6 mm (0,24 ") de longitud, o superior, puede dañar el dispositivo.

■ Instalación/desinstalación de la tapa del objetivo

Proteja la superficie de la lente con la tapa cuando no utilice la unidad.

- Coloque los dedos en los huecos de la tapa de la lente para sujetarla mientras la instala o la retira.

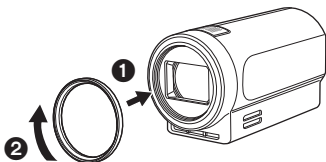


■ Instalación/desinstalación del protector MC

(Instalación)

Girar en la dirección ilustrada para instalarlo.

- Cuando instale el protector MC, asegúrese de apretar firmemente su tornillo M49 mm.
- Girar en la dirección contraria de la ilustrada para desinstalarlo.



- **Comprobar que el protector MC se ha instalado firmemente y no se inclina o tambalea.**
- **No apretarlo lo suficiente puede provocar que el tornillo se afloje y se caiga.**

Acerca de los derechos de autor

■ Cumpla cuidadosamente con las leyes de derechos de autor

IMPORTANTE

“La grabación no autorizada de los programas de televisión, cintas de video y otros materiales con derechos de autor puede infringir el derecho de los propietarios del derecho de autor y puede no cumplir con las leyes de derecho de autor.”

■ Licencias

- “AVCHD”, “AVCHD Progressive” y el logotipo de “AVCHD Progressive” son marcas comerciales de Panasonic Holdings Corporation y Sony Corporation.
- Dolby, Dolby Audio y el símbolo de la doble D son marcas comerciales de Dolby Laboratories.
- Los términos HDMI y HDMI High-Definition Multimedia Interface, y el Logotipo HDMI son marcas comerciales o marcas registradas de HDMI Licensing Administrator, Inc. en los Estados Unidos y otros países.
- Otros nombres de sistemas y productos mencionados en estas instrucciones son normalmente marcas comerciales registradas o marcas comerciales de los fabricantes que desarrollaron el sistema o el producto en cuestión.

Este producto incorpora el siguiente software:

- (1) el software desarrollado independientemente por o para Panasonic Connect Co., Ltd.,
- (2) el software de propiedad de terceros y autorizado para Panasonic Connect Co., Ltd.,
- (3) el software autorizado bajo el GNU General Public License, Version 2.0 (GPL V2.0),
- (4) el software autorizado bajo el GNU LESSER General Public License, Version 2.1 (LGPL V2.1), y/o
- (5) el software de código abierto diferente al software autorizado bajo el GPL V2.0 y/o LGPL V2.1.

El software categorizado como (3) - (5) se distribuye con la esperanza de que sea útil, pero SIN NINGUNA GARANTÍA, ni siquiera la garantía implícita de MERCANTIBILIDAD o IDONEIDAD PARA UN PROPÓSITO EN PARTICULAR.

Para más información consulte las condiciones de licencia que pueden visualizarse siguiendo el método descrito en "Ajuste desde la pantalla Web" → "Pantalla de mantenimiento [Maintenance]" → "■ Pestaña de información de producto [Product info.]" → "[OSS license display]" de las Instrucciones de funcionamiento (formato PDF) del grabador portátil de tarjetas de memoria AG-MDR25.

Durante por lo menos tres (3) años a partir de la entrega de los productos, Panasonic proporcionará a cualquier persona que la contacte a la información de contacto mencionada más abajo, por un cargo no mayor al de la distribución física del código fuente, una copia legible por máquina del código fuente correspondiente cubierto por GPL V2.0 o LGPL V2.1, así como el respectivo aviso de derechos de autor.

Información de contacto:

oss-cd-request@gg.jp.panasonic.com

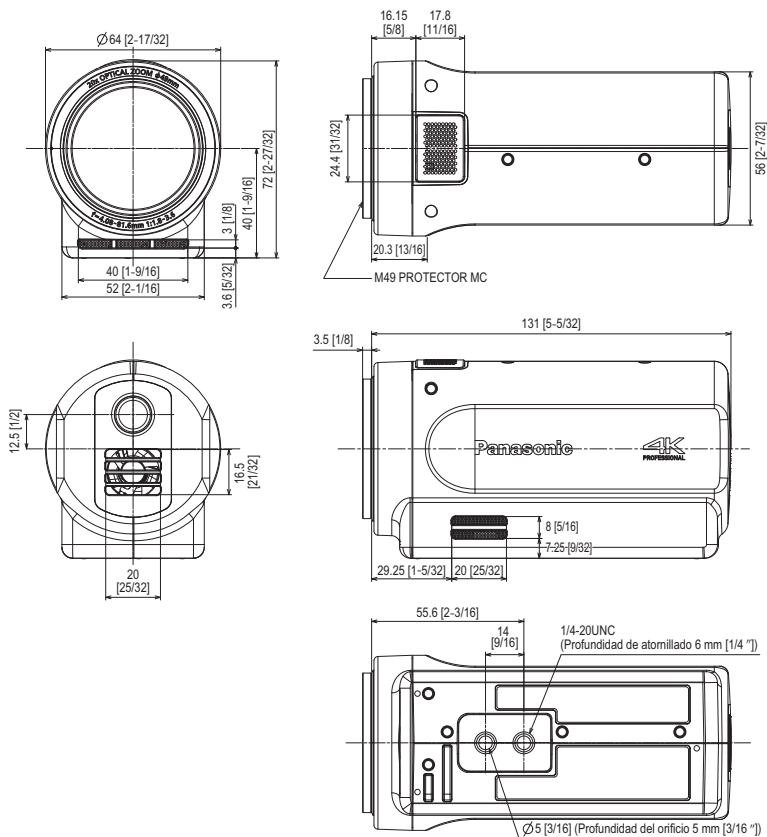
El código fuente y el aviso de derechos de autor también están disponibles en forma gratuita en nuestro sitio web.

<https://panasonic.net/cns/oss/index.html>

Especificaciones

Cabezal de cámara compacto

Apariencia (Unidad: mm [pulgada])



General

(Cuando se conecta al AG-MDR25)

Tensión de entrada:

CC (---) 9 V

(unidad: suministrada por el AG-MDR25)

Consumo de corriente:

0,6 A

 indica información de seguridad.

Temperatura ambiente de funcionamiento:

0 °C a 40 °C (32 °F a 104 °F)

Humedad ambiental de funcionamiento:

10%RH a 80%RH (sin condensación)

Masa:

Aprox. 325 g [Aprox. 0,717 lbs.]

(solo unidad principal, excluido el protector MC)

Aprox. 333 g [Aprox. 0,734 lbs.]

(incluido el protector MC)

Dimensiones (L×A×P):

64 mm×72 mm×131 mm

[2-17/32 "×2-27/32 "×5-5/32 "]

(solo unidad principal, excluidas las partes salientes)

64 mm×72 mm×134,5 mm

[2-17/32 "×2-27/32 "×5-9/32 "]

(incluido el protector MC, excluidas las partes salientes)

Unidad de cámara (cuando se controla con la grabadora específica AG-MDR25)

Dispositivo de captura:

Sensor de la imagen de estado sólido MOS tipo 1/2,3

Número de píxeles:

Número total de píxeles;

4168×3062 (aprox. 12760000 píxeles)

Lentes:

Lente del estabilizador óptico de imagen, zoom óptico motorizado 20×

Valor F (longitud focal)

F 1.8 a F3.6 (f=4,08 mm a 81,6 mm)

[5/32 " a 3-7/32 "]

Conversión de 35 mm

29,5 mm a 612,0 mm^{*1}

[1-5/32 " a 24-3/32 "]

Diámetro del filtro; 49 mm

Filtro ND (integrado); CLEAR, 1/4, 1/16, 1/64

Distancia mínima de grabación;

Rango de zoom total; 1,5 m [4,9 pies],

Gran angular; 3 cm [0,1 pies]

Filtro de bloqueo IR;

Suministrado con la función de activación/desactivación del filtro de bloqueo IR

^{*1} Cuando [HYBRID O.I.S. MODE] se ajusta en [OFF]

Ajuste de ganancia:

Auto², 0 dB a 30 dB (en incrementos de 1 dB, manual), 33 dB o 36 dB (con superganancia)

^{*2} Cuando Auto está establecido, puede seleccionarse un valor entre 3 dB y 30 dB (en incrementos de 3 dB) en [AGC LIMIT]

Balance de blancos:

ATW, ATW LOCK, AWB A, AWB B, P3200K, P5600K, VAR (de 2000K a 15000K)

Velocidad de obturación:

Cuando [SYSTEM FREQ] = [59.94Hz]

● Modo 59.94i/59.94p;

1/60, 1/100, 1/120, 1/180, 1/250, 1/350, 1/500, 1/750, 1/1000, 1/1500, 1/2000, 1/3000, 1/4000, 1/8000 seg.

● Modo 29.97p;

1/30, 1/50, 1/60, 1/100, 1/120, 1/180, 1/250, 1/350, 1/500, 1/750, 1/1000, 1/1500, 1/2000, 1/3000, 1/4000, 1/8000 seg.

● Modo 23.98p;

1/24, 1/48, 1/50, 1/60, 1/100, 1/120, 1/180, 1/250, 1/350, 1/500, 1/750, 1/1000, 1/1500, 1/2000, 1/3000, 1/4000, 1/8000 seg.

Cuando [SYSTEM FREQ] = [50.00Hz]

● Modo 50.00i/50.00p;

1/50, 1/60, 1/100, 1/125, 1/180, 1/250, 1/350, 1/500, 1/750, 1/1000, 1/1500, 1/2000, 1/3000, 1/4000, 1/8000 seg.

● Modo 25.00p;

1/25, 1/50, 1/60, 1/100, 1/125, 1/180, 1/250, 1/350, 1/500, 1/750, 1/1000, 1/1500, 1/2000, 1/3000, 1/4000, 1/8000 seg.

Velocidad de obturación lenta:

Cuando [SYSTEM FREQ] = [59.94Hz]

- Modo 59.94i/59.94p;
1/2, 1/4, 1/8, 1/15, 1/30 seg.
- Modo 29.97p;
1/2, 1/4, 1/8, 1/15 seg.
- Modo 23.98p;
1/2, 1/3, 1/6, 1/12 seg.

Cuando [SYSTEM FREQ] = [50.00Hz]

- Modo 50.00i/50.00p;
1/2, 1/3, 1/6, 1/12, 1/25 seg.
- Modo 25.00p;
1/2, 1/3, 1/6, 1/12 seg.

Obturación de exploración sincronizada:

Cuando [SYSTEM FREQ] = [59.94Hz]

- Modo 59.94i/59.94p;
1/60.0 a 1/285.6 seg.
- Modo 29.97p;
1/30.0 a 1/206.5 seg.
- Modo 23.98p;
1/24.0 a 1/280.1 seg.

Cuando [SYSTEM FREQ] = [50.00Hz]

- Modo 50.00i/50.00p;
1/50.0 a 1/209.2 seg.
- Modo 25.00p;
1/25.0 a 1/224.3 seg.

Iluminación mínima del sujeto:

Aprox. 0,2 lx (Obturación lenta; 1/2, Ganancia; 36 dB)

Resolución horizontal

(valor típico para el área central):

1300 líneas de TV (salida HDMI; 2160/29.97p, 25.00p, durante la reproducción)
1000 líneas de TV (salida HDMI; 1080/59.94p, 50.00p, durante la reproducción)

Zoom:

i.Zoom; 30x (alta definición)/22x (4K)

Zoom digital; 1.4x/2x/4x/6x/8x

Estabilizador de imagen:

O.I.S.(alta definición, 4K) / Estabilizador de imagen híbrido de 5 ejes (alta definición)

Entrada/salida**Audio:**

Entrada; Micrófono incorporado (2 canales)

Terminal externo:

Terminal de conexión (para conexión a la grabadora específica AG-MDR25);
Interfaz de 20 pin específica

Los símbolos en este producto representan lo siguiente:

=== CC

Eliminación de Aparatos Viejos Solamente para la Unión Europea y países con sistemas de reciclado.

Este símbolo en los productos, su embalaje o en los documentos que los acompañen significa que los productos eléctricos y electrónicos usadas no deben mezclarse con los residuos domésticos.

Para el adecuado tratamiento, recuperación y reciclaje de los productos viejos llévelos a los puntos de recogida de acuerdo con su legislación nacional.

Si los elimina correctamente ayudará a preservar valuosos recursos y evitará potenciales efectos negativos sobre la salud de las personas y sobre el medio ambiente. Para más información sobre la recogida o reciclaje, por favor contacte con su ayuntamiento, su distribuidor o su proveedor. Puede haber sanciones por una incorrecta eliminación de este residuo, de acuerdo con la legislación nacional.

本機はメモリーカードポータブルレコーダー AG-MDR25 専用のカメラヘッドです。
AG-MDR25 以外の機器には接続できません。

- カメラヘッドおよびレコーダーの使い方については、メモリーカードポータブルレコーダー AG-MDR25 の取扱説明書および AG-MDR25 に付属のチラシを参照してください。

本書内のイラストについて

- 本書内のイラストは、実際とは異なることがあります。

参照について

- 本書では、参照ページを (P00) のように示しています。

配線・取り付け / 取り外しは、専門技術と経験が必要です。安全のため、必ずお買い上げの販売店にご依頼ください。

また、カメラヘッドオプションケーブルは、カメラヘッドに確実に取り付けてください。詳しくは、メモリーカードポータブルレコーダー AG-MDR25 の取扱説明書をご覧ください。

目次

安全上のご注意.....	58
使用上のお願い.....	61
付属品.....	62
各部の名前.....	62
著作権について.....	63
定格.....	65
保証とアフターサービス (よくお読みください).....	68
無料修理規定.....	71
保証書.....	裏表紙

安全上のご注意 必ずお守りください

人への危害、財産の損害を防止するため、必ずお守りいただくことを説明しています。

■ 誤った使い方をしたときに生じる危害や損害の程度を区分して、説明しています。



警告

「死亡や重傷を負うおそれがある内容」です。



注意

「軽傷を負うことや、財産の損害が発生するおそれがある内容」です。

■ お守りいただく内容を次の図記号で説明しています。(次は図記号の例です)



してはいけない内容です。



実行しなければならない内容です。

警告



■ 異常、故障時には直ちに使用を中止する

■ 異常があったときは、直ちにカメラケーブルを外す

[内部に金属や水などの液体、異物が入ったとき、落下などで外装ケースが破損したとき、煙や異臭、異音などが出たとき]

(そのまま使うと火災や事故の原因になります。)

⇒ お買い上げの販売店にご相談ください。



■ 指定外の製品と接続しない

(火災や事故を起こす原因になります。)

■ 乗り物を運転しながら使わない

(事故の誘発につながります。)

⇒ 歩行中でも周囲の状況、路面の状態などに十分ご注意ください。





■ 電源を入れた状態で直接触れたまま使用しない

(本機の温度の高い部分、または排気口からの排気熱に、直接触れていると低温やけど^{*}の原因になります。)


⇒ 長時間ご使用の場合は、三脚などをお使いください。

※ 血流状態が悪い人(血管障害、血液循環不良、糖尿病、強い圧迫を受けている)や、皮膚感覚が弱い人などは、低温やけどになりやすい傾向があります。

警告

	<p>■ 可燃性・爆発性・引火性のガスなどのある場所で使わない (火災や爆発の原因になります。) ⇒ 粉じんの発生する場所でも使わないでください。</p>
	<p>■ カメラケーブルが破損するようなことはしない [傷つける、加工する、高温部や熱器具に近づける、無理に 曲げる、ねじる、引っ張る、重いものを載せる、束ねるなど] (傷んだまま使用すると、火災やショートの原因になります。) ⇒ ケーブルの修理は、お買い上げの販売店にご相談ください。</p>
 分解禁止	<p>■ 分解や改造をしない (火災の原因になります。また、使用機器を損傷することがあります。) ⇒ 点検・整備・修理は、お買い上げの販売店にご相談ください。</p>
 接触禁止	<p>■ 雷が鳴り出したら、本機の金属部に触れない (落雷すると、感電につながります。)</p>
	<p>■ 本機がぬれたり、水などの液体や異物が入らないようにする (火災や事故の原因になります。) ⇒ 雨天・降雪・海岸・水辺での使用は、特にご注意ください。 ⇒ 機器の上や近くに、水などの液体が入った花びんなどの容器を置かないでください。</p>

注意

	<p>■ レンズを太陽や強い光源に向けたままにしない (集光により、内部部品が破損し、火災の原因になることがあります。)</p>
	<p>■ 本機の上に重いものを置いたり、つり下げたりしない (落下したり倒れたりして壊れ、けがの原因になります。) (重量で外装ケースが変形し、内部部品が破損すると、火災・故障の原因になります。)</p>

⚠ 注意



■ 三脚を取り付けた状態で、本機を使って持ち上げない
(三脚を取り付けると、三脚の重量も本機に加わるため、本機が破損し、けがの原因になります。)
⇒ 三脚を取り付けているときは、必ず三脚を持って運搬してください。

■ 本機の放熱を妨げない

[押し入れや本箱など、狭いところに入れない、テーブルクロスを掛けたり、じゅうたんや布団の上に置かない、吸気口や排気口は、ふさがない]

(内部に熱がこもり、火災の原因になります。)

■ 直射日光の当たる場所や異常に温度が高くなる場所に置かない

(特に真夏の車内、車のトランクの中は、想像以上に高温(約60℃以上)になります。絶対に放置しないでください。外装ケースや内部部品が劣化するほか、火災の原因になることがあります。)

■ 油煙や湯気、湿気やほこりの多い場所に置かない
(火災や感電の原因になります。)



■ 配線・取り付け / 取り外しは、専門技術者に依頼する
⇒ 配線・取り付け / 取り外しには、専門技術と経験が必要です。安全のため、必ずお買い上げの販売店にご依頼ください。

■ 落下したり動かないように、確実に固定する
(確実に固定しないと、事故の原因になります。)

■ 病院内や機内では、病院や航空会社の指示に従う
(本機からの電磁波などが、計器類に影響を及ぼすことがあります。)

■ コードを引き回す場合、足など引っ掛けないよう固定したりカバーなどをする
(足などを引っ掛けると、けがの原因になります。また、コードが傷つき、火災の原因にもなります。)

使用上のお願い

使用中は本体が温かくなりますが、異常ではありません。

磁気が発生するところや電磁波が発生するところ（携帯電話、電子レンジ、テレビやゲーム機など）からはできるだけ離れてお使いください。

- テレビの上や近くで操作すると、電磁波の影響で映像や音声が乱れることがあります。
- スピーカーや大型モーターなどが出す強い磁気により、記録が損なわれたり、映像がゆがんだりします。
- マイクを含めたデジタル回路の出す電磁波により、お互いに影響を及ぼし、映像や音声が乱れることがあります。
- 本機が影響を受け、正常に動作しないときは、レコーダーのバッテリーと AC アダプターを一度外してから、あらためて接続し電源を入れ直してください。

電波塔や高圧線が近くにあるときは、なるべく使わないでください。

- 近くで使用すると、電波や高電圧の影響で撮影映像や音声が悪くなることがあります。

浜辺や砂などほこりの多いところで使うときは、内部や端子部に砂やほこりが入らないようにしてください。また海水などでぬらすしないでください。

- 砂やほこりで本機が破損することがあります。
- 万一海水がかかったときは、よく絞った布でふき、そのあと乾いた布でふいてください。

本機とレコーダーを接続中、本機またはケーブル部分だけを持って本機およびレコーダーを持ち運ばないでください。

- 本機またはケーブルに強い負荷がかかり、破損するおそれがあります。

周囲で殺虫剤や揮発性のものを使うときは、本機にかけないでください。

- 殺虫剤や揮発性のものがかかると、カメラヘッド本体が変形したり、塗装がはげるおそれがあります。
- 本機にゴム製品やビニール製品を長期間接触させたままにしないでください。

使用後は、レコーダーの電源を切ったあと、カメラヘッドオプションケーブルを取り外してください。

本機は周辺の壁などより 30 cm 以上離してご使用ください。

レーザー光線について

- レーザー光線が撮像素子に照射されると、撮像素子を破損するおそれがあります。レーザー照射機器が使用されている環境で撮影する場合は、レンズにレーザー光線が照射されないよう、十分お気をつけください。

お手入れ

お手入れの際は、ベンジンやシンナーを使わないでください。

- ベンジンやシンナーを使うと、本機が変形したり、塗装がはげるおそれがあります。


お手入れの手順

1. お手入れの前に、カメラヘッドオプションケーブルをカメラヘッドから取り外します。
2. 柔らかい、清潔な布でカメラヘッドをふきます。汚れがひどいときは、中性洗剤に浸した布で汚れをふき、乾いた布で仕上げてください。
3. カメラヘッドに付いたちり、ほこりおよび汚れを取り除いて、消毒用エタノールで湿らせた布を固くしぼりカメラヘッドの表面をふきます。
4. 消毒用エタノールでふいたあとは、必ず十分に乾かします。

付属品

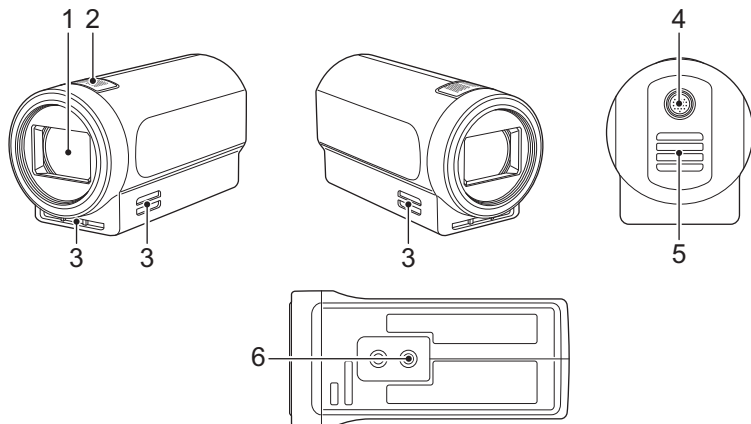


以下の付属品がすべて入っているか確かめください。

<input type="checkbox"/> レンズキャップ※		<input type="checkbox"/> MC プロテクター レンズ保護のため、レンズ前部に取り付けて使用してください。(P63)	
-----------------------------------	---	--	---

※ お買い上げ時は本機に装着されています。

各部の名前



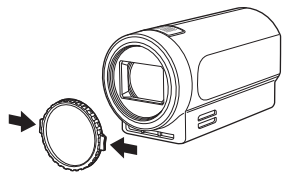
- 1 レンズ
- 2 内蔵マイク
- 3 吸気口 (冷却ファン)
- 4 カメラヘッドオプションケーブル接続端子
- 5 排気口 (冷却ファン)
- 6 三脚取り付け穴

- 三脚取り付け穴は 1/4-20UNC のねじに対応しています。三脚側の固定ねじ径に合わせてお使いください。
- ねじの長さが 6 mm 以上の三脚を取り付けると、本機を傷つける場合があります。

■ レンズキャップを取り付ける / 取り外す

本機を使用しない場合は、レンズ保護のため
レンズキャップを取り付けてください。

- つまんで付け外します。

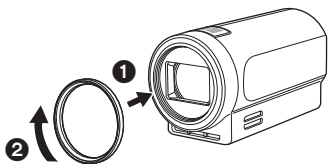


■ MC プロテクターを取り付ける / 取り外す

(取り付け方)

図の方向に回して取り付ける

- 取り付けるときは、MC プロテクターの M49 mm
ねじを確実にしっかりと締め付けてください。
- 取り外すときは、図と逆の方向に回して取り外し
てください。



- 傾きやぐらつきがなく、しっかりと取り付けられていることを確認してください。
- 締め付けが足りない場合は、ねじが緩み、落下などの原因になります。

著作権について

あなたが撮影（録画など）や録音したものは、個人として楽しむ以外は、著作権法上、権利者に無断で使用できません。個人として楽しむ目的であっても、撮影を制限している場合がありますのでお気をつけください。

- “AVCHD”、“AVCHD Progressive”、および“AVCHD Progressive”のロゴはパナソニックホールディングス株式会社とソニー株式会社の商標です。
- Dolby、Dolby Audio、ドルビー及びダブル D 記号はドルビーラボラトリーズの商標です。
- HDMI、High-Definition Multimedia Interface、および HDMI ロゴ は、米国およびその他の国における HDMI Licensing Administrator, Inc. の商標または、登録商標です。
- その他、この説明書に記載されている各種名称、会社名、商品名などは各社の商標または登録商標です。

この装置は、クラス B 情報技術装置です。この装置は、家庭環境で使用することを目的としていますが、この装置がラジオやテレビジョン受信機に近接して使用されると、受信障害を引き起こすことがあります。

取扱説明書に従って正しい取り扱いをしてください。

VCCI-B

本製品は、以下の種類のソフトウェアから構成されています。

- (1) パナソニック コネクト株式会社（パナソニック）が独自に開発したソフトウェア
- (2) 第三者が保有しており、パナソニックにライセンスされたソフトウェア
- (3) GNU GENERAL PUBLIC LICENSE Version2.0 (GPL V2.0) に基づきライセンスされたソフトウェア
- (4) GNU LESSER GENERAL PUBLIC LICENSE Version2.1 (LGPL V2.1) に基づきライセンスされたソフトウェア
- (5) GPL V2.0、LGPL V2.1 以外の条件に基づきライセンスされたオープンソースソフトウェア

上記 (3) ~ (5) に分類されるソフトウェアは、これら単体で有用であることを期待して頒布されますが、「商品性」または「特定の目的についての適合性」についての黙示の保証をしないことを含め、一切の保証はなされません。

詳細は、メモリーカードポータブルレコーダー AG-MDR25 の取扱説明書 (PDF 形式) の「Web 画面から設定する」→「メンテナンス画面 [Maintenance]」→「■ 製品情報確認タブ [Product info.]」→「OSS license display」に記載の方法で表示されるライセンス条件をご参照ください。

パナソニックは、本製品の発売から少なくとも 3 年間、以下の問い合わせ窓口にご連絡いただいた方に対し、実費にて GPL V2.0 または LGPL V2.1 に基づきライセンスされたソフトウェアに対応する完全かつ機械読取り可能なソースコードを、それぞれの著作権者の情報と合わせて提供します。

問い合わせ窓口：oss-cd-request@gg.jp.panasonic.com

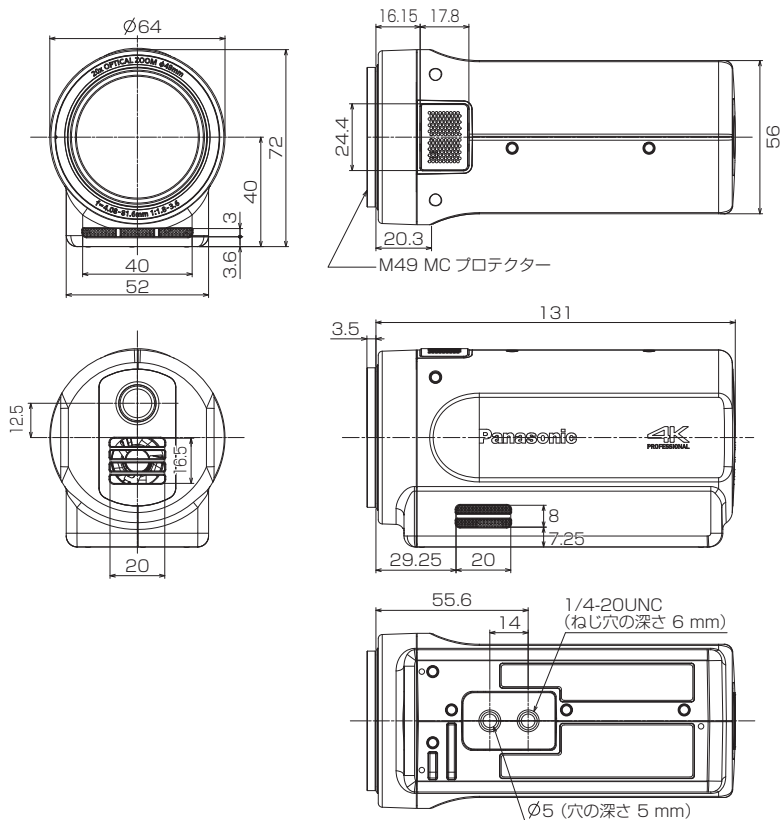
また、これらソースコードおよび著作権者の情報は、以下のウェブサイトからも自由に無料で入手することができます。

<https://panasonic.net/cns/oss/index.html>

定格

コンパクトカメラヘッド

外形寸法図 (単位 : mm)



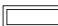
総合

(AG-MDR25 接続時)

電源電圧：DC (---) 9 V

(本体：AG-MDR25 より供給)

消費電流：0.6 A

 は安全項目です。

動作周囲温度：

0℃～40℃

動作周囲湿度：

10%RH～80%RH (結露なし)

質量：

約 325 g

(本体のみ、MC プロテクターを除く)

約 333 g (MC プロテクターを含む)

外形寸法 (幅 × 高さ × 奥行き)：

64 mm × 72 mm × 131 mm

(本体のみ、突起部を除く)

64 mm × 72 mm × 134.5 mm

(MC プロテクターを含む、突起部を除く)

カメラ部

(専用レコーダー AG-MDR25 での コントロール)

撮像素子：

1/2.3 型 MOS 固体撮像素子

画素数：

総画素数：4168 × 3062 (約 1276 万画素)

レンズ：

光学式画揺れ補正レンズ、

光学 20 倍電動ズーム

F 値 (焦点距離)：

F1.8～F3.6 (f=4.08 mm～81.6 mm)

35 mm 換算：

29.5 mm～612.0 mm^{*1}

フィルター径：49 mm

ND フィルター (内蔵)：

CLEAR、1/4、1/16、1/64

最短撮影距離：

ズーム全域：1.5 m、Wide 端：3 cm

IR カットフィルター：

ON/OFF 切り換え機能有り

^{*1} 「ハイブリッド O.I.S. モード」を「切」に設定時

ゲイン切り換え：

オート^{*2}、マニュアル 0 dB～30 dB

(1 dB ステップ)、スーパーゲイン割り当て時
(33 dB、36 dB)

^{*2} オート時は、「AGC リミット」の設定で
3 dB～30 dB (3 dB ステップ) が
選択可能

ホワイトバランス：

ATW、ATW LOCK、AWB A、AWB B、
P3200K、P5600K、VAR (2000K～
15000K)

シャッタースピード：

「システム周波数」=「59.94Hz」時

- 59.94i/59.94p モード：
1/60、1/100、1/120、1/180、
1/250、1/350、1/500、1/750、
1/1000、1/1500、1/2000、1/3000、
1/4000、1/8000 秒
- 29.97p モード：
1/30、1/50、1/60、1/100、1/120、
1/180、1/250、1/350、1/500、
1/750、1/1000、1/1500、
1/2000、1/3000、1/4000、
1/8000 秒
- 23.98p モード：
1/24、1/48、1/50、1/60、1/100、
1/120、1/180、1/250、1/350、
1/500、1/750、1/1000、1/1500、
1/2000、1/3000、1/4000、
1/8000 秒

「システム周波数」=「50.00Hz」時

- 50.00i/50.00p モード：
1/50、1/60、1/100、1/125、1/180、
1/250、1/350、1/500、1/750、
1/1000、1/1500、1/2000、1/3000、
1/4000、1/8000 秒
- 25.00p モード：
1/25、1/50、1/60、1/100、1/125、
1/180、1/250、1/350、1/500、
1/750、1/1000、1/1500、
1/2000、1/3000、1/4000、
1/8000 秒

スローシャッタースピード：

「システム周波数」=「59.94Hz」時

- 59.94i/59.94p モード：
1/2、1/4、1/8、1/15、1/30 秒
- 29.97p モード：
1/2、1/4、1/8、1/15 秒
- 23.98p モード：
1/2、1/3、1/6、1/12 秒

「システム周波数」 = 「50.00Hz」時

- 50.00i/50.00p モード：
1/2、1/3、1/6、1/12、1/25 秒
- 25.00p モード：
1/2、1/3、1/6、1/12 秒

シンクロスキャン：

「システム周波数」 = 「59.94Hz」時

- 59.94i/59.94p モード：
1/60.0 ~ 1/285.6 秒
- 29.97p モード：
1/30.0 ~ 1/206.5 秒
- 23.98p モード：
1/24.0 ~ 1/280.1 秒

「システム周波数」 = 「50.00Hz」時

- 50.00i/50.00p モード：
1/50.0 ~ 1/209.2 秒
- 25.00p モード：
1/25.0 ~ 1/224.3 秒

最低被写体照度：

約 0.2 lx (スローシャッター：1/2、
ゲイン：36 dB 時)

水平解像度 (Typ、中心部)：

1300 TV 本
(HDMI 出力 2160/29.97p、25.00p、
再生時)

1000 TV 本
(HDMI 出力 1080/59.94p、50.00p、
再生時)

ズーム：

i.Zoom：30 倍 (HD) / 22 倍 (4K)
デジタルズーム：1.4倍/2倍/4倍/6倍/8倍

画揺れ補正方式：

光学式 (HD、4K) /
5 軸ハイブリッド画揺れ補正 (HD)

入出力部

音声：

入力：内蔵マイク入力 (2ch)

外部端子：

接続端子 (専用レコーダー AG-MDR25 と
接続)：
20pin 専用インターフェース

本製品に表示の記号は以下を示しています。

=== DC (直流)

保証とアフターサービス (よくお読みください)

故障・修理・お取り扱いなどのご相談は、まず、お買い上げの販売店へ、お申し付けください。

お買い上げの販売店がご不明の場合は、当社（裏表紙）までご連絡ください。
※ 内容により、お近くの窓口をご紹介させていただく場合がございますので、ご了承ください。

■ 保証書（本書に付属）

お買い上げ日・販売店名などの記入を必ずお確かめのうえ、お買い上げの販売店からお受け取りください。内容をよくお読みいただいたうえ、大切に保管してください。万一、保証期間内に故障が生じた場合には、保証書記載内容に基づき、無料修理させていただきます。

保証期間：お買い上げから本体1年間

■ 補修用性能部品の保有期間 **8年**

当社は、このコンパクトカメラヘッドの補修用性能部品を、製造打ち切り後8年保有しています。

※ 補修用性能部品とは、その製品の機能を維持するために必要な部品です。

■ 保守・点検

- 保守・点検は機器の機能を常に良好な状態に維持し、お客様が安心してご使用していただくためのものです。
- 部品の劣化、ごみ、ほこりの付着などにより突発的な故障、トラブルを未然に防ぐとともに、安定した機能、性能の維持のために、定期的な保守・点検を行ってください。
- 保守・点検（有料）についての詳しい内容は、お買い上げの販売店にご相談ください。
- 修理、保守、点検時には、情報漏えいしては困る本体設定情報はあらかじめ削除し、SDカードを外して、ご依頼ください。

修理を依頼されるとき

この取扱説明書を再度ご確認くださいのうえ、お買い上げの販売店までご連絡ください。

■ 保証期間中の修理は・・・

保証書の記載内容に従って、修理させていただきます。詳しくは、保証書を参照してください。

■ 保証期間経過後の修理は・・・

修理により、機能、性能の回復が可能な場合は、ご希望により有料で修理させていただきます。

ご連絡いただきたい内容	
品名	コンパクトカメラヘッド
品番	AG-MDC20G
製造番号	
お買い上げ日	
故障の状況	

Panasonic Connect Co., Ltd.

Web Site: <https://pro-av.panasonic.net/en/>

パナソニック コネクト株式会社

〒571-8503 大阪府門真市松葉町 2 番 15 号 ☎ 0120-872-233

© Panasonic Connect Co., Ltd. 2017-2022

<無料修理規定>

1. 取扱説明書、本体貼付ラベル等の注意書きに従った使用状態で保証期間内に故障した場合には、無料修理をさせていただきます。
2. 無料修理をご依頼になる場合には、商品に取扱説明書から切り離した本書を添えていただきお買い上げの販売店にお申しつください。
3. 保証期間内でも次の場合には原則として有料にさせていただきます。
 - (イ) 使用上の誤り及び不当な修理や改造による故障及び損傷
 - (ロ) お買い上げ後の取付場所の移設、輸送、落下等による故障及び損傷
 - (ハ) 火災、地震、水害、落雷、その他天災地変及び公害、塩害、ガス害（硫化ガスなど）、異常電圧、指定外の使用電源（電圧、周波数）などによる故障及び損傷
 - (ニ) 他の接続機器及び接続部材に起因して生じた故障及び損傷
 - (ホ) 一般使用環境以外（例えば、強震、高温などの場所）に使用された場合の故障及び損傷
 - (ヘ) 取扱説明書に指定する磨耗性の部品、あるいは付属品の故障及び損傷
 - (ト) 本書のご提示がない場合
 - (チ) 本書にお買い上げ年月日、お客様名、販売店名の記入のない場合、あるいは字句を書き替えられた場合
 - (リ) 持込修理の対象商品を直接修理窓口へ送付した場合の送料等はおお客様の負担となります。また、出張修理等を行った場合には、出張料はおお客様の負担となります。
4. 故障、その他により正常に記録できなかった場合のデータ補修・記録内容の補償、及び営業上の機会損失等の損害に対する補償は致しかねます。また本機を修理した場合においても同様です。
5. 本書は日本国内においてのみ有効です。
6. 本書は再発行いたしませんので大切に保管してください。

修理メモ

※お客様にご記入いただいた個人情報（保証書控）は、保証期間内の無料修理対応及びその後の安全点検活動のために利用させていただきます。

※この保証書は、本書に明示した期間、条件のもとにおいて無料修理をお約束するものです。従ってこの保証書によって、保証書を発行する者（保証責任者）、及びそれ以外の事業者に対するお客様の法律上の権利を制限するものではありませんので、保証期間経過後の修理についてご不明の場合は、お買い上げの販売店にお問い合わせください。

※保証期間経過後の修理や補修用性能部品の保有期間については、取扱説明書をご覧ください。

※This warranty is valid only in Japan.

Panasonic

持込修理

コンパクトカメラヘッド保証書

本書はお買い上げの日から下記期間中故障が発生した場合には本書裏面記載内容で無料修理を行うことをお約束するものです。ご記入いただきました個人情報の利用目的は本書裏面に記載しております。お客様の個人情報に関するお問い合わせは、お買い上げの販売店にご連絡ください。詳細は裏面をご参照ください。

品番	AG-MDC20G
保証期間	お買い上げ日から 本体 1年間
※お買い上げ日	年 月 日
※お客様	ご住所 お名前 電話 () -
※販売店	住所・販売店名 電話 () -

パナソニック コネクト株式会社

〒571-8503 大阪府門真市松葉町2番15号 TEL 0120-872-233

ご販売店様へ ※印欄は必ず記入してお渡してください。

