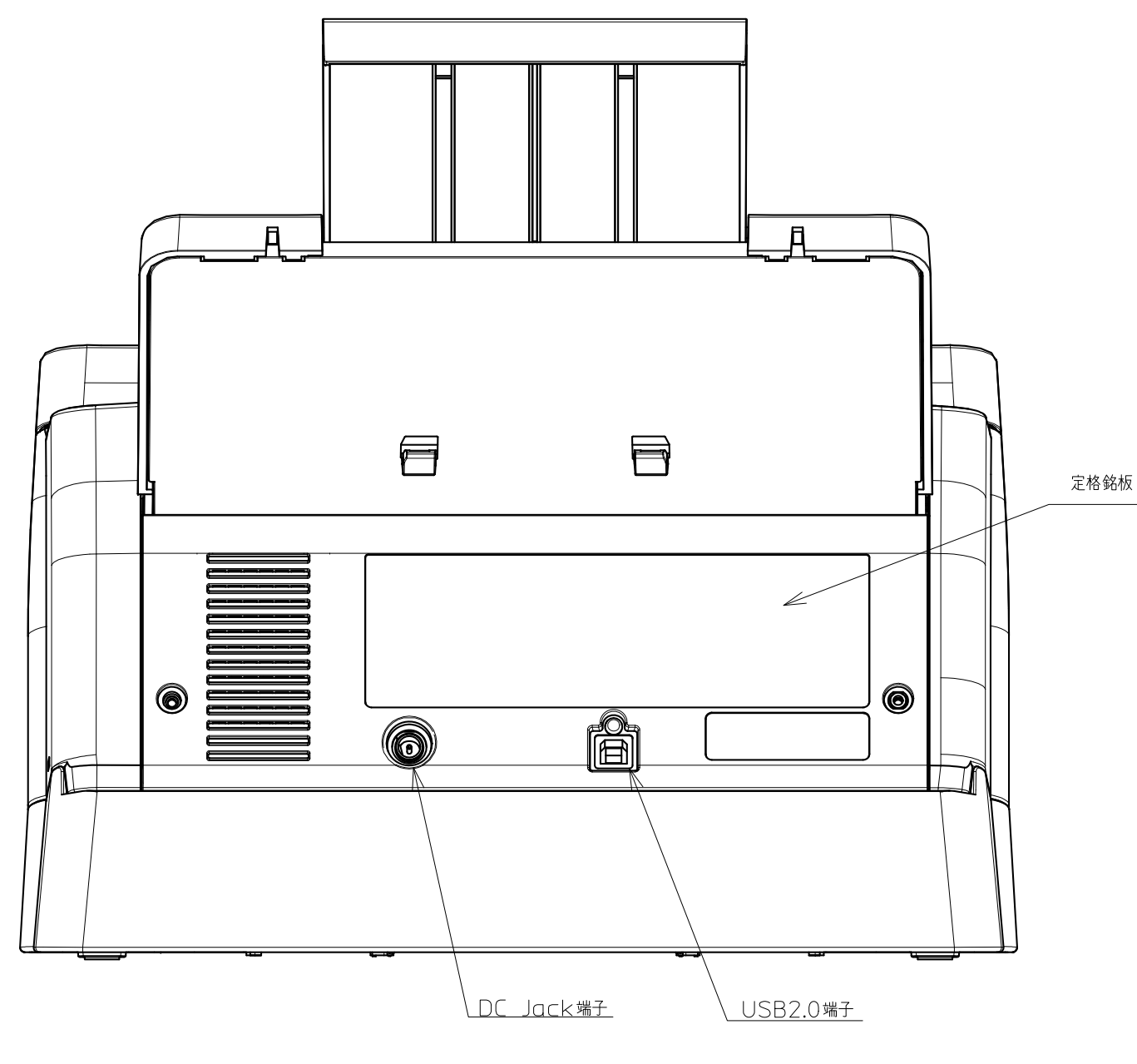
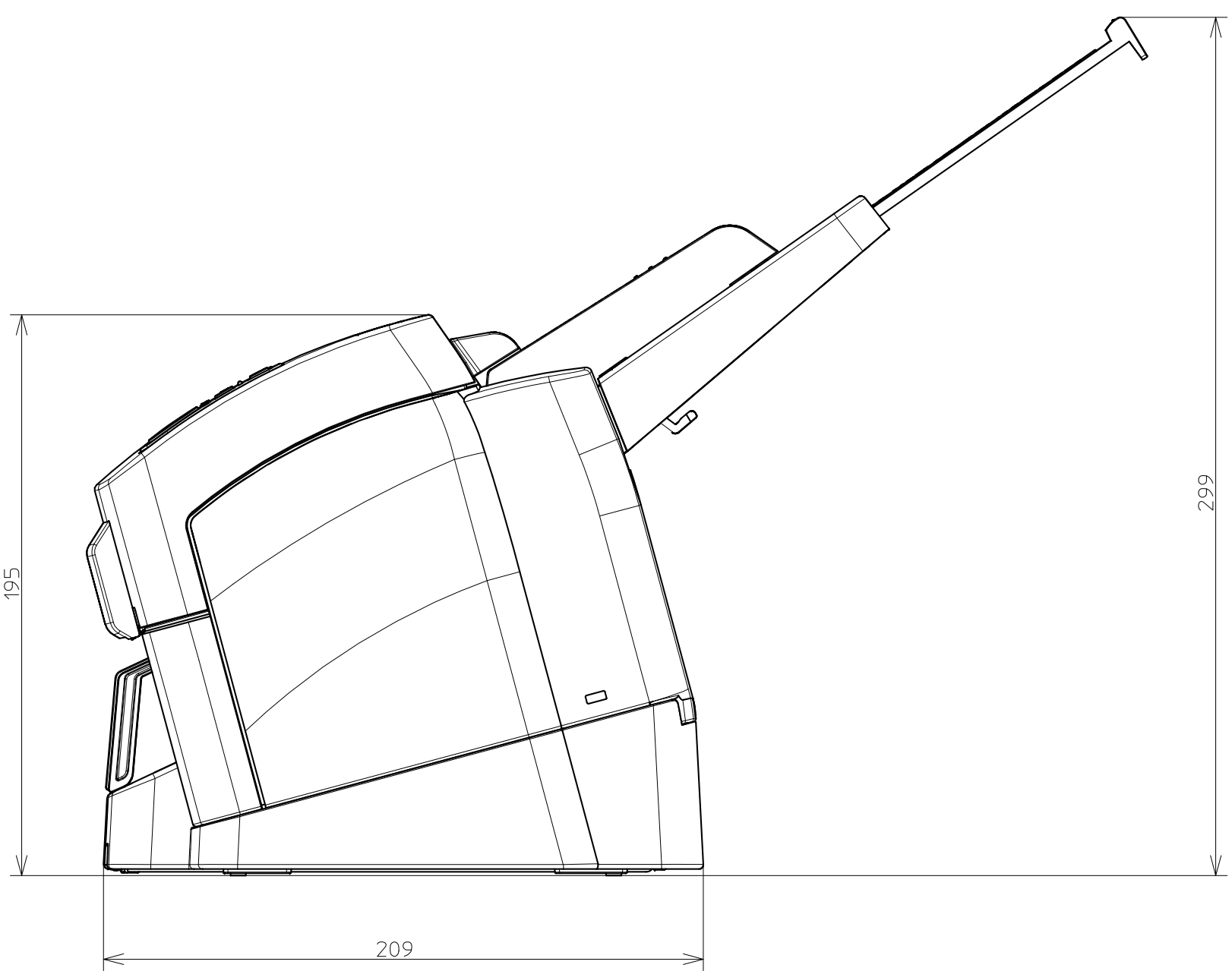
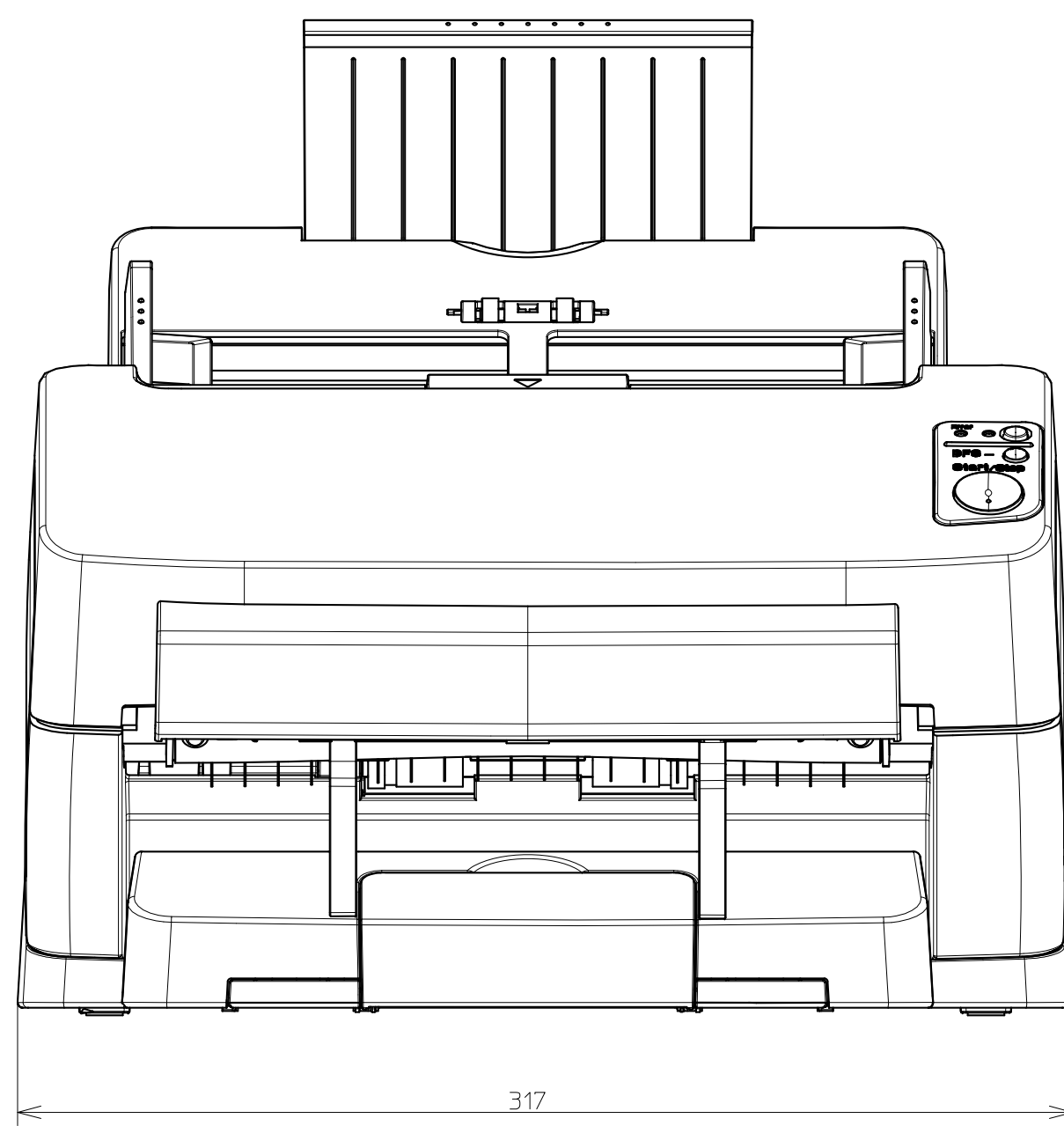
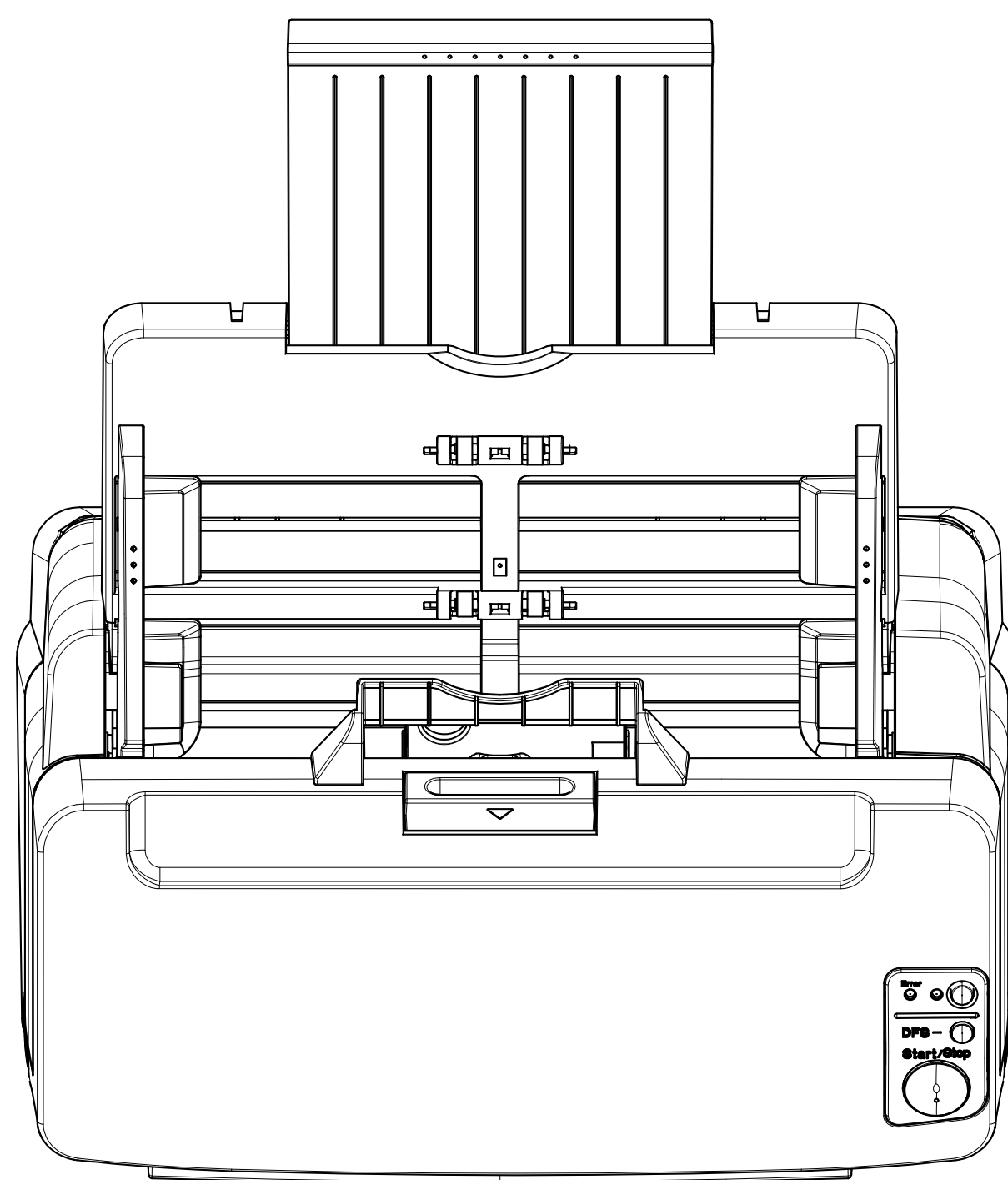


SYM.	DATE	REVISION	SIGNED	CHECKED
△				
△				
△				



Unit:mm

REMARK		MATERIAL & SIZE		PROCESS		MODEL
SCALE	DESIGNED	DRAWN	CHECKED	APPROVED	NAME	
1:2	Ogata 14,12,16	Ogata 14,12,16				KV-S1046C/S1065C
DRAWING/ Part NO.						外觀図
REF.NO.						1/1