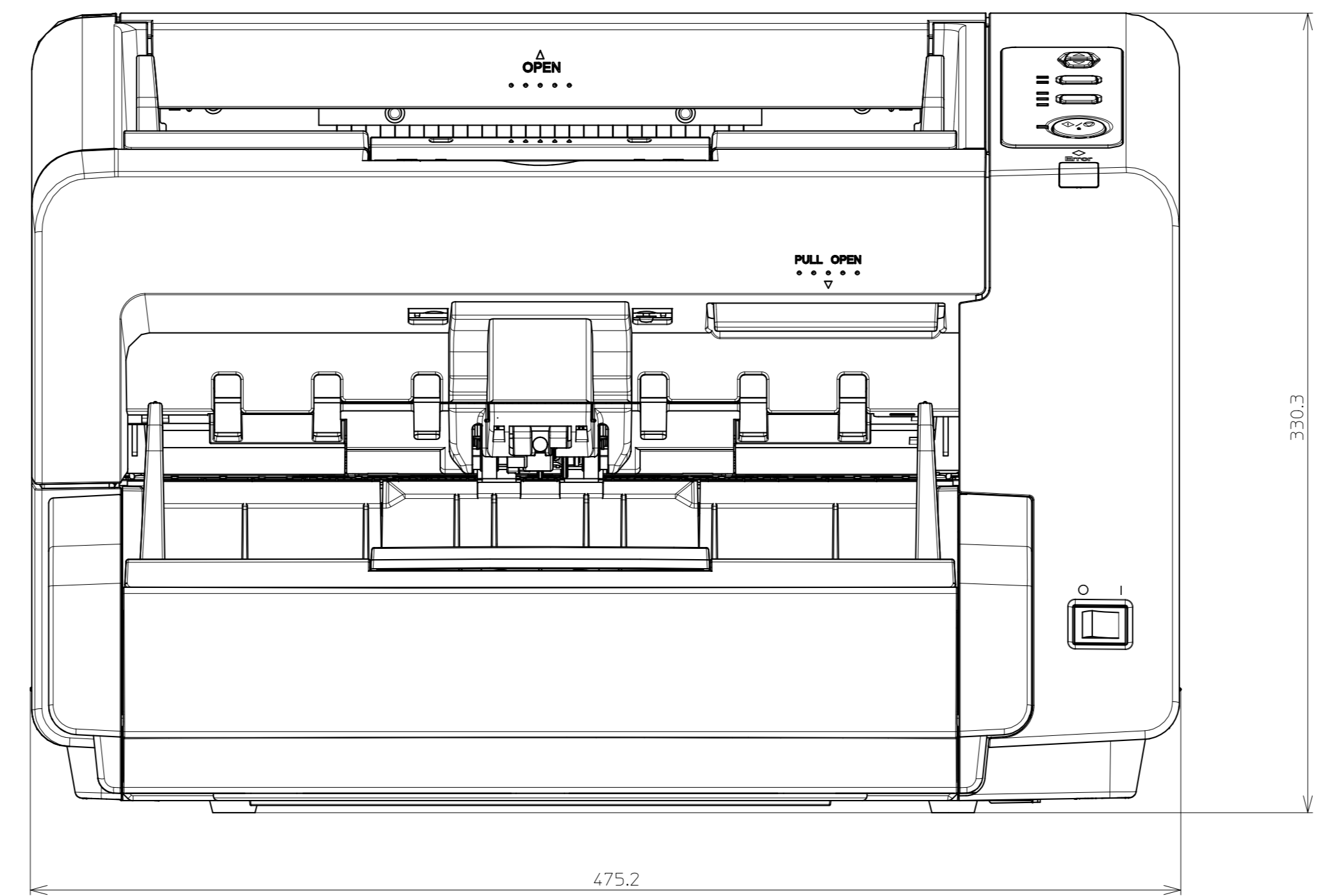
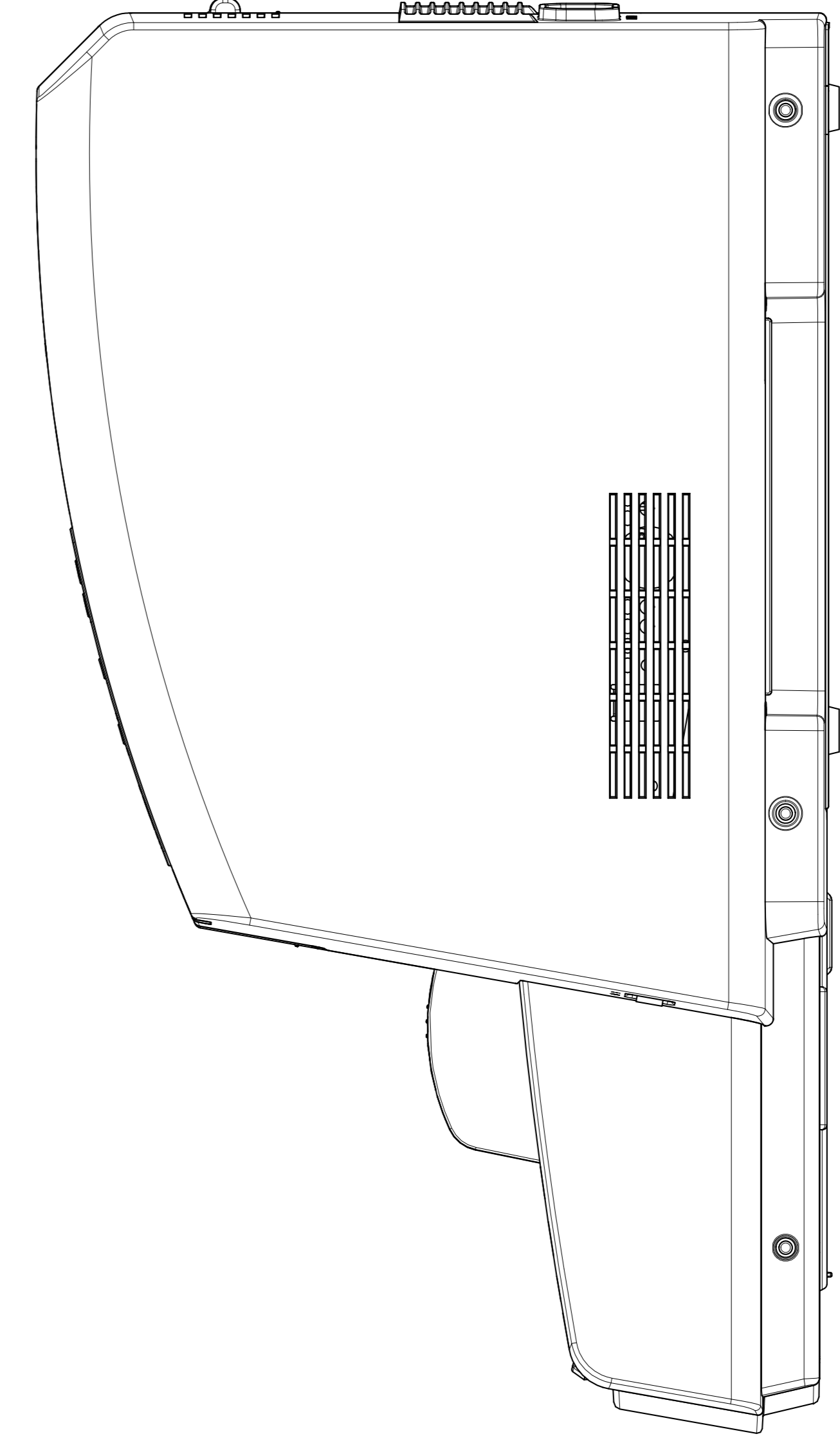
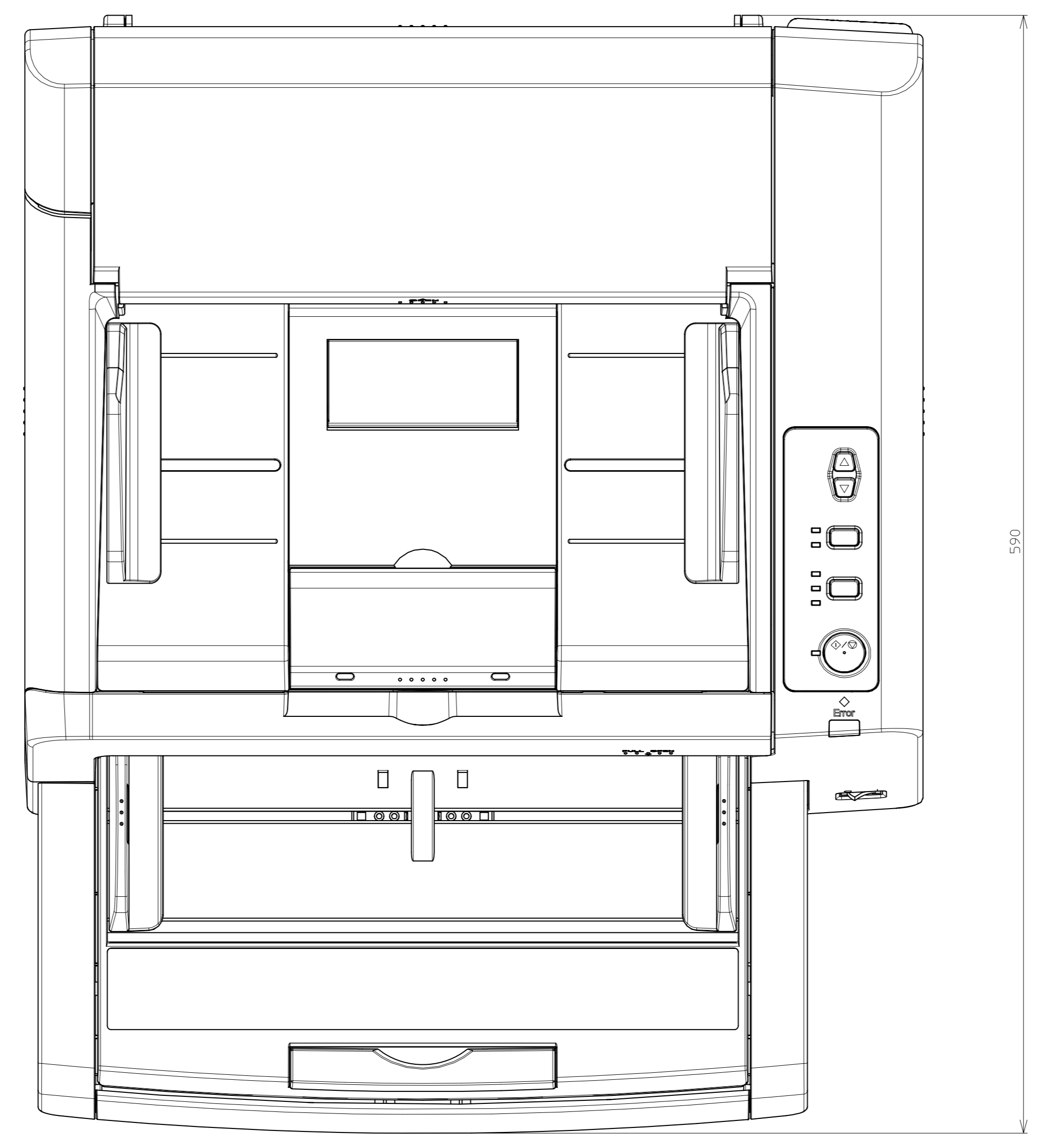
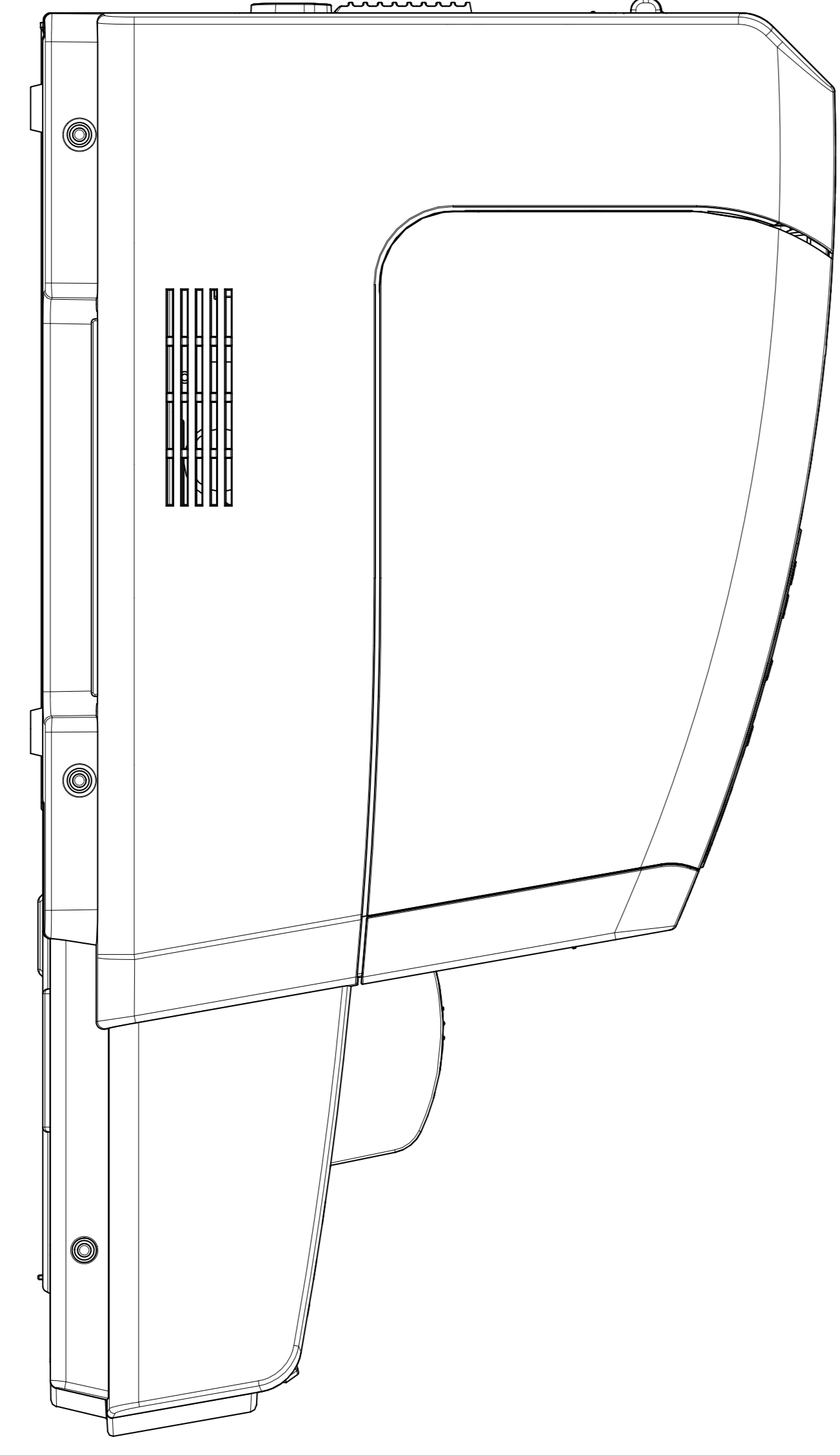
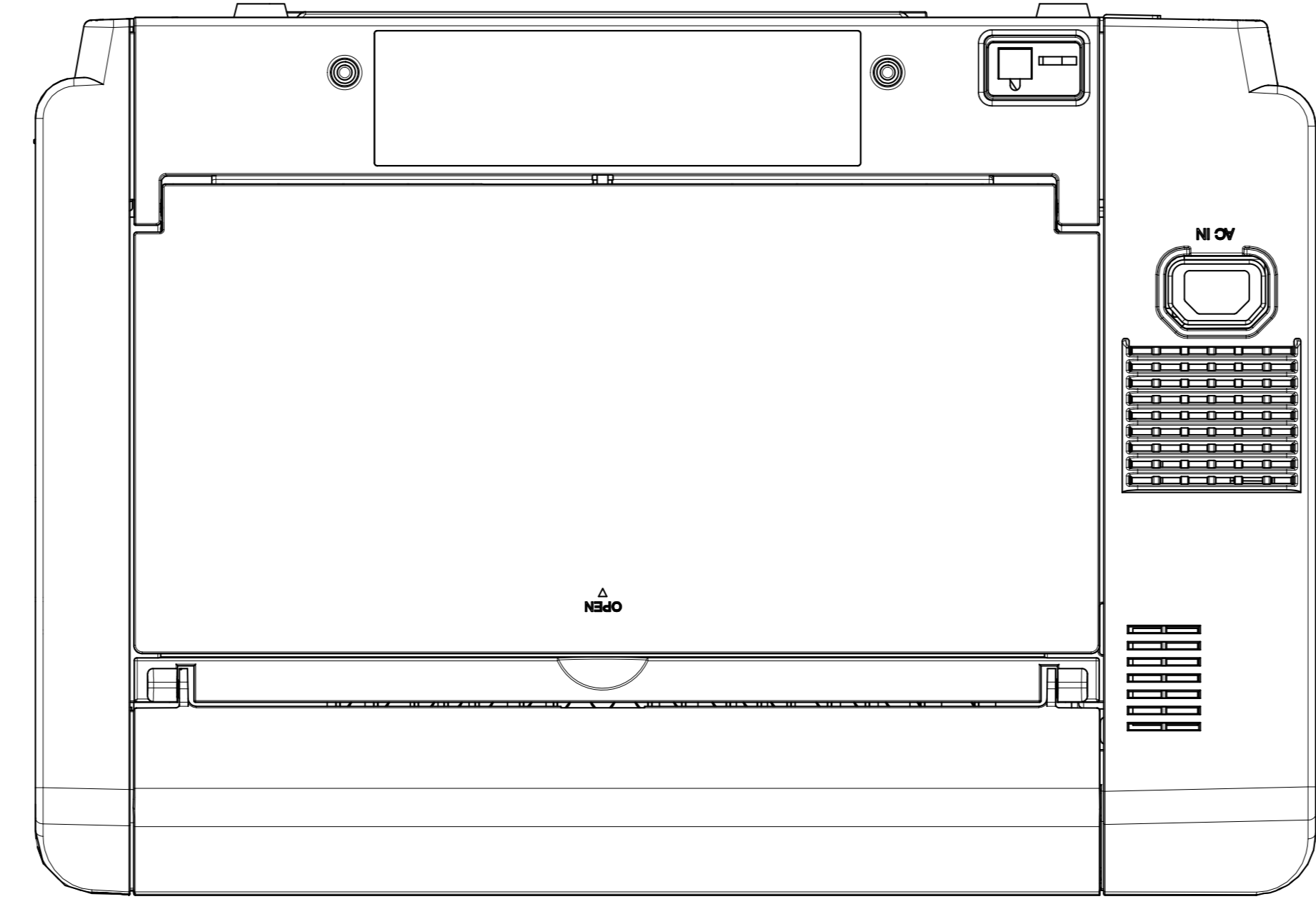


Dimension tolerance				
Dimension	Grade	Length of measuring part		Length of measuring part
		Figures	Units	
0.5 to 3 in.	0.05	0.1	0.2	0.2
Over 3 to 6 in.	0.05	0.1	0.5	0.5
Over 6 to 30 in.	0.1	0.5	1	1
Over 30 to 100 in.	0.5	0.5	1	1
Over 100 to 400 in.	0.2	0.5	1	1
Over 400 to 1000 in.	0.3	0.8	1	1

sym	Date	Revision	Signed/Checked
△			
△			
△			



sym	Item or Code No.	Material / Size	1	Remark
			qt	
				Model KV-S4065CW/S4085CW
Scale	Designed	Drawn	Checked	Approved
1:2				
				Part No
				Name 外観図