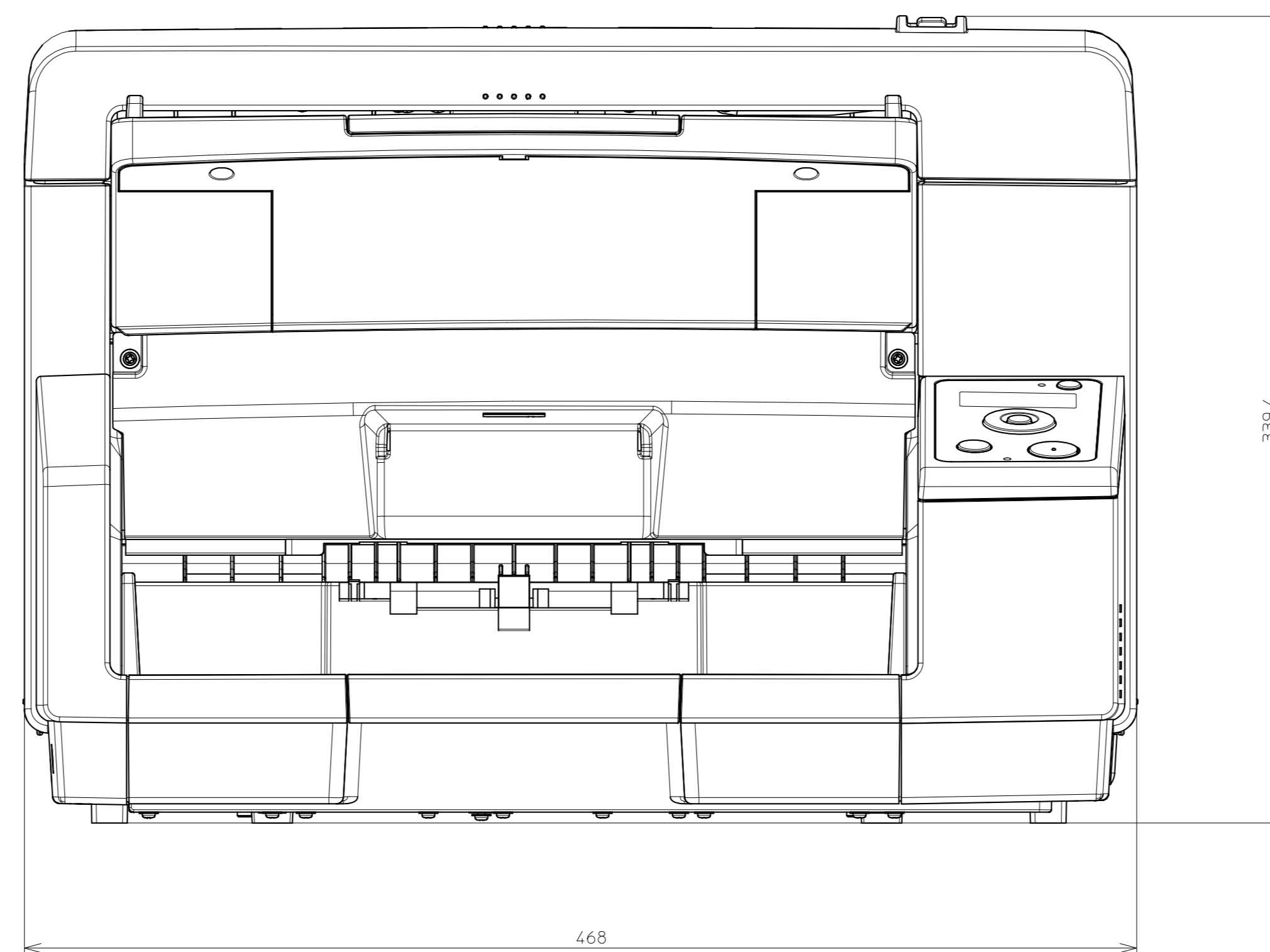
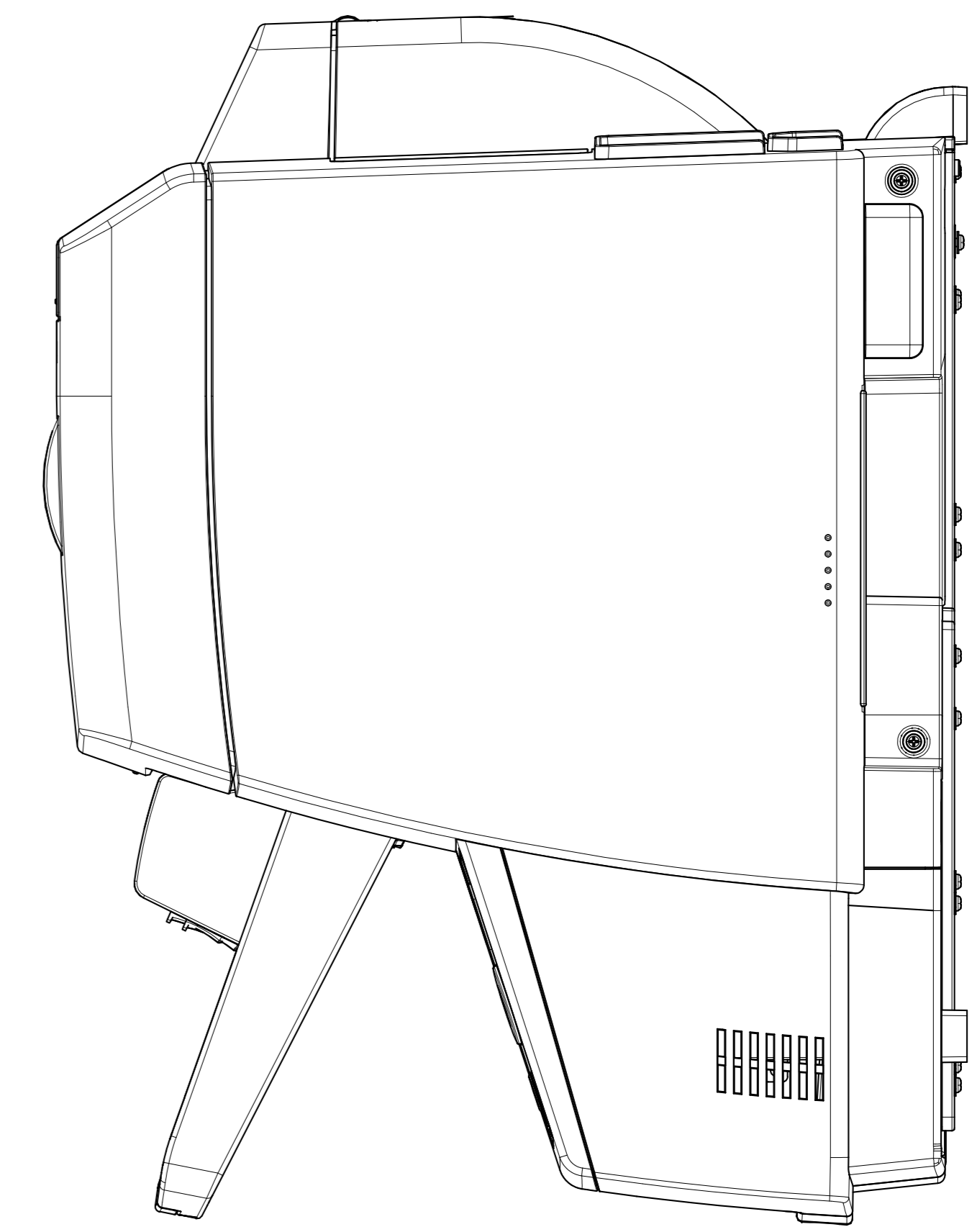
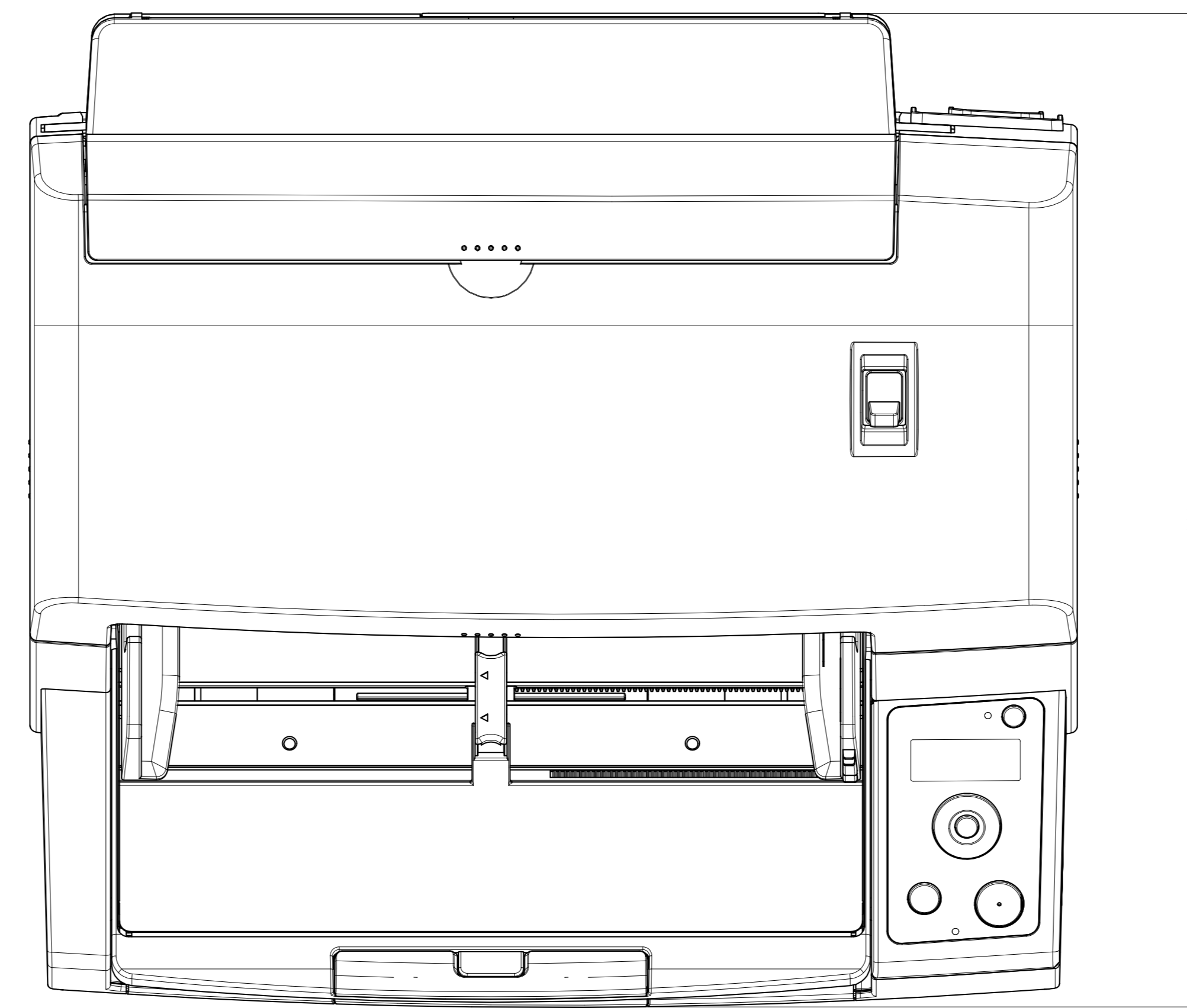
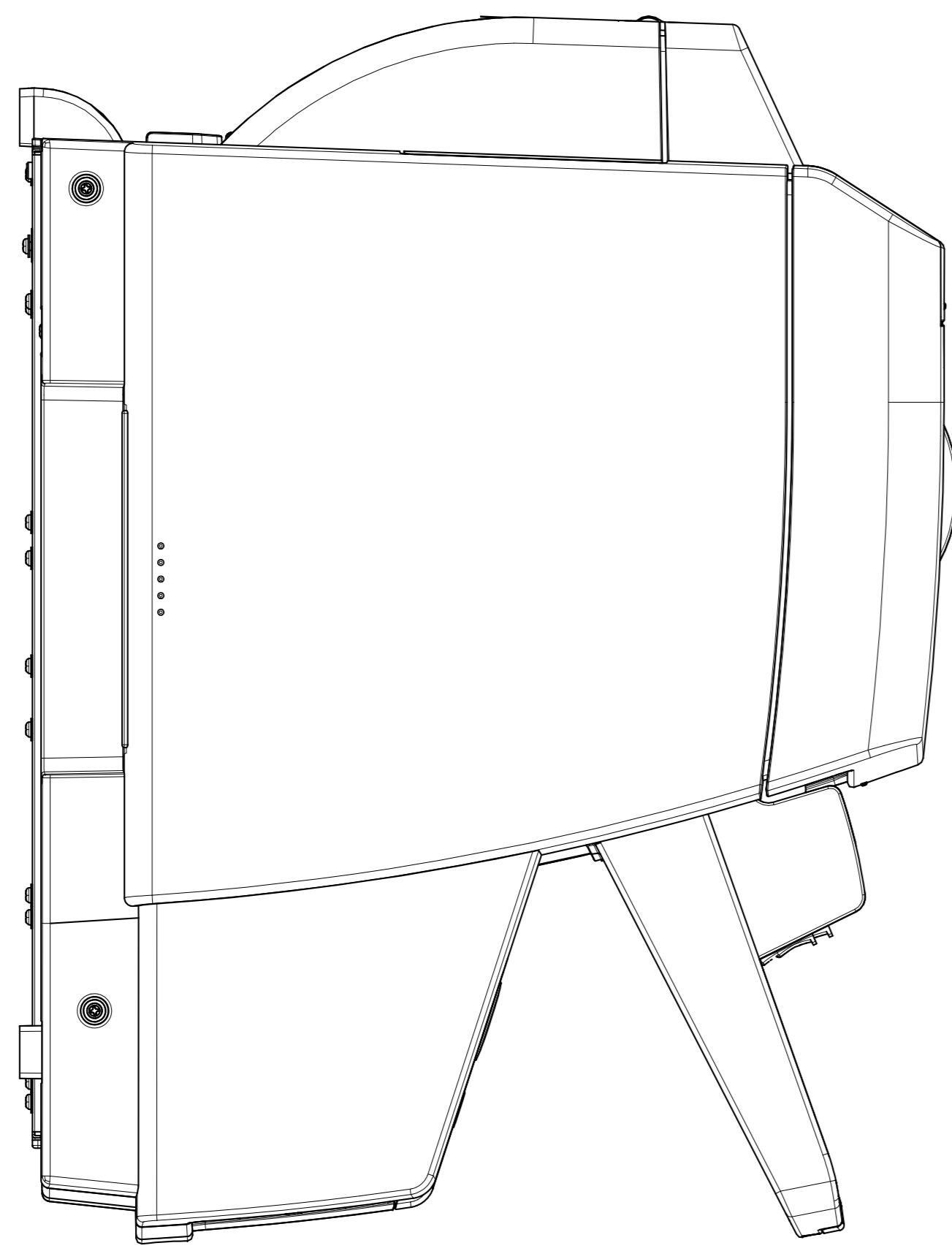
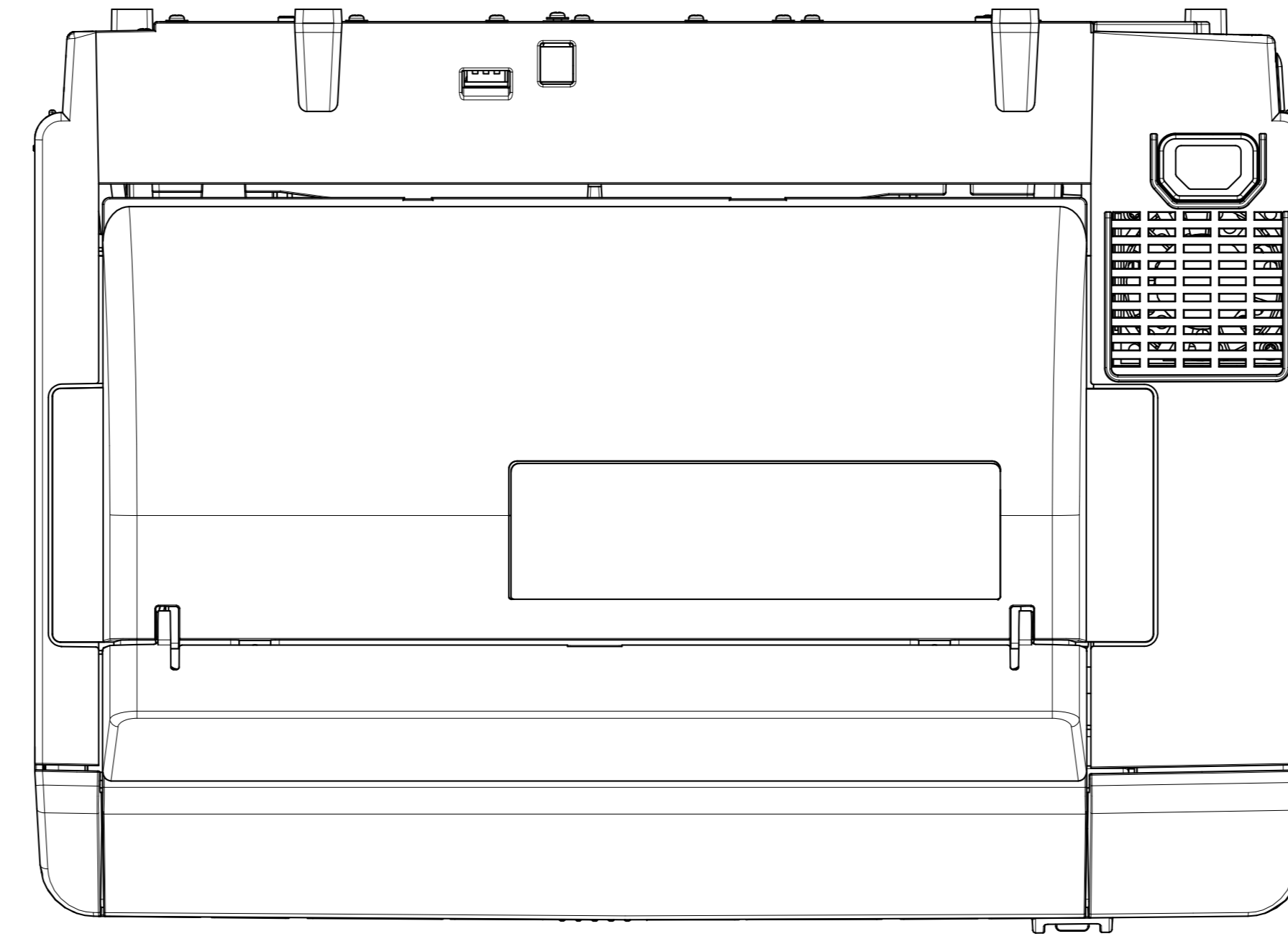


Dimension tolerance				
Dimension	Length, width, diameter, etc.		Length of chamfering part	
	Fit	Fit	Fit	Fit
0.5 to 3 in.	0.05	0.1	0.2	0.2
Over 3 to 6 in.	0.05	0.1	0.2	0.2
Over 6 to 30 in.	0.1	0.2	0.3	0.3
Over 30 to 100 in.	0.15	0.3	0.4	0.4
Over 100 to 400 in.	0.2	0.5	0.6	0.6
Over 400 to 1000 in.	0.3	0.8	1.0	1.0

sym	Date	Revision	Signed/Checked
△			
△			
△			



Item or Code No.	Material / Size	1	Remark
		of	
Model	KV-S5076H/SS046H		
Scale	Designed	Drawn	Checked
1:2			Approved
			Part No.
			Name