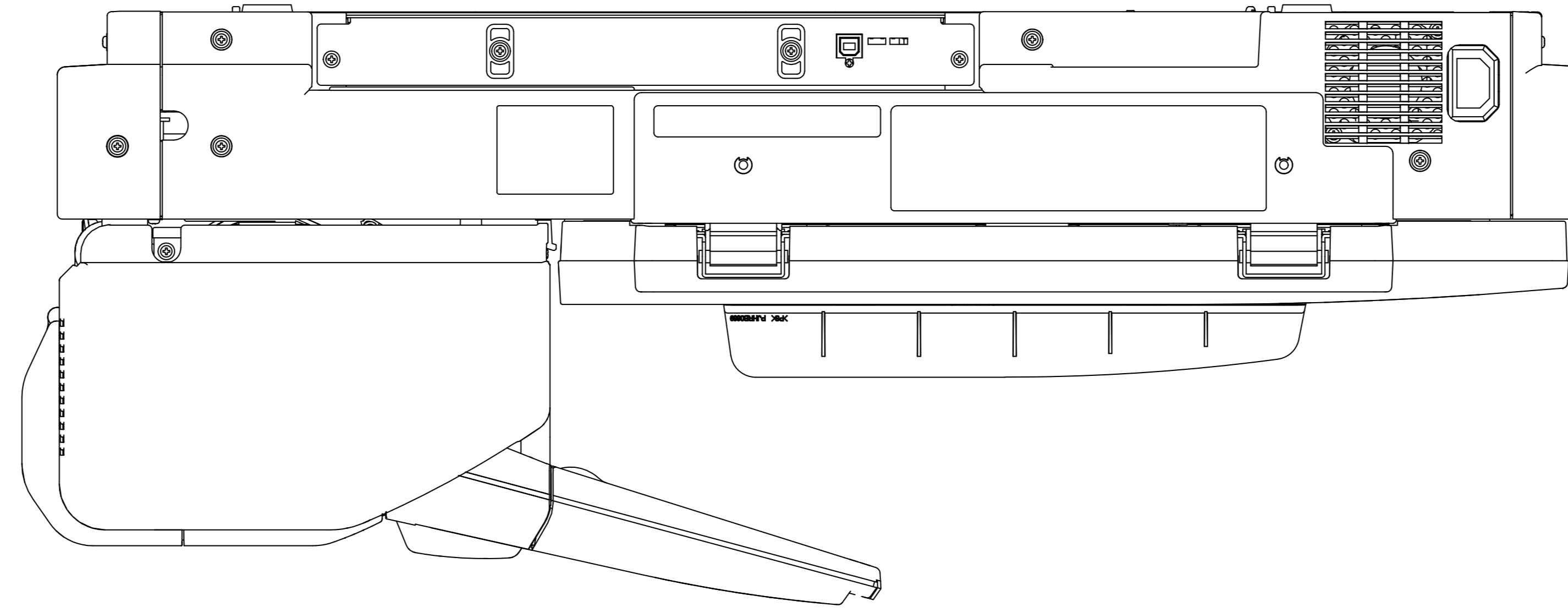
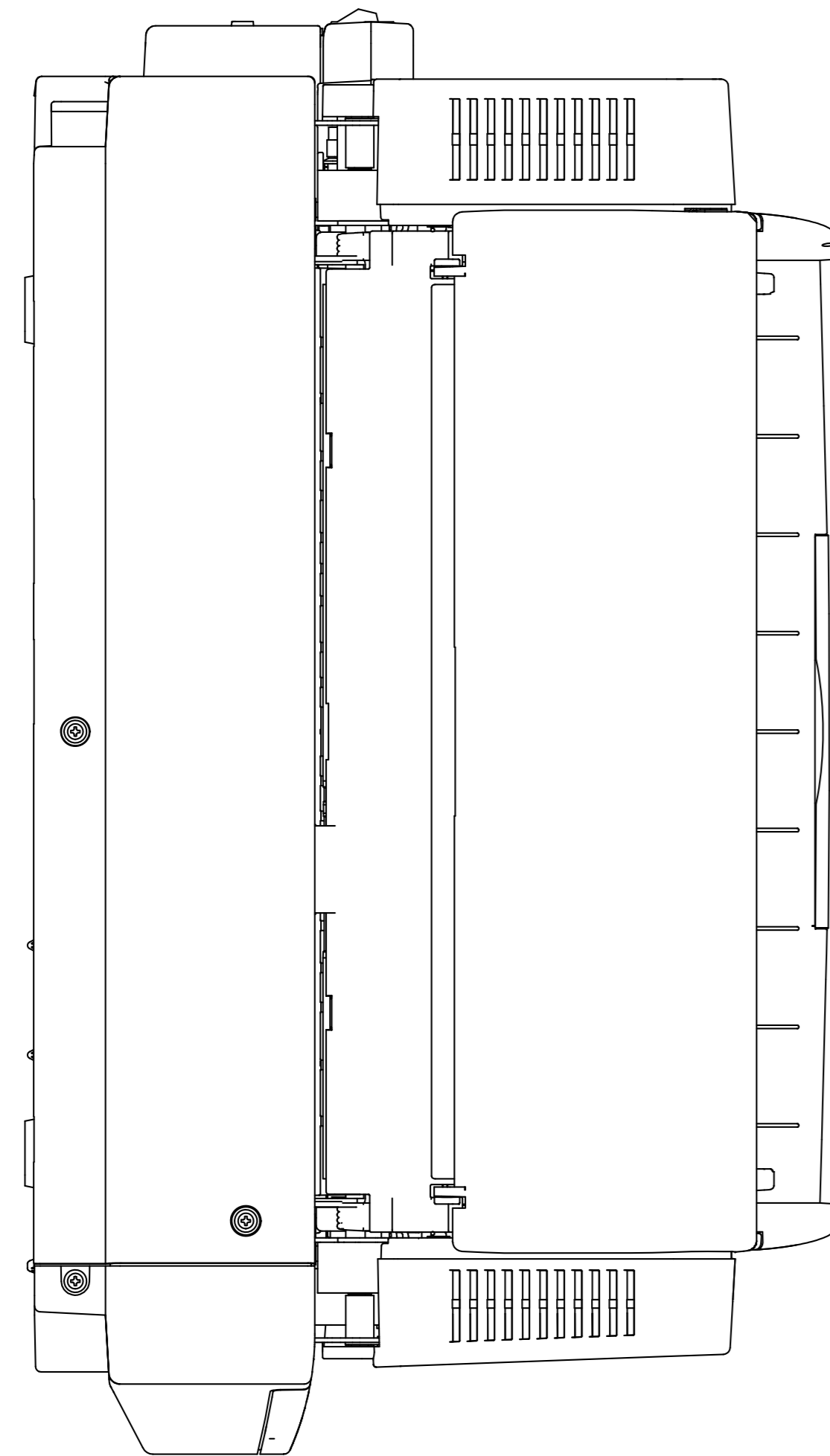


Dimension tolerance				
Dimension	Length, width, diameter, etc.		Length of chamfering part	
	Fit	Fit	Fit	Fit
0.5 to 3 incl.	±0.05	±0.1	±0.2	±0.2
Over 3 to 6 incl.	±0.05	±0.1	±0.2	±0.2
Over 6 to 30 incl.	±0.1	±0.2	±0.3	±0.3
Over 30 to 100 incl.	±0.15	±0.3	±0.4	±0.4
Over 100 to 400 incl.	±0.2	±0.5	±0.6	±0.6
Over 400 to 1000 incl.	±0.3	±0.8	±1.0	±1.0

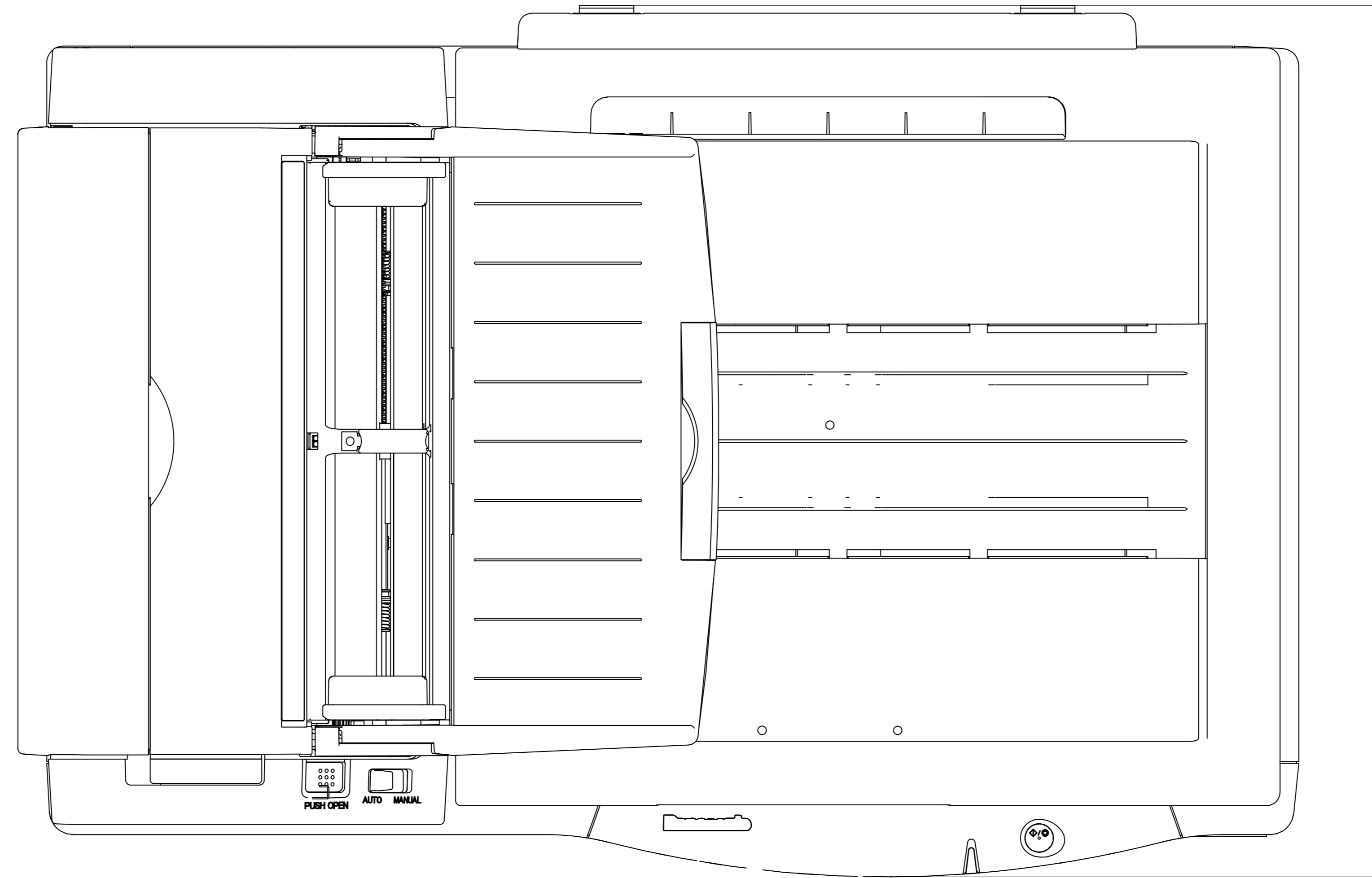
sym	Date	Revision	Signed/Checked
△			
△			
△			



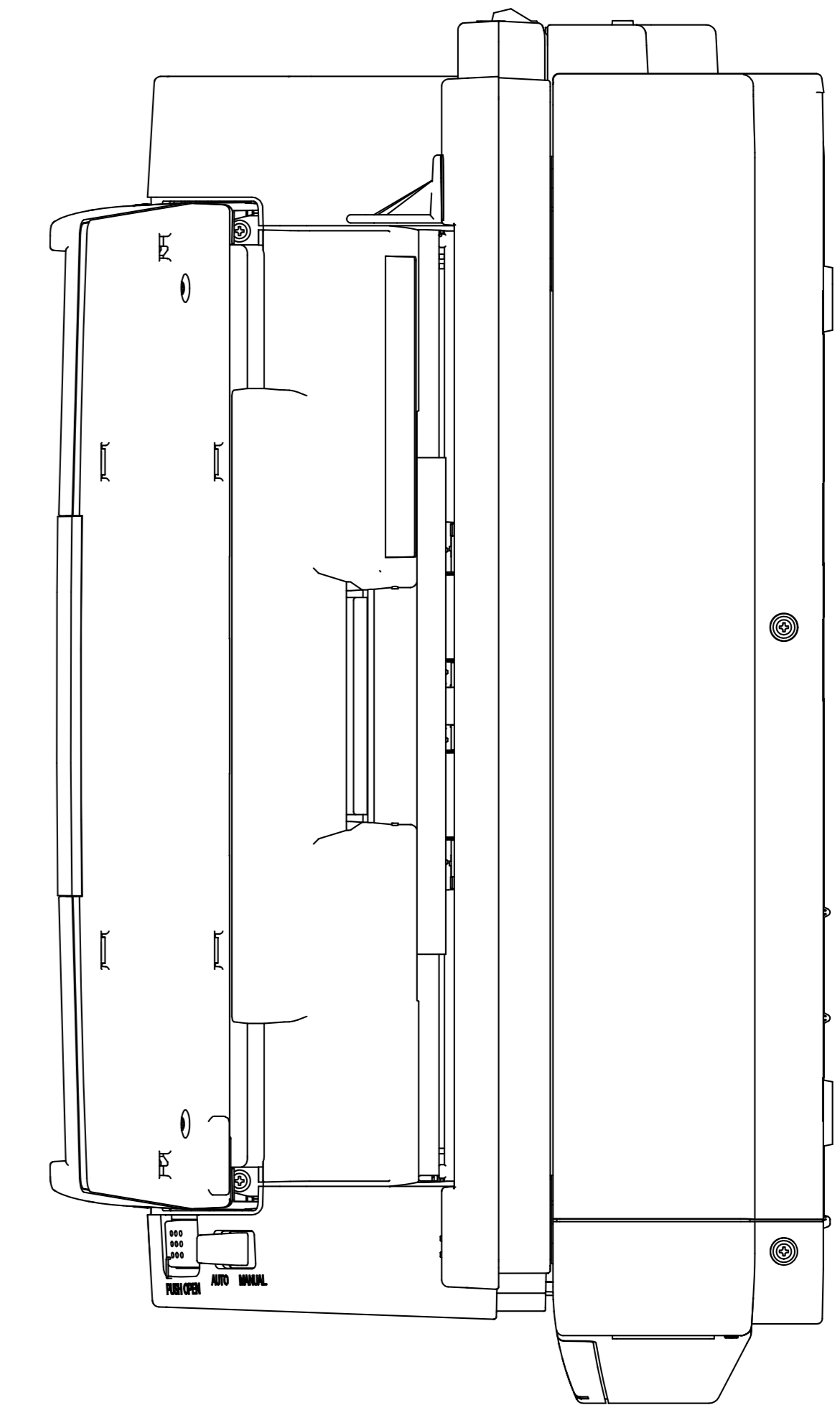
上図1



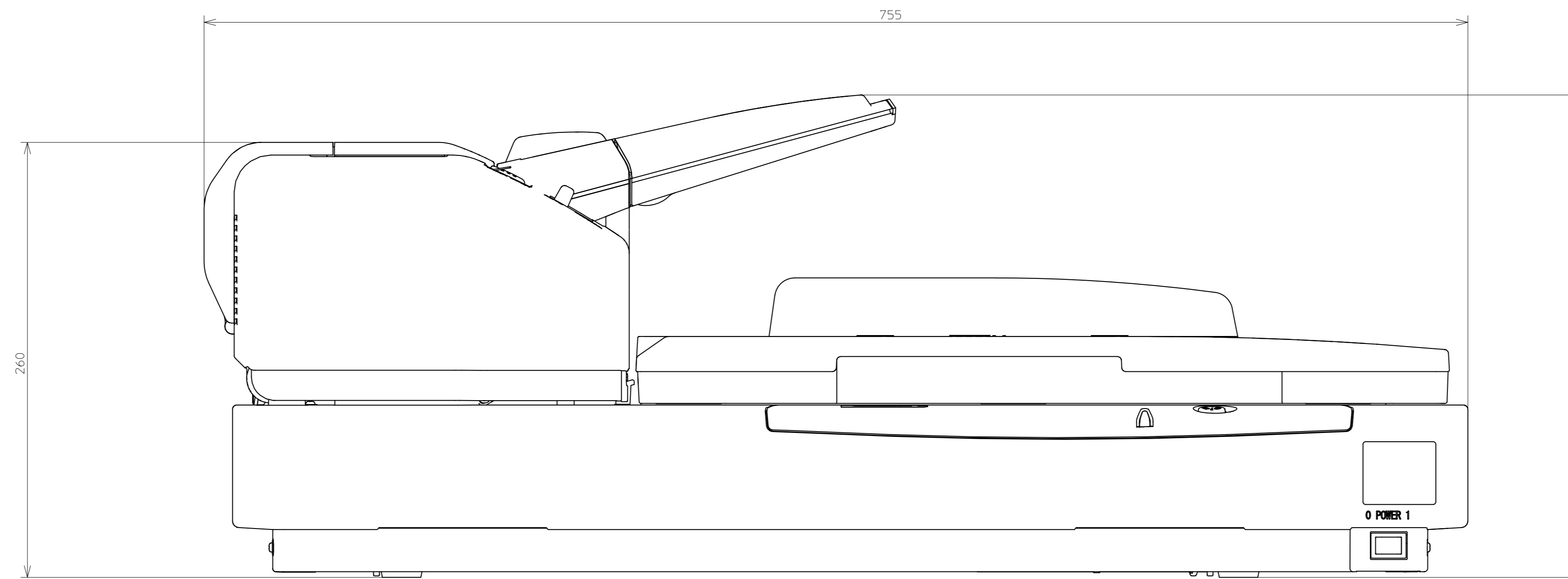
左図1



正面1



右図1



下図1

sym	Item or Code No.	Material / Size	qt	Remark
				Model KV-S7075C
Scale	Designed	Drawn	Checked	Approved
1:2				Part No
				Name 外観図