

# Panasonic®

## Operating Instructions/Bedienungsanleitung/ Mode d'emploi/Istruzioni per l'uso/ Instrucciones de funcionamiento/ 取扱説明書

ENGLISH

DEUTSCH

FRANÇAIS

ITALIANO

ESPAÑOL

日本語

AVC-Intra Codec Board/ AVC-Intra Codec Baugruppe /  
Carte Codec AVC-Intra / Scheda Codec AVC-Intra /  
Placa de Códecos de AVC-Intra /  
AVC-Intra コーデックボード

Model No. **AJ-YBX200G**

**AVC INTRA**

Before operating this product, please read the instructions carefully and save this manual for future use.

Bitte lesen Sie vor Inbetriebnahme dieses Produkts die Anleitungen sorgfältig durch und bewahren Sie dieses Handbuch für spätere Verwendung auf.

Avant de vous servir de ce produit, veuillez lire attentivement les instructions et enregistrer ce manuel pour une utilisation ultérieure.

Prima di utilizzare questo prodotto, leggere attentamente le istruzioni di questo manuale e conservarlo per riferimento futuro.

Antes de poner este producto en funcionamiento, lea atentamente las instrucciones y conserve este manual para uso futuro.

このたびは、「パナソニック製品」をお買い上げいただき、まことにありがとうございます。

■ 取扱説明書をよくお読みの上、正しく安全にお使いください。

■ 保証書は、「お買い上げ日・販売店名」などの記入を確かめ、取扱説明書とともに大切に保管してください。

**CAUTION:**

These servicing instructions are for use by qualified service personnel only. To reduce the risk of fire or electric shock do not perform any servicing other than that contained in the operating instructions unless you are qualified to do so.

---

This product is licensed under the AVC patent portfolio license for the personal and non-commercial use of a consumer to (i) encode video in compliance with the AVC Standard ("AVC Video") and/or (ii) decode AVC Video that was encoded by a consumer engaged in a personal and non-commercial activity and/or was obtained from a video provider licensed to provide AVC Video. No license is granted or shall be implied for any other use. Additional information may be obtained from MPEG LA, LLC. See <http://www.mpegla.com>.

EEE Yönetmeliğine Uygundur.  
EEE Complies with Directive of Turkey.

Pursuant to at the directive 2004/108/EC, article 9(2)  
Panasonic Testing Centre  
Panasonic Service Europe, a division of Panasonic Marketing Europe GmbH  
Winsbergring 15, 22525 Hamburg, F.R. Germany

## Caution

---

- Do not touch this product with wet hands.
- Do not drop this product or subject it to strong shock.
- Avoid touching the product components and board pattern. (Follow these precautions to protect against damage from electrostatic shock.)

## Overview

---

The AJ-YBX200G is an AVC-Intra codec board for the AJ-HPX 2000/2100 memory card camera recorders, an AJ-HPM100/AJ-HPM110 memory card portable recorder/player and an AJ-HPS1500 memory card recorder.

When recording and playback of the AVC-Intra does not work, even when this board is correctly installed, firmware may need to be updated for the main body. For the latest information regarding firmware, visit the P2 Support Desk at the following Web sites.

English: <http://pro-av.panasonic.net/>

## Features

---

The new AVC-Intra codec is supported by installing this product. With Intra-frame compression technology is based on the latest motion picture compression format, the H.264 standard, to achieve high image quality, high compression ratio, and high editing accuracy of HD images.

The AVC-Intra codec of this product supports the following two systems.

- High image quality supporting full-bit HD: AVC-Intra100
- Can be operated at a low rate and low cost: AVC-Intra50

## Supported models

---

Memory card camera recorder:	AJ-HPX2000/2100
Memory card portable recorder/player:	AJ-HPM100/AJ-HPM110
Memory card recorder:	AJ-HPS1500

## Bundled items

---

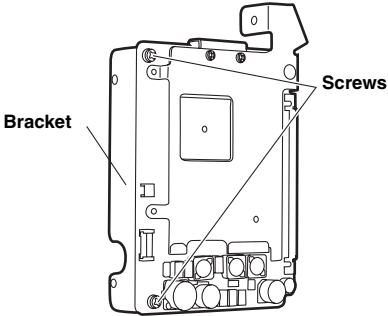
- 2.6 mm screws × 4
- 3.0 mm screws × 2

# Installation in AJ-HPX2000/2100

## CAUTION:

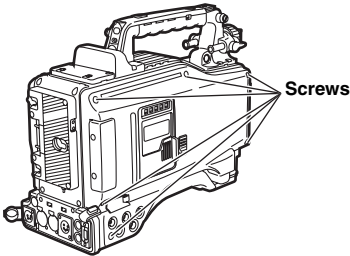
These servicing instructions are for use by qualified service personnel only. To reduce the risk of fire or electric shock do not perform any servicing other than as directed in the operating instructions unless you are qualified to do so.

- 1 Unscrew the two screws from the AJ-YBX200G to remove the bracket.

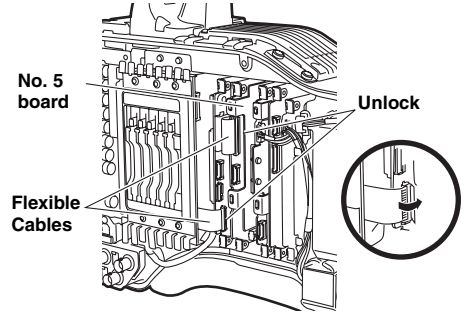


- 2 Be sure that the power of the AJ-HPX2000/2100 is turned off.

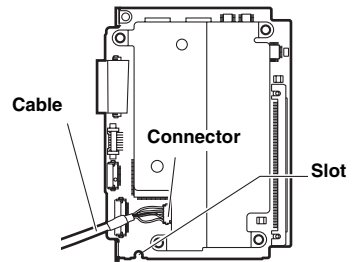
- 3 Unscrew the six screws on the left side of the AJ-HPX2000/2100 (on the left as viewed from the front) to remove the side panel.



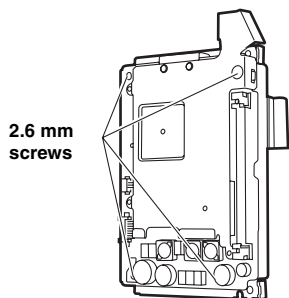
- 4 Unlock the two parts to disconnect the two flexible cables, and then remove the No.5 board.



- 5 Disconnect the cable from the No.5 board removed in Step 4. In this operation, the cable may become disconnected if pulled, so remove it while holding the connector.



- 6** Place the AJ-YBX200G into the terminal of the board in Step **5** and fix it by using the four 2.6 mm screws.



- 7** Reconnect the cable removed in Step **5** as it was originally.
- 8** Reinsert the No.5 board into its original position. In this operation, allow the cable connected in Step **7** to run along the slot of the No.5 board. (See Figure **5**) Insert the flexible cables removed in Step **4** into the original positions.
- 9** Return the side panel to the original position and secure it with the screws. In this operation, ensure that the cable disconnected in Step **5** is not caught in the slot.

If the flexible cables are not locked or the board is inserted at a slant, the camera recorder may have trouble recording.

# Setting AJ-HPX2000/2100

When recording with the AJ-HPX2000/2100 using the AVC-Intra codec, settings are adjusted on the <SYSTEM MODE> screen in SYSTEM SETTING of the setup menu.

To adjust the settings, see the operation manual of the AJ-HPX2000/2100.

Recording format		Settings for the main menu	
		SYSTEM MODE	REC MODE
AVC-Intra 100	1080/59.94i	1080-59.94i	AVC-I 100
	720/59.94P	720-59.94P	
AVC-Intra 50	1080/59.94i	1080-59.94i	AVC-I 50
	720/59.94P	720-59.94P	
AVC-Intra 100	1080/50i	1080-50i	AVC-I 100
	720/50P	720-50P	
AVC-Intra 50	1080/50i	1080-50i	AVC-I 50
	720/50P	720-50P	

## <Notes>

- When switching items in SYSTEM MODE, turn off the power of the main body and then turn it on again.
- During playback, the format is automatically identified. However, clips with a different SYSTEM MODE cannot be played.

## Setting menu

When this product is equipped with the AJ-HPX2000/2100, the following setup menu becomes available.

SYSTEM MODE screen in SYSTEM SETTING

Item/Data storage	Variable range	Remarks
REC MODE	HD mode (1080i): DVCPRO HD AVC-I 50 AVC-I 100 HD mode (720P): DVCPRO HD DVC HD (N) AVC-I 50 AVC-I 100	Select the recording mode. <b>DVCPRO HD:</b> Record with the DVCPRO HD format. <b>DVC HD (N):</b> Record in the Native mode of DVCPRO HD. <b>AVC-I 50:</b> Record in AVC-I 50 format. <b>AVC-I 100:</b> Record in AVC-I 100 format.

DIAGNOSTIC 2 screen in MAINTENANCE

Item/Data storage	Variable range	Remarks
AVC-I SOFT		Display the control software version of the AVC-I board (optional).
AVC-I FPGA		Display the FPGA program version of the AVC-I board (optional).

## Error message

By Equipping this product with the AJ-HPX2000/2100 adds the following error code display.

When an error occurs for any reason, the following error code is displayed in the display window.

Code No.	Details
E-39	Initialization defect on the AVC-I optional board

## Instructions for use

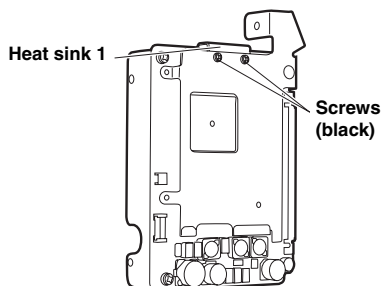
- Input and output with IEEE 1394 cannot be performed during playback and recording of the AVC-Intra.
- Clips played at 23.98P or 29.97P frame rate recorded with the camera recorder are pulled down to 1080/59.94i or 720/59.94P for output. Clips played at 25P frame rate recorded with the camera recorder are pulled down to 1080/50i or 720/50P for output.
- Text memos of clips that cannot be played, such as those with a different SYSTEM MODE, cannot be displayed as thumbnails.

# Installation into the AJ-HPM100/AJ-HPM110

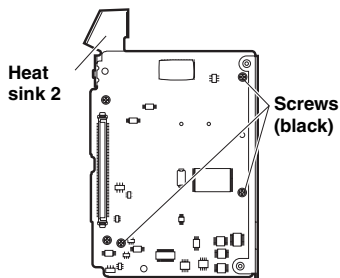
**CAUTION:**

These servicing instructions are for use by qualified service personnel only. To reduce the risk of fire or electric shock, do not perform any servicing other than as directed in the operating instructions unless you are qualified to do so.

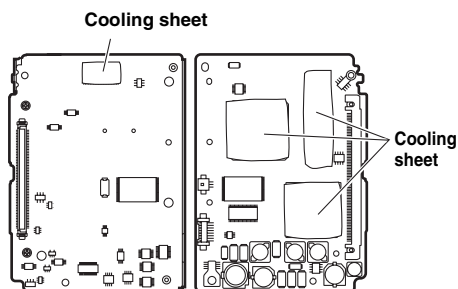
- 1 Unscrew the two screws from the AJ-YBX200G to remove heat sink 1.



- 2 Unscrew the three screws and nuts from the AJ-YBX200G to remove heat sink 2.

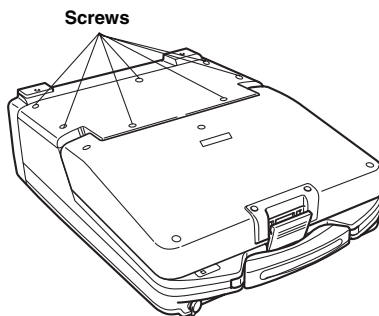


- 3 Remove the cooling sheets if they remain on the AJ-YBX200G after removing heat sinks 1 and 2.

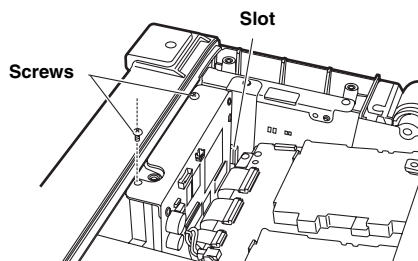


- 4 Make sure that the power of the AJ-HPM100/AJ-HPM110 is turned off.

- 5 Unscrew the 7 screws from the AJ-HPM100/AJ-HPM110 to remove the top panel.



- 6 Place the AJ-YBX200G into the terminal of the AJ-HPM100/AJ-HPM110 running along the slot of AJ-HPM100/AJ-HPM110, and secure it using the two 3.0 mm screws.



- 7 Replace the top panel, and screw it on.

# Settings for the AJ-HPM100/AJ-HPM110

When recording with the AJ-HPM100 using the AVC-Intra codec, settings are adjusted in the setup menu.

See the operation manual of the main body for instructions on how to configure the setup menu.

Recording format		Settings of the setup menu		
		25: SYSTEM FREQ	020: SYS FORMAT	025: REC FMT (HD)
AVC-Intra 100	1080/59.94i	59.94	1080i	AVC100
	720/59.94P		720p	
AVC-Intra 50	1080/59.94i		1080i	AVC50
	720/59.94P		720p	
AVC-Intra 100	1080/50i	50	1080i	AVC100
	720/50P		720p	
AVC-Intra 50	1080/50i		1080i	AVC50
	720/50P		720p	

## <Notes>

- During playback, the format is automatically identified. However, clips with a different system frequency cannot be played.
- See the operation manual of the main body for instructions on how to configure the system frequency setup for the AJ-HPM110.

## Setup menu

When this product is equipped with the AJ-HPM100/AJ-HPM110, the following setup menu becomes available.

Item		Setting		Setting details and description of outline function
FR No.	SUPER DISP.	FR No.	SUPER DISP.	
025	REC FMT(HD)	0000 0001 0002	DVCPRO AVC50 AVC100	Select the recording format when menu No. 020 SYS FORMAT is set to 1080i or 720p. 0: Select DVCPRO HD (100 Mbps). 1: Select AVC-Intra 50. 2: Select AVC-Intra 100.

\_\_\_\_\_ is the factory setting mode.

## Error message

When this product is equipped with the AJ-HPM100/AJ-HPM110, the following error message is added.

Error		Details	Operation
Number	Message		
E-39	CONFIG ERROR	Displayed when the AVC-I optional board cannot be initialized. Because failure of the optional board is possible, contact the store where you purchased it.	The AJ-HPM100/AJ-HPM110 stops working.

## Instructions for use

- Input and output with IEEE 1394 cannot be performed during playback and recording of the AVC-Intra.
- Clips played at 23.98P or 29.97P frame rate recorded with the camera recorder are pulled down to 1080/59.94i or 720/59.94P for output. Clips played at 25P frame rate recorded with the camera recorder are pulled down to 1080/50i or 720/50P for output. (AJ-HPM100 only)
- Text memos of clips that cannot be played, such as those with a different system frequency, cannot be displayed as thumbnails.

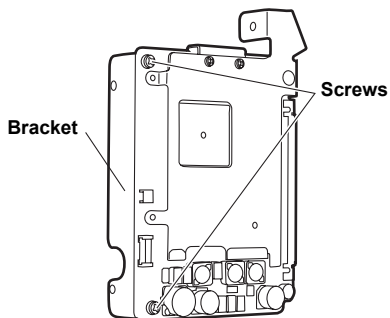


# Installation into the AJ-HPS1500

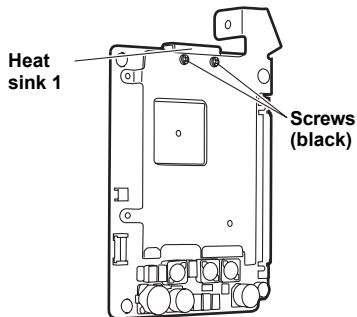
## CAUTION:

These servicing instructions are for use by qualified service personnel only. To reduce the risk of fire or electric shock, do not perform any servicing other than as directed in the operating instructions unless you are qualified to do so.

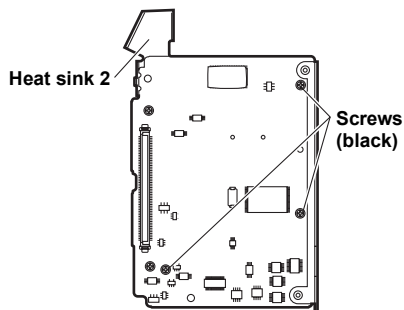
- 1** Unscrew the two screws from the AJ-YBX200G to remove the bracket.



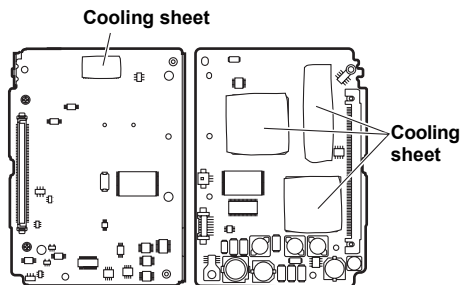
- 2** Unscrew the two screws from the AJ-YBX200G to remove heat sink 1.



- 3** Unscrew the three screws and nuts from the AJ-YBX200G to remove heat sink 2.

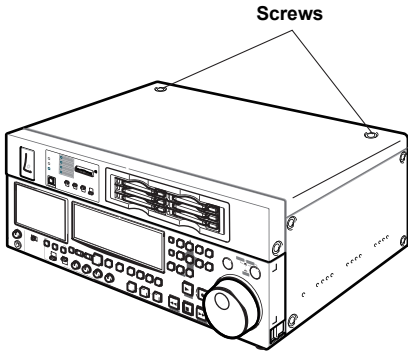


- 4** Remove the cooling sheets if they remain on the AJ-YBX200G after removing heat sinks 1 and 2.

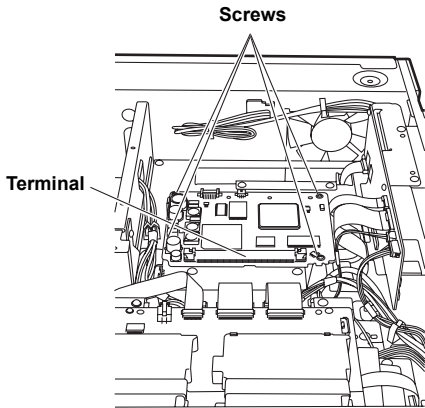


- 5** Make sure that the power of the AJ-HPS1500 is turned off.

- 6** Unscrew the two screws from the AJ-HPS1500 to remove the top panel.



- 7** Place the AJ-YBX200G into the terminal of the AJ-HPS1500, and secure it using the four 2.6 mm screws.



- 8** Replace the top panel, and screw it on.

# Settings for the AJ-HPS1500

When recording with the AJ-HPS1500 using the AVC-Intra codec, settings are adjusted in the setup menu.

See the operation manual of the main body for instructions on how to configure the setup menu.

Recording format		Settings of the setup menu		
		25: SYSTEM FREQ	020: SYS FORMAT	025: REC FMT (HD)
AVC-Intra 100	1080/59.94i	59.94	1080i	AVC100
	720/59.94P		720p	
AVC-Intra 50	1080/59.94i		1080i	AVC50
	720/59.94P		720p	
AVC-Intra 100	1080/50i	50	1080i	AVC100
	720/50P		720p	
AVC-Intra 50	1080/50i		1080i	AVC50
	720/50P		720p	

## <Notes>

- During playback, the format is automatically identified. However, clips with a different system frequency cannot be played.
- See the operation manual of the main body for instructions on how to configure the system frequency setup for the AJ-HPS1500.

## Setup menu

When this product is equipped with the AJ-HPS1500, the following setup menu becomes available.

Item		Setting		Setting details and description of outline function
FR No.	SUPER DISP.	FR No.	SUPER DISP.	
025	REC FMT(HD)	0000 0001 0002	DVCPRO AVC50 AVC100	Select the recording format when menu No. 020 SYS FORMAT is set to 1080i or 720p. 0: Select DVCPRO HD (100 Mbps). 1: Select AVC-Intra 50. 2: Select AVC-Intra 100.

\_\_\_\_\_ is the factory setting mode.

## Error message

When this product is equipped with the AJ-HPS1500, the following error message is added.

Error		Details	Operation
Number	Message		
E-39	CONFIG ERROR	Displayed when the AVC-I optional board cannot be initialized. Because failure of the optional board is possible, contact the store where you purchased it.	The AJ-HPS1500 stops working.

## Instructions for use

- Clips played at 23.98P or 29.97P frame rate recorded with the camera recorder are pulled down to 1080/59.94i or 720/59.94P for output. Clips played at the 25P frame rate recorded with the camera recorder are pulled down to 1080/50i or 720/50P for output.
- Text memos of clips that cannot be played, such as those with a different system frequency, cannot be displayed as thumbnails.

# Specifications

---

## AVC-Intra Codec Board

Dimensions (W × H × D):

115 mm × 84 mm × 13 mm

(4-9/16 inches × 3-5/16 inches ×

12-1/2 inches)

(excluding bracket and heat sinks)

Weight :

80 g (0.18 lb)

(excluding bracket and heat sinks)

## VIDEO

Video recording formats :

AVC-Intra100, AVC-Intra50

Frequency range:

Y: 74.1758 MHz (59.94 Hz)

P<sub>B</sub>/P<sub>R</sub>: 37.0879 MHz (59.94 Hz)

Y: 74.25 MHz (50 Hz)

P<sub>B</sub>/P<sub>R</sub>: 37.175 MHz (50 Hz)

Quantization:

10 bits

Compression technology :

H.264/AVC intra profile

Weight and dimensions when shown are approximately. Specifications are subject to change without notice.

**VORSICHT:**

Diese Wartungsanleitung ist nur für qualifiziertes Wartungspersonal vorgesehen. Um die Gefahr von elektrischen Schlägen zu reduzieren, sollten Sie keine anderen Wartungsarbeiten außer den in der Bedienungsanleitung enthaltenen durchführen, wenn Sie nicht dafür qualifiziert sind.

Dieses Produkt wird unter der "AVC Patent Portfolio License" für die persönliche und nicht kommerzielle Nutzung durch einen Endverbraucher lizenziert. Im Rahmen dieser Lizenz darf der Endverbraucher (i) Videomaterial nach dem AVC-Standard ("AVC Video") codieren und/oder (ii) AVC-Videomaterial decodieren, das von einem Endverbraucher im Rahmen persönlicher und nicht kommerzieller Aktivitäten codiert wurde, und/oder AVC-Videomaterial decodieren, das von einem Videoanbieter bezogen wurde, der für die Bereitstellung von AVC-Videomaterial lizenziert wurde. Für alle anderen Verwendungen wird weder eine Lizenz erteilt, noch darf diese impliziert werden. Weitere Informationen erhalten Sie bei MPEG LA, LLC. Siehe <http://www.mpegla.com>.

Entsprechend der Richtlinie 2004/108/EG, Artikel 9(2)

**Panasonic Testing Centre**

Panasonic Service Europe, eine Abteilung der Panasonic Marketing Europe GmbH  
Winsbergring 15, 22525 Hamburg, Deutschland

# Achtung

---

- Berühren Sie dieses Produkt nicht mit nassen Händen.
- Lassen Sie dieses Produkt nicht fallen und setzen Sie des keinen Stößen aus.
- Vermeiden Sie die Berührung der Bauteile und Karten des Produktes. (Folgen Sie diesen Sicherheitshinweisen um vor Schäden durch elektrostatische Ladung vorzubeugen.)

# Übersicht

---

Das AJ-YBX200G ist eine AVC-Intra Codec Baugruppe für die AJ-HPX 2100 Speicherkarten-Kamerarecorder, den AJ-HPM100/AJ-HPM110 Speicherkartenrecorder/Player und den AJ-HPS1500 Speicherkartenrecorder.

Wenn die Aufnahme und Wiedergabe der AVC-Intra nicht arbeitet, auch wenn die Baugruppe korrekt installiert ist, könnte eine Aktualisierung der Firmware des Hauptgerätes notwendig sein. Für neuste Informationen zur Firmware, besuchen Sie bitte das P2 Support Desk auf den folgenden Webseiten:

Englisch: <http://pro-av.panasonic.net/>

# Eigenschaften

---

Der neue AVC-Intra Codec wird durch die Installation dieses Produktes unterstützt. Mit der Intra-Frame Komprimierungstechnologie die welche auf dem neusten Video-Komprimierungsformat basiert, dem H.264-Standard, erhält man hohe Bildqualität, hohe Komprimierungsrate und hohe Bearbeitungspräzision von HD-Aufnahmen.

Der AVC-Intra Codec dieses Produktes unterstützt folgende zwei Systeme.

- Hohe Bildqualität unterstützt Full-Bit HD: AVC-Intra100
- Kann bei niedriger Rate und niedrigen Kosten betrieben werden: AVC-Intra50

# Unterstützte Modelle

---

Speicherkarten-Kamerarecorder: AJ-HPX2100

Speicherkartenrecorder/Player: AJ-HPM100/AJ-HPM110

Speicherkartenrecorder: AJ-HPS1500

# Lieferumfang

---

2,6 mm Schrauben × 4

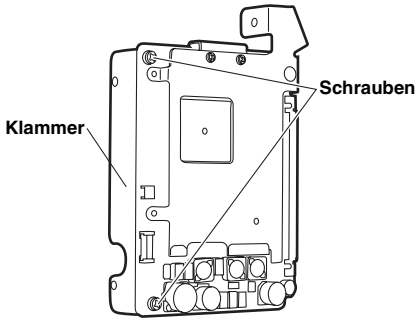
3,0 mm Schrauben × 2

# Installation in AJ-HPX2100

## VORSICHT:

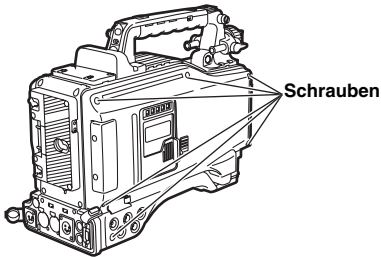
Diese Wartungsanleitung ist nur für qualifiziertes Wartungspersonal vorgesehen. Um die Gefahr von elektrischen Schlägen zu reduzieren, sollten Sie keine anderen Wartungsarbeiten außer den in der Bedienungsanleitung enthaltenen durchführen, wenn Sie nicht dafür qualifiziert sind.

- 1** Entfernen Sie die Beiden Schrauben von der AJ-YBX200G um die Klammer zu entfernen.

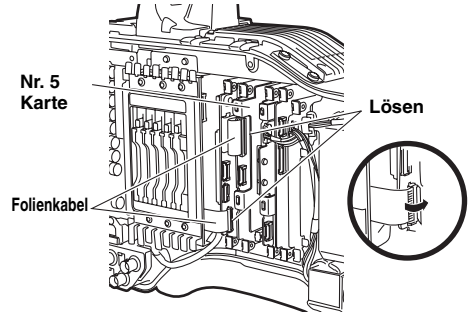


- 2** Stellen Sie sicher, dass der AJ-HPX2100 ausgeschaltet ist.

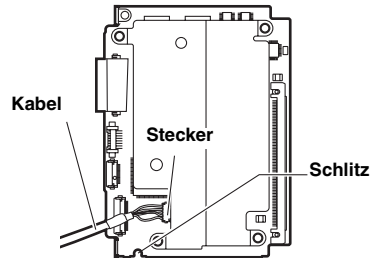
- 3** Entfernen Sie die sechs Schrauben auf der linken Seite des AJ-HPX2100 (linke von der Vorderseite aus gesehen) um die Seitenverkleidung zu entfernen.



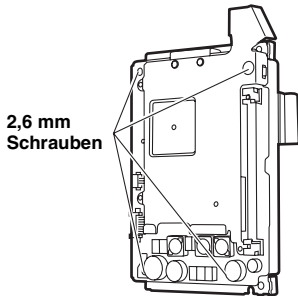
- 4** Lösen Sie die beiden Teile, um die zwei Folienkabel zu entfernen und entfernen Sie dann Karte Nr.5.



- 5** Entfernen Sie das Kabel von der Karte Nr.5, welche im Schritt 4 entfernt wurde. Bei dieser Operation kann sich das Kabel beim Ziehen lösen, deshalb beim entfernen den Stecker halten.



- 6** Bringen Sie die AJ-YBX200G in den Anschluss der Baugruppe von Schritt **5** und befestigen Sie sie mit den vier Schrauben 2,6 mm.



- 7** Schließen Sie das in Schritt **5** entfernte Kabel wieder wie ursprünglich an.
- 8** Stecken Sie die Baugruppe Nr.5 wieder in ihre ursprüngliche Position. Führen sie bei dieser Operation das in Schritt **7** angeschlossene Kabel entlang dem Steckplatz der Baugruppe Nr.5. (Siehe Abbildung **5** ) Stecken Sie die in Schritt **4** entfernten Folienkabel wieder in ihre ursprünglichen Positionen ein.
- 9** Bringen Sie die Seitenverkleidung wieder an ihrer ursprünglichen Position an und Sichern Sie sie mit den Schrauben. Bei dieser Operation sicherstellen, dass das in Schritt **5** entfernte Kabel nicht im Steckplatz eingeklemmt wird.

Wenn die Folienkabel nicht fest sind oder die Baugruppe schief eingesteckt ist, könnte die Aufnahmefunktion des Kamerarecorders gestört sein.



# Einstellung AJ-HPX2100

Wenn mit dem AJ-HPX2100 unter Verwendung des AVC-Intra Codec aufgenommen wird, werden die Einstellungen im Bildschirm <SYSTEM MODE> in den SYSTEM SETTING des Einstellungsmenüs vorgenommen.

Zur Änderung der Einstellungen, siehe die Bedienungsanleitung des AJ-HPX2100.

Aufnahmeformat		Einstellungen des Hauptmenüs	
		SYSTEM MODE	REC MODE
AVC-Intra 100	1080/59,94i	1080-59.94i	AVC-I 100
	720/59,94P	720-59.94P	
AVC-Intra 50	1080/59,94i	1080-59.94i	AVC-I 50
	720/59,94P	720-59.94P	
AVC-Intra 100	1080/50i	1080-50i	AVC-I 100
	720/50P	720-50P	
AVC-Intra 50	1080/50i	1080-50i	AVC-I 50
	720/50P	720-50P	

## <Hinweise>

- Wenn Elemente im SYSTEM MODE umgeschaltet werden, schalten Sie das Hauptgerät aus und wieder ein.
- Während der Wiedergabe wird das Format automatisch erfasst. Clips mit einem anderen SYSTEM MODE können jedoch nicht wiedergegeben werden.

## Einstellungs Menü

Wenn dieses Produkt mit dem AJ-HPX2100 ausgestattet wird, steht folgendes Setupmenü zur Verfügung.

Bildschirmanzeige SYSTEM MODE in SYSTEM SETTING

Element/Datenspeicherung	Variabler Bereich	Bemerkungen
REC MODE	HD Modus (1080i): DVCPRO HD AVC-I 50 AVC-I 100 HD Modus (720P): DVCPRO HD DVC HD (N) AVC-I 50 AVC-I 100	Wählt den Aufnahmemodus. <b>DVCPRO HD:</b> Aufnahme im Format DVCPRO HD. <b>DVC HD (N):</b> Aufnahme im ursprünglichen Modus von DVCPRO HD. <b>AVC-I 50:</b> Aufnahme im Format AVC-I 50. <b>AVC-I 100:</b> Aufnahme im Format AVC-I 100.

Bildschirmanzeige DIAGNOSTIC 2 in MAINTENANCE

Element/Datenspeicherung	Variabler Bereich	Bemerkungen
AVC-I SOFT		Anzeige der Version der Steuerungssoftware der Baugruppe AVC-I (Optional).
AVC-I FPGA		Anzeige der Version des FPGA Programms der Baugruppe AVC-I (Optional).

## Fehlermeldung

Wird dieses Produkt an den AJ-HPX2100 angeschlossen, wird die Anzeige folgender Fehlercodes hinzugefügt.

Wenn aus irgendeinem Grund ein Fehler auftaucht, erscheint der Fehlercode im Anzeigefenster.

Code Nr.	Details
E-39	Initialisierungsfehler der Baugruppe AVC-I

## Bedienungsanleitung

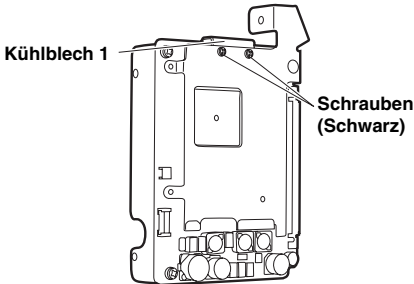
- Die Ein- und Ausgabe über IEEE 1394 kann nicht während der Aufnahme und Wiedergabe der AVC-Intra ausgeführt werden.
- Clips welche mit dem Kamerarecorder mit einer Bildwiederholfrequenz von 23,98P oder 29,97P aufgenommen wurden, sinken bei der Ausgabe auf 1080/59,94i oder 720/59,94P. Wiedergegebene Clips welche mit dem Kamerarecorder mit einer Bildwiederholfrequenz von 25P aufgenommen wurden, sinken bei der Ausgabe auf 1080/50i oder 720/50P.
- Textmemos der Clips können nicht wiedergegeben werden, wie z.B. welche mit anderem SYSTEM MODE, können nicht als Miniaturansichten angezeigt werden.

# Installation in AJ-HPM100/AJ-HPM110

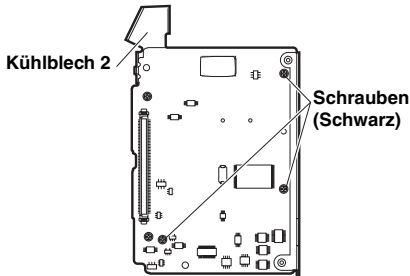
## VORSICHT:

Diese Wartungsanleitung ist nur für qualifiziertes Wartungspersonal vorgesehen. Um die Gefahr von elektrischen Schlägen zu reduzieren, sollten Sie keine anderen Wartungsarbeiten außer den in der Bedienungsanleitung enthaltenen durchführen, wenn Sie nicht dafür qualifiziert sind.

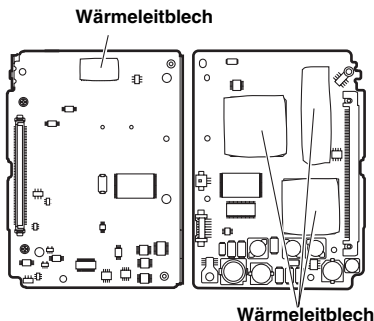
- 1** Entfernen Sie die beiden Schrauben an der AJ-YBX200G um das Kühlblech 1 zu entfernen.



- 2** Entfernen Sie die drei Schrauben und Muttern an der AJ-YBX200G um das Kühlblech 2 zu entfernen.

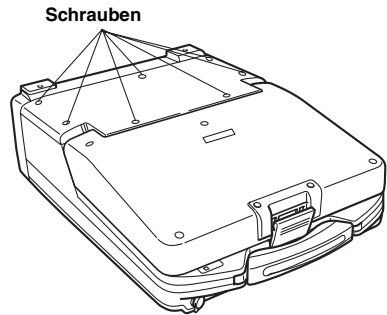


- 3** Entfernen Sie die Wärmeleitbleche, wenn sie nach der Entfernung der Kühlbleche 1 und 2 an der AJ-YBX200G verbleiben.

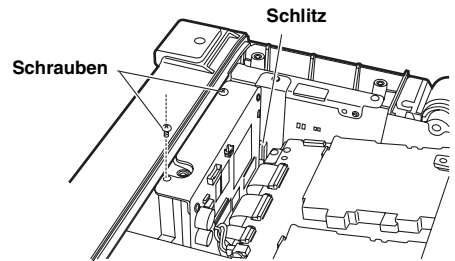


- 4** Stellen Sie sicher, dass der AJ-HPM100/AJ-HPM110 ausgeschaltet ist.

- 5** Entfernen Sie die sieben Schrauben an der AJ-HPM100/AJ-HPM110 um die obere Verkleidung zu entfernen.



- 6** Setzen Sie die AJ-YBX200G in den Anschluss des AJ-HPM100/AJ-HPM110 und entlang den Schlitz von AJ-HPM100/AJ-HPM110 läuft, und sichern Sie mit den zwei 3,0 mm Schrauben.



- 7** Bringen Sie die obere Verkleidung wieder an und schrauben Sie sie fest.

# Einstellungen des AJ-HPM100/AJ-HPM110

Wenn mit dem AJ-HPM100 unter Verwendung des AVC-Intra Codec aufgenommen wird, werden die Einstellungen im Setupmenü vorgenommen.

Siehe zur Konfiguration des Setupmenü die Bedienungsanleitung des Hauptgerätes.

Aufnahmeformat		Einstellungen des Setupmenüs		
		25: SYSTEM FREQ	020: SYS FORMAT	025: REC FMT (HD)
AVC-Intra 100	1080/59,94i	59.94	1080i	AVC100
	720/59,94P		720p	
AVC-Intra 50	1080/59,94i		1080i	AVC50
	720/59,94P		720p	
AVC-Intra 100	1080/50i	50	1080i	AVC100
	720/50P		720p	
AVC-Intra 50	1080/50i		1080i	AVC50
	720/50P		720p	

## <Hinweise>

- Während der Wiedergabe wird das Format automatisch erfasst. Clips mit einer anderen Systemfrequenz können jedoch nicht wiedergegeben werden.
- Siehe die Bedienungsanleitung des Hauptgerätes für Anweisungen zur Konfiguration des Setup der Systemfrequenz bei AJ-HPM110.

## Setupmenü

Wenn dieses Produkt mit dem AJ-HPM100/AJ-HPM110 ausgestattet wird, steht folgendes Setupmenü zur Verfügung.

Element		Einstellung		Einstellungsdetails und Funktionsbeschreibung
FR Nr.	SUPER DISP.	FR Nr.	SUPER DISP.	
025	REC FMT(HD)	0000 0001 0002	DVCPRO AVC50 AVC100	Wählt das Aufnahmeformat wenn das Menü Nr. 020 SYS FORMAT auf 1080i oder 720p gestellt ist. 0: Wählt DVCPRO HD (100 Mbps). 1: Wählt AVC-Intra 50. 2: Wählt AVC-Intra 100.

\_\_\_\_\_ ist der Modus der Werkseinstellungen.

## Fehlermeldung

Wenn dieses Produkt mit dem AJ-HPM100/AJ-HPM110 ausgestattet wird, werden folgende Fehlermeldungen hinzugefügt.

Fehler		Details	Operation
Nummer	Meldung		
E-39	CONFIG ERROR	Wird angezeigt wenn die Baugruppe AVC-I nicht initialisiert werden kann. Weil ein Defekt der Baugruppe möglich ist, konsultieren Sie ihren Händler.	Der AJ-HPM100/AJ-HPM110 arbeitet nicht mehr.

## Bedienungsanleitung

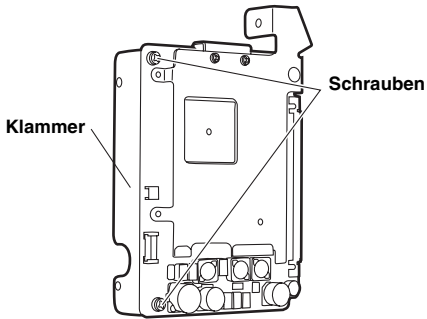
- Die Ein- und Ausgabe über IEEE 1394 kann nicht während der Aufnahme und Wiedergabe der AVC-Intra ausgeführt werden.
- Clips welche mit dem Kamerarecorder mit einer Bildwiederholffrequenz von 23,98P oder 29,97P aufgenommen wurden, sinken bei der Ausgabe auf 1080/59,94i oder 720/59,94P. Wiedergegebene Clips welche mit dem Kamerarecorder mit einer Bildwiederholffrequenz von 25P aufgenommen wurden, sinken bei der Ausgabe auf 1080/50i oder 720/50P. (nur AJ-HPM100)
- Textmemos der Clips können nicht wiedergegeben werden, wie z.B. welche mit einer anderen Systemfrequenz, können nicht als Miniaturansichten angezeigt werden.

# Installation in AJ-HPS1500

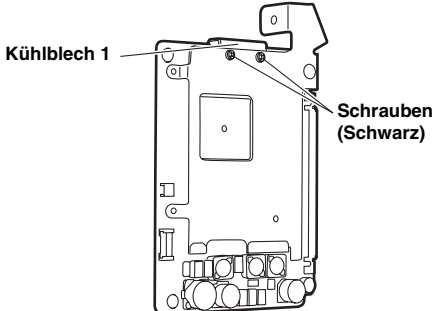
## VORSICHT:

Diese Wartungsanleitung ist nur für qualifiziertes Wartungspersonal vorgesehen. Um die Gefahr von elektrischen Schlägen zu reduzieren, sollten Sie keine anderen Wartungsarbeiten außer den in der Bedienungsanleitung enthaltenen durchführen, wenn Sie nicht dafür qualifiziert sind.

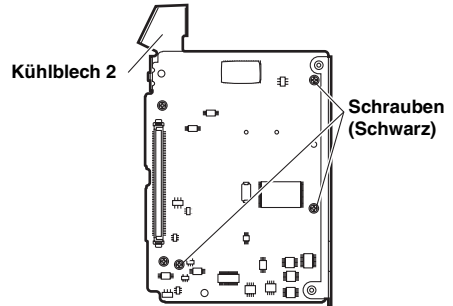
- 1** Entfernen Sie die beiden Schrauben an der AJ-YBX200G um die Klammer zu entfernen.



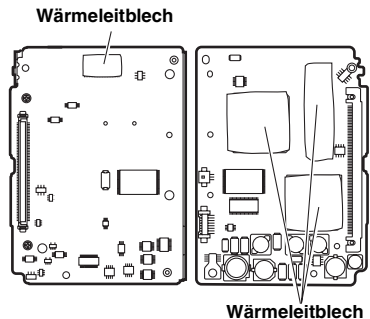
- 2** Entfernen Sie die beiden Schrauben an der AJ-YBX200G um das Kühlblech 1 zu entfernen.



- 3** Entfernen Sie die drei Schrauben und Muttern an der AJ-YBX200G um das Kühlblech 2 zu entfernen.

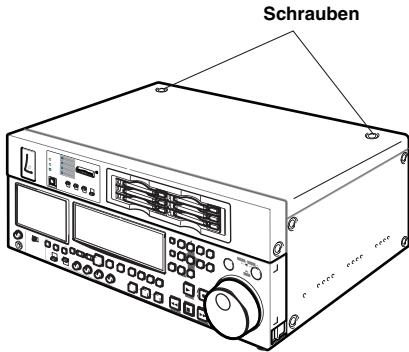


- 4** Entfernen Sie die Wärmeleitbleche, wenn sie nach der Entfernung der Kühlbleche 1 und 2 an der AJ-YBX200G verbleiben.

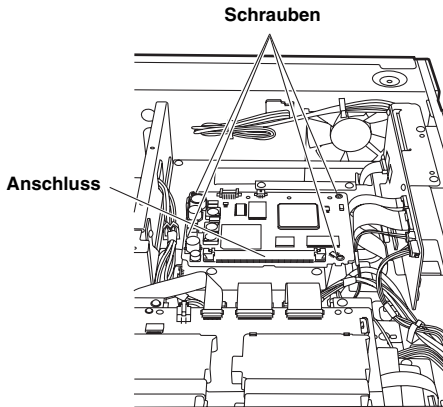


- 5** Stellen Sie sicher, dass der AJ-HPS1500 ausgeschaltet ist.

- 6** Entfernen Sie die beiden Schrauben an der AJ-HPS1500 um die obere Verkleidung zu entfernen.



- 7** Setzen Sie die AJ-YBX200G in den Anschluss des AJ-HPS1500, und sichern Sie mit den vier 2,6 mm Schrauben.



- 8** Bringen Sie die obere Verkleidung wieder an und schrauben Sie sie fest.

# Einstellungen des AJ-HPS1500

Wenn mit dem AJ-HPS1500 unter Verwendung des AVC-Intra Codec aufgenommen wird, werden die Einstellungen im Setupmenü vorgenommen.

Siehe zur Konfiguration des Setupmenü die Bedienungsanleitung des Hauptgerätes.

Aufnahmeformat		Einstellungen des Setupmenüs		
		25: SYSTEM FREQ	020: SYS FORMAT	025: REC FMT (HD)
AVC-Intra 100	1080/59,94i	59.94	1080i	AVC100
	720/59,94P		720p	
AVC-Intra 50	1080/59,94i		1080i	AVC50
	720/59,94P		720p	
AVC-Intra 100	1080/50i	50	1080i	AVC100
	720/50P		720p	
AVC-Intra 50	1080/50i		1080i	AVC50
	720/50P		720p	

## <Hinweise>

- Während der Wiedergabe wird das Format automatisch erfasst. Clips mit einer anderen Systemfrequenz können jedoch nicht wiedergegeben werden.
- Siehe die Bedienungsanleitung des Hauptgerätes für Anweisungen zur Konfiguration des Setup der Systemfrequenz bei AJ-HPS1500.

## Setupmenü

Wenn dieses Produkt mit dem AJ-HPS1500 ausgestattet wird, steht folgendes Setupmenü zur Verfügung.

Element		Einstellung		Einstellungsdetails und Funktionsbeschreibung
FR Nr.	SUPER DISP.	FR Nr.	SUPER DISP.	
025	REC FMT(HD)	0000 0001 0002	DVCPRO AVC50 AVC100	Wählt das Aufnahmeformat wenn das Menü Nr. 020 SYS FORMAT auf 1080i oder 720p gestellt ist. 0: Wählt DVCPRO HD (100 Mbps). 1: Wählt AVC-Intra 50. 2: Wählt AVC-Intra 100.

\_\_\_\_\_ ist der Modus der Werkseinstellungen.

## Fehlermeldung

Wenn dieses Produkt mit dem AJ-HPS1500 ausgestattet wird, werden folgende Fehlermeldungen hinzugefügt.

Fehler		Details	Operation
Nummer	Meldung		
E-39	CONFIG ERROR	Wird angezeigt wenn die Baugruppe AVC-I nicht initialisiert werden kann. Weil ein Defekt der Baugruppe möglich ist, konsultieren Sie ihren Händler.	Der AJ-HPS1500 arbeitet nicht mehr.

## Bedienungsanleitung

- Clips welche mit dem Kamerarecorder mit einer Bildwiederholffrequenz von 23,98P oder 29,97P aufgenommen wurden, sinken bei der Ausgabe auf 1080/59,94i oder 720/59,94P. Werden mit diesem Kamerarecorder aufgenommene Clips mit der Bildwiederholffrequenz 25P wiedergegeben, werden sie zur Ausgabe auf 1080/50i oder 720/50P herabgesetzt.
- Textmemos der Clips können nicht wiedergegeben werden, wie z.B. welche mit einer anderen Systemfrequenz, können nicht als Miniaturansichten angezeigt werden.

# Spezifikationen

---

## AVC-Intra Codec Baugruppe

Außenabmessungen (B × H × T):  
115 mm × 84 mm × 13 mm  
(Ohne Klammer und Kühlbleche)

Weight :  
80 g  
(Ohne Klammer und Kühlbleche)

## VIDEO

Bildaufzeichnungsformate:  
AVC-Intra100, AVC-Intra50

Frequenzbereich:  
Y: 74,1758 MHz (59,94 Hz)  
PB/PR: 37,0879 MHz (59,94 Hz)  
Y: 74,25 MHz (50 Hz)  
PB/PR: 37,175 MHz (50 Hz)

Quantifizierung:  
10 Bits

Komprimierungstechnologie  
H.264/AVC Intra Profil

Bei den Angaben zu Gewicht und Abmessungen handelt es sich um Näherungswerte. Änderungen der technischen Daten bleiben im Sinne der ständigen Productiverbesserung vorbehalten.

**ATTENTION:**

Ces instructions d'entretien sont conçues exclusivement à l'attention d'un personnel d'entretien qualifié. Pour réduire tout risque de feu ou de choc électrique, ne pas effectuer d'autre entretien que celui qui est traité dans ces instructions, à moins d'être qualifié pour.

---

Ce produit est sous licence AVC Patent Portfolio License pour un usage personnel et non commercial par le consommateur de (i) l'encodage vidéo en conformité avec la norme AVC ("AVC Video") et/ou du (ii) décodage d'une vidéo AVC encodée par un consommateur agissant dans le cadre d'une activité personnelle et non commerciale et/ou obtenue par un fournisseur vidéo autorisé à fournir des vidéos AVC. Aucun permis n'est accordé ou sera implicite pour n'importe quel autre usage. Des informations supplémentaires peuvent être obtenues auprès de MPEG LA, LLC. Visiter le site <http://www.mpegla.com>.

En accord avec la directive 2004/108/EC, article 9(2)  
Panasonic Testing Centre  
Panasonic Service Europe, une division de Panasonic Marketing Europe GmbH  
Winsbergring 15, 22525 Hamburg, F.R. Allemagne



## Attention

---

- Ne touchez pas ce produit avec les mains mouillées.
- Ne faites pas tomber ce produit et ne le soumettez pas à des chocs.
- Evitez de toucher les composants du produit et la carte. (Suivez ces précautions pour empêcher tout dommage dû à un choc électrostatique.)

## Généralités

---

L'AJ-YBX200G est une carte codec AVC-Intra pour les caméscopes à carte mémoire AJ-HPX2000/2100, le lecteur/enregistreur portable de carte mémoire AJ-HPM100/AJ-HPM110 et le lecteur de carte mémoire AJ-HPS1500.

Si l'enregistrement et la lecture de l'AVC-Intra ne fonctionnent pas alors que cette carte est correctement installée, il convient de mettre à jour le firmware de l'appareil. Pour des informations mises à jour sur le firmware, visitez le P2 Support Desk sur les sites Web suivants.

Anglais: <http://pro-av.panasonic.net/>

## Caractéristiques

---

La nouvelle carte codec AVC-Intra est prise en charge en installant ce produit. La technologie de compression Intra-Frame est basée sur le format de compression vidéo de dernière génération, le standard H.264, qui permet d'obtenir une qualité d'image élevée, un taux de compression élevé et une grande précision de montage des images HD.

Le codec AVC-Intra de ce produit prend en charge les deux systèmes suivants.

- Qualité d'image élevée prenant en charge l'HD full-bit: AVC-Intra100
- Peut fonctionner à bas débit et à bas coût: AVC-Intra50

## Modèles pris en charge

---

Caméscope à carte mémoire:	AJ-HPX2000/2100
Lecteur/Enregistreur portable de carte mémoire:	AJ-HPM100/AJ-HPM110
Lecteur de carte mémoire:	AJ-HPS1500

## Articles fournis

---

Vis 2,6 mm × 4

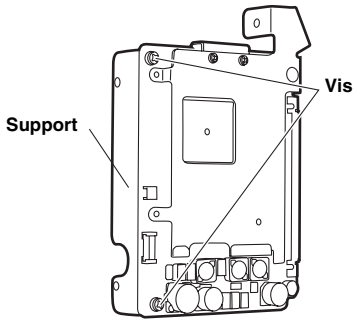
Vis 3,0 mm × 2

# Installation de AJ-HPX2000/2100

## ATTENTION:

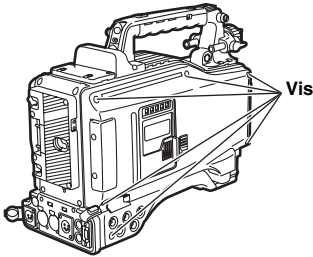
Ces instructions d'entretien sont conçues exclusivement à l'attention d'un personnel d'entretien qualifié. Pour réduire tout risque de feu ou de choc électrique, ne pas effectuer d'autre entretien que celui qui est traité dans ces instructions, à moins d'être qualifié pour.

- 1** Dévissez les deux vis de l'AJ-YBX200G pour enlever le support.

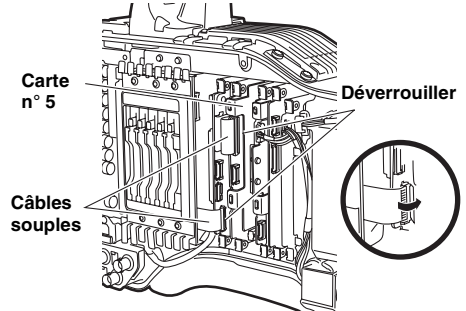


- 2** Assurez-vous que l'AJ-HPX2000/2100 est éteint.

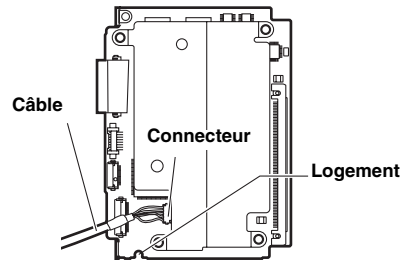
- 3** Dévissez les six vis sur le côté gauche de l'AJ-HPX2000/2100 (côté gauche vu de face) pour enlever le panneau latéral.



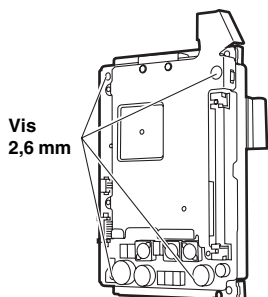
- 4** Débloquez les deux parties pour débrancher les deux câbles souples, puis enlevez la carte n° 5.



- 5** Débranchez le câble de la carte n° 5 enlevée lors de la phase 4. Lors de cette opération, le câble pourrait se débrancher s'il est tiré, par conséquent enlevez-le tout en tenant le connecteur.



- 6** Placez l'AJ-YBX200G dans la prise de la carte à la phase **5** et fixez-le au moyen de quatre vis 2,6 mm.



- 7** Rebranchez le câble enlevé à la phase **5** dans la position d'origine.
- 8** Remettez en place la carte n° 5 dans sa position d'origine. Lors de cette opération, faites en sorte que le câble branché à la phase **7** passe le long du logement de la carte n° 5. (Voir Figure 5) Insérez les câbles souples enlevés à la phase **4** dans leurs positions d'origine.
- 9** Remettez le panneau latéral dans sa position d'origine et fixez-le au moyen des vis. Lors de cette opération, assurez-vous que le câble débranché lors de la phase **5** n'est pas pris dans le logement.

Si les câbles souples ne sont pas bloqués ou que la carte est insérée de façon oblique, le caméscope pourrait présenter des problèmes d'enregistrement.

# Configuration de l'AJ-HPX2000/2100

Lorsque l'on enregistre avec l'AJ-HPX2000/2100 en utilisant le codéc AVC-Intra, les paramètres sont réglés dans l'écran <SYSTEM MODE> de l'option SYSTEM SETTING du menu d'installation.

Pour régler les paramètres, voir le mode d'emploi de l'AJ-HPX2000/2100.

Format d'enregistrement		Paramétrages du menu principal	
		SYSTEM MODE	REC MODE
AVC-Intra 100	1080/59,94i	1080-59.94i	AVC-I 100
	720/59,94P	720-59.94P	
AVC-Intra 50	1080/59,94i	1080-59.94i	AVC-I 50
	720/59,94P	720-59.94P	
AVC-Intra 100	1080/50i	1080-50i	AVC-I 100
	720/50P	720-50P	
AVC-Intra 50	1080/50i	1080-50i	AVC-I 50
	720/50P	720-50P	

## <Remarques>

- Quand vous modifiez des options sous SYSTEM MODE, éteignez l'appareil puis rallumez-le.
- Pendant la lecture, le format est automatiquement identifié. Cependant, les clips ayant un SYSTEM MODE différent ne peuvent pas être lus.

## Configuration menu

Quand ce produit est équipé de l'AJ-HPX2000/2100, le menu de configuration suivant est disponible.

Ecran SYSTEM MODE sous SYSTEM SETTING

Option/Stockage données	Plage disponible	Remarques
REC MODE	Mode HD (1080i): DVCPRO HD AVC-I 50 AVC-I 100 Mode HD (720P): DVCPRO HD DVC HD (N) AVC-I 50 AVC-I 100	Sélectionnez le mode d'enregistrement. <b>DVCPRO HD:</b> Enregistrez au format DVCPRO HD. <b>DVC HD (N):</b> Enregistrez en mode original pour DVCPRO HD. <b>AVC-I 50:</b> Enregistrez au format AVC-I 50. <b>AVC-I 100:</b> Enregistrez au format AVC-I 100.

Ecran DIAGNOSTIC 2 sous MAINTENANCE

Option/Stockage données	Plage disponible	Remarques
AVC-I SOFT		Affichez la version du logiciel de contrôle de la carte AVC-I (option).
AVC-I FPGA		Affichez la version du programme FPGA de la carte AVC-I (option).

## Message d'erreur

Le fait d'équiper ce produit de l'AJ-HPX2000/2100 ajoute l'affichage de code erreur suivant. Quand une erreur se produit pour quelque raison que ce soit, le code d'erreur suivant s'affiche dans la fenêtre d'affichage.

Code N°	Détails
E-39	Défaut d'initialisation sur la carte en option AVC-I

## Mode d'emploi

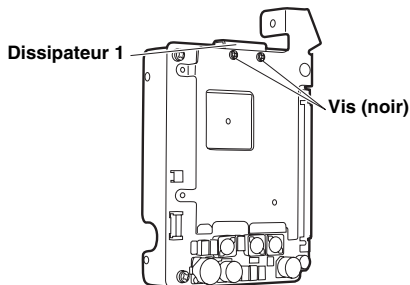
- L'entrée et la sortie avec IEEE 1394 ne peuvent pas être effectuées pendant la lecture et l'enregistrement de l'AVC-Intra.
- Les clips lus à une vitesse de défilement de 23,98P ou 29,97P enregistrés avec le caméscope sont réduits à 1080/59,94i ou 720/59,94P pour la sortie. Les clips lus à une vitesse de défilement de 25P avec le caméscope sont réduits à 1080/50i ou 720/50P pour la sortie.
- Les mémos texte des clips qui ne peuvent pas être lus, tels que ceux ayant un SYSTEM MODE différent, ne peuvent pas être affichés comme vignettes.

# Installation dans l'AJ-HPM100/AJ-HPM110

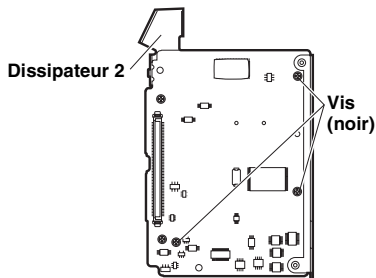
## ATTENTION:

Ces instructions d'entretien sont conçues exclusivement à l'attention d'un personnel d'entretien qualifié. Pour réduire tout risque de feu ou de choc électrique, ne pas effectuer d'autre entretien que celui qui est traité dans ces instructions, à moins d'être qualifié pour.

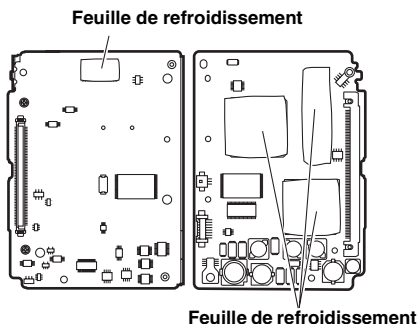
- 1** Dévissez les deux vis de l'AJ-YBX200G pour enlever le dissipateur 1.



- 2** Dévissez les trois vis et écrous de l'AJ-YBX200G pour enlever le dissipateur 2.

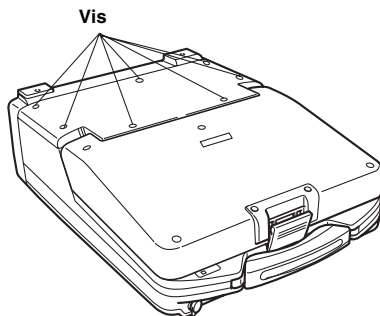


- 3** Enlevez les feuilles de refroidissement si elles restent sur l'AJ-YBX200G après l'enlèvement des dissipateurs 1 et 2.

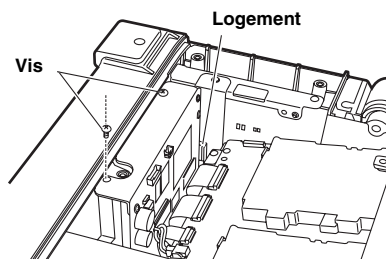


- 4** Assurez-vous que l'AJ-HPM100/AJ-HPM110 est éteint.

- 5** Dévissez les sept vis de l'AJ-HPM100/AJ-HPM110 pour enlever le panneau supérieur.



- 6** Placez l'AJ-YBX200G dans la prise de la carte de l'AJ-HPM100/AJ-HPM110, fonctionnant le longment de la fente d'AJ-HPM100/AJ-HPM110 et fixez-le au moyen de deux vis 3,0 mm.



- 7** Remettez en place le panneau supérieur et vissez-le.

# Paramétrages pour l'AJ-HPM100/AJ-HPM110

Lorsque l'on enregistre avec l'AJ-HPM100 en utilisant le codec AVC-Intra, les paramétrages sont réglés dans le menu d'installation.

Voir le mode d'emploi de l'appareil pour les instructions concernant la configuration du menu d'installation.

Format d'enregistrement		Paramétrages du menu d'installation		
		25: SYSTEM FREQ	020: SYS FORMAT	025: REC FMT (HD)
AVC-Intra 100	1080/59,94i	59,94	1080i	AVC100
	720/59,94P		720p	
AVC-Intra 50	1080/59,94i		1080i	AVC50
	720/59,94P		720p	
AVC-Intra 100	1080/50i	50	1080i	AVC100
	720/50P		720p	
AVC-Intra 50	1080/50i		1080i	AVC50
	720/50P		720p	

## <Remarques>

- Pendant la lecture, le format est automatiquement identifié. Cependant, les clips ayant un système fréquence différent ne peuvent pas être lus.
- Voir le mode d'emploi de l'unité principale pour les instructions concernant la configuration de la fréquence du système pour AJ-HPM110.

## Menu d'installation

Quand ce produit est équipé de l'AJ-HPM100/AJ-HPM110, le menu de configuration suivant est disponible.

Option		Paramétrage		Détails de la configuration et description de la fonction ébauche
FR No.	SUPER DISP.	FR No.	SUPER DISP.	
025	REC FMT(HD)	0000 0001 0002	DVCPRO AVC50 AVC100	Sélectionnez le format d'enregistrement quand le menu n° 020 SYS FORMAT est paramétré sur 1080i ou 720p. 0: Sélectionnez DVCPRO HD (100 Mbps). 1: Sélectionnez AVC-Intra 50. 2: Sélectionnez AVC-Intra 100.

\_\_\_\_\_ est le mode configuré en usine.

## Message d'erreur

Quand ce produit est équipé de l'AJ-HPM100/AJ-HPM110, le message d'erreur suivant est ajouté.

Erreur		Détails	Fonctionnement
Numéro	Message		
E-39	CONFIG ERROR	Affiché quand la carte AVC-I en option ne peut pas être initialisée. Il est possible qu'il s'agisse d'un défaut de la carte en option, contactez le magasin où vous l'avez acheté.	L'AJ-HPM100/AJ-HPM110 cesse de fonctionner.

## Mode d'emploi

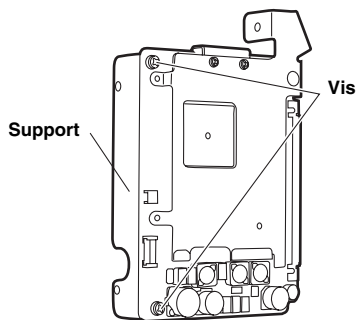
- L'entrée et la sortie avec IEEE 1394 ne peuvent pas être effectuées pendant la lecture et l'enregistrement de l'AVC-Intra.
- Les clips lus à une vitesse de défilement de 23,98P ou 29,97P enregistrés avec le caméscope sont réduits à 1080/59,94i ou 720/59,94P pour la sortie. Les clips lus à une vitesse de défilement de 25P avec le caméscope sont réduits à 1080/50i ou 720/50P pour la sortie. (Uniquement AJ-HPM100)
- Les mémos texte des clips qui ne peuvent pas être lus, tels que ceux ayant une fréquence système différente, ne peuvent pas être affichés comme vignettes.

# Installation dans l'AJ-HPS1500

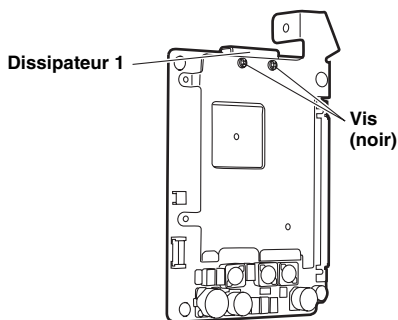
## ATTENTION:

Ces instructions d'entretien sont conçues exclusivement à l'attention d'un personnel d'entretien qualifié. Pour réduire tout risque de feu ou de choc électrique, ne pas effectuer d'autre entretien que celui qui est traité dans ces instructions, à moins d'être qualifié pour.

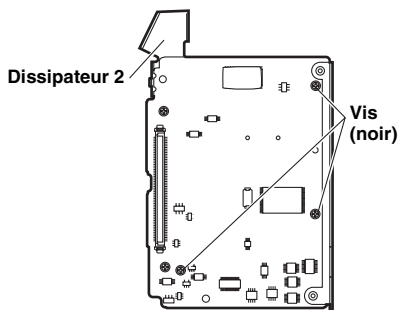
- 1** Dévissez les deux vis de l'AJ-YBX200G pour enlever le support.



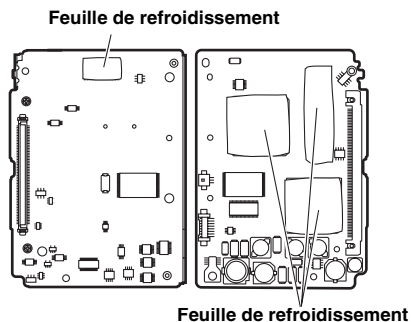
- 2** Dévissez les deux vis de l'AJ-YBX200G pour enlever le dissipateur 1.



- 3** Dévissez les trois vis et écrous de l'AJ-YBX200G pour enlever le dissipateur 2.

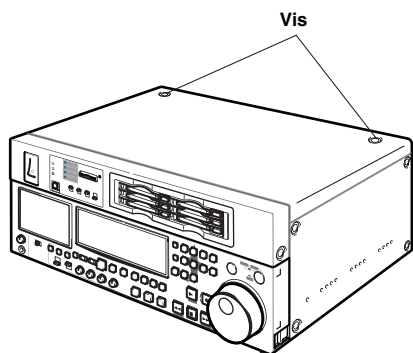


- 4** Enlevez les feuilles de refroidissement si elles restent sur l'AJ-YBX200G après l'enlèvement des dissipateurs 1 et 2.

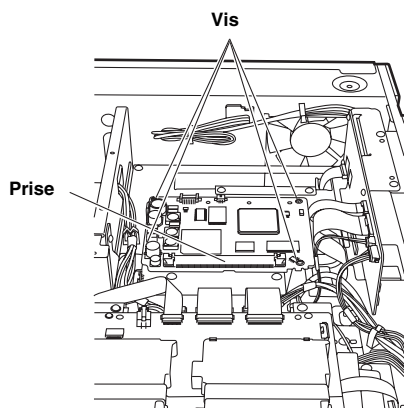


- 5** Assurez-vous que l'AJ-HPS1500 est éteint.

- 6** Dévissez les deux vis de l'AJ-HPS1500 pour enlever le panneau supérieur.



- 7** Placez l'AJ-YBX200G dans la prise de la carte de l'AJ-HPS1500 et fixez-le au moyen de quatre vis 2,6 mm.



- 8** Remettez en place le panneau supérieur et vissez-le.



# Paramétrages pour l'AJ-HPS1500

Lorsque l'on enregistre avec l'AJ-HPS1500 en utilisant le codec AVC-Intra, les paramétrages sont réglés dans le menu d'installation.

Voir le mode d'emploi de l'appareil pour les instructions concernant la configuration du menu d'installation.

Format d'enregistrement		Paramétrages du menu d'installation		
		25: SYSTEM FREQ	020: SYS FORMAT	025: REC FMT (HD)
AVC-Intra 100	1080/59,94i	59,94	1080i	AVC100
	720/59,94P		720p	
AVC-Intra 50	1080/59,94i		1080i	AVC50
	720/59,94P		720p	
AVC-Intra 100	1080/50i	50	1080i	AVC100
	720/50P		720p	
AVC-Intra 50	1080/50i		1080i	AVC50
	720/50P		720p	

## <Remarques>

- Pendant la lecture, le format est automatiquement identifié. Cependant, les clips ayant un système fréquence différent ne peuvent pas être lus.
- Voir le mode d'emploi de l'unité principale pour les instructions concernant la configuration de la fréquence du système pour AJ-HPS1500.

## Menu d'installation

Quand ce produit est équipé de l'AJ-HPS1500, le menu de configuration suivant est disponible.

Option		Paramétrage		Détails de la configuration et description de la fonction ébauche
FR No.	SUPER DISP.	FR No.	SUPER DISP.	
025	REC FMT(HD)	0000 0001 0002	DVCPRO AVC50 AVC100	Sélectionnez le format d'enregistrement quand le menu n° 020 SYS FORMAT est paramétré sur 1080i ou 720p. 0: Sélectionnez DVCPRO HD (100 Mbps). 1: Sélectionnez AVC-Intra 50. 2: Sélectionnez AVC-Intra 100.

\_\_\_\_\_ est le mode configuré en usine.

## Message d'erreur

Quand ce produit est équipé de l'AJ-HPS1500, le message d'erreur suivant est ajouté.

Erreur		Détails	Fonctionnement
Numéro	Message		
E-39	CONFIG ERROR	Affiché quand la carte AVC-I en option ne peut pas être initialisée. Il est possible qu'il s'agisse d'un défaut de la carte en option, contactez le magasin où vous l'avez acheté.	L'AJ-HPS1500 cesse de fonctionner.

## Mode d'emploi

- Les clips lus à une vitesse de défilement de 23,98P ou 29,97P enregistrés avec le caméscope sont réduits à 1080/59,94i ou 720/59,94P pour la sortie. Les clips lus à une vitesse de défilement de 25P enregistrés avec le caméscope sont réduits à 1080/50i ou 720/50P pour la sortie.
- Les mémos texte des clips qui ne peuvent pas être lus, tels que ceux ayant une fréquence système différente, ne peuvent pas être affichés comme vignettes.

# Spécifications

---

## Carte Codec AVC-Intra

Dimensions externes (W × H × D):

115 mm × 84 mm × 13 mm

(4-9/16 pouces × 3-5/16 pouces ×

12-1/2 pouces)

(excluant le support et le  
dissipateurs)

Poids :

80 g (0,18 lb)

(excluant le support et le  
dissipateurs)

## Vidéo

Formats d'enregistrement d'images :

AVC-Intra100, AVC-Intra50

Plage de fréquence :

Y: 74,1758 MHz (59,94 Hz)

P<sub>B</sub>/P<sub>R</sub>: 37,0879 MHz (59,94 Hz)

Y: 74,25 MHz (50 Hz)

P<sub>B</sub>/P<sub>R</sub>: 37,175 MHz (50 Hz)

Quantification:

10 bits

Technologie de compression :

Profil H.264/AVC intra

Le poids et les dimensions sont approximatifs.  
Les données techniques sont sujettes à des  
modifications sans avertissement préalable.

**ATTENZIONE:**

Queste istruzioni di servizio sono soltanto per il personale di servizio qualificato. Per ridurre il pericolo di scosse elettriche, non eseguire alcun intervento diverso da quelli descritti nelle istruzioni per l'uso, a meno di essere qualificati per farlo.

---

Questo prodotto è concesso in licenza ai sensi della licenza per portafoglio di brevetti AVC, per uso personale e non commerciale da parte di un consumatore ai fini della (i) codifica di video in conformità allo standard AVC ("Video AVC") e/o della (ii) decodifica di video AVC codificati da un consumatore impegnato in un'attività personale e non commerciale e/o ottenuti da un fornitore di video autorizzato a fornire video AVC. Non viene fornita nessuna licenza esplicita o implicita per qualsiasi altro uso. Per ulteriori informazioni è possibile contattare MPEG LA, LLC. Vedere <http://www.mpegla.com>.

In conformità con la direttiva 2004/108/CE, articolo 9(2)  
Panasonic Testing Centre  
Panasonic Service Europe, un reparto di Panasonic Marketing Europe GmbH  
Winsbergring 15, 22525 Hamburg, F.R. Germania

## Attenzione

---

- Non toccare questo prodotto con le mani umide.
- Non far cadere il prodotto né sottoporlo a forti urti.
- Evitare di toccare i componenti e lo schema della scheda del prodotto. (Seguire queste precauzioni per proteggersi da danni derivanti da choc elettrostatico.)

## Panoramica

---

L'unità AJ-YBX200G è una scheda codec AVC-Intra progettata per i camcorder a scheda di memoria AJ-HPX 2100, per il registratore/lettore portatile per memory card AJ-HPM100/AJ-HPM110 e per il registratore a scheda di memoria AJ-HPS1500.

Se durante la registrazione e riproduzione l'unità AVC-Intra non funziona, benché la scheda sia correttamente installata, è possibile che sia necessario aggiornare il firmware dell'unità centrale. Per prendere visione delle informazioni più aggiornate sul firmware, visitare P2 Support Desk nei seguenti siti Web.

Inglese: <http://pro-av.panasonic.net/>

## Caratteristiche

---

L'installazione di questo prodotto consente di supportare il nuovo codec AVC-Intra. Con l'impiego della tecnologia di compressione Intra-Frame basata sul più recente formato di compressione per immagini in movimento, cioè lo standard H.264, è stato possibile ottenere un'alta qualità delle immagini, un elevato rapporto di compressione ed estrema accuratezza nell'editing di immagini HD.

Il codec AVC-Intra di questo prodotto supporta i due seguenti sistemi.

- Elevata qualità dell'immagine con supporto HD full-bit: AVC-Intra100
- Utilizzabile con bassa velocità e basso costo: AVC-Intra50

## Modelli supportati

---

Camcorder a scheda di memoria:	AJ-HPX2100
Registratore/lettore portatile per memory card:	AJ-HPM100/AJ-HPM110
Registratore a scheda di memoria:	AJ-HPS1500

## Articoli compresi nel pacchetto

---

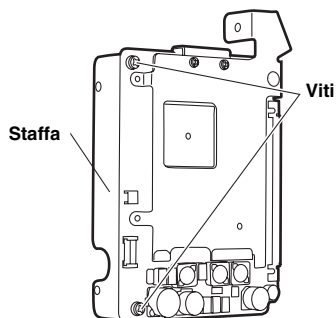
4 viti da 2,6 mm  
2 viti da 3,0 mm

# Installazione in AJ-HPX2100

## ATTENZIONE:

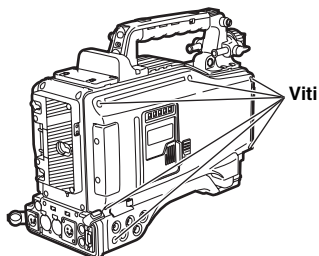
Queste istruzioni di servizio sono soltanto per il personale di servizio qualificato. Per ridurre il pericolo di scosse elettriche, non eseguire alcun intervento diverso da quelli descritti nelle istruzioni per l'uso, a meno di essere qualificati per farlo.

- 1** Svitare le due viti dall'unità AJ-YBX200G per rimuovere la staffa.

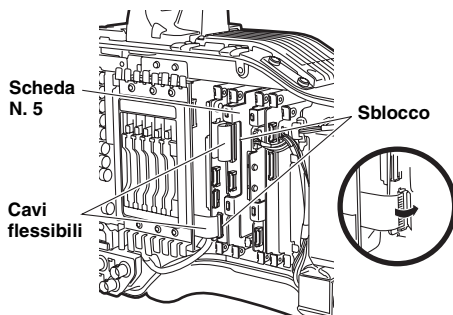


- 2** Accertarsi che l'unità AJ-HPX2100 non sia alimentata.

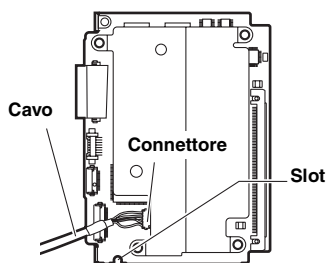
- 3** Svitare le sei viti sul parte di sinistra dell'unità AJ-HPX2100 (sul parte di sinistra se si osserva l'unità da davanti) per rimuovere il pannello laterale.



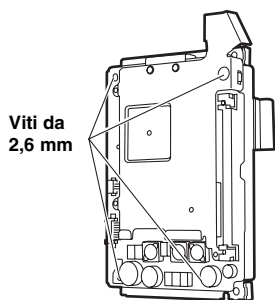
- 4** Sbloccare le due parti per scollegare i due cavi flessibili e rimuovere quindi la scheda N. 5.



- 5** Scollegare il cavo dalla scheda N. 5 rimossa al punto 4. Durante questa operazione il cavo, se tirato, potrebbe scollegarsi, rimuoverlo quindi tenendo nel contempo il connettore.



- 6** Posizionare l'unità AJ-YBX200G nel terminale della scheda al punto **5** e fissarla tramite le quattro viti da 2,6 mm.



- 7** Ricollegare il cavo rimosso al punto **5** come era in origine.
- 8** Reinserire la scheda N. 5 nella posizione originale. Durante questa operazione, consentire che il cavo collegato al punto **7** possa scorrere lungo lo slot della scheda N. 5. (Vedere figura **5** ) Inserire i cavi flessibili rimossi al punto **4** nelle posizioni originali.
- 9** Rimettere il pannello laterale nella posizione originale e fissarlo utilizzando le viti. Durante questa operazione, verificare che il cavo scollegato al punto **5** non rimanga incastrato nello slot.

Se i cavi flessibili non sono bloccati o la scheda è inserita in posizione storta, il camcorder potrebbe avere problemi di registrazione.

# Impostazione dell'unità AJ-HPX2100

Quando si registra con l'unità AJ-HPX2100 utilizzando il codec AVC-Intra, è possibile configurare le necessarie impostazioni dalla schermata <SYSTEM MODE> in SYSTEM SETTING del menu di configurazione.

Per configurare le impostazioni, vedere il manuale d'uso dell'unità AJ-HPX2100.

Formato di registrazione		Impostazioni per il menu principale	
		SYSTEM MODE	REC MODE
AVC-Intra 100	1080/59,94i	1080-59.94i	AVC-I 100
	720/59,94P	720-59.94P	
AVC-Intra 50	1080/59,94i	1080-59.94i	AVC-I 50
	720/59,94P	720/59.94P	
AVC-Intra 100	1080/50i	1080-50i	AVC-I 100
	720/50P	720-50P	
AVC-Intra 50	1080/50i	1080-50i	AVC-I 50
	720/50P	720-50P	

## <Note>

- Quando si passa da un elemento a un altro in SYSTEM MODE, interrompere e quindi riattivare l'alimentazione all'unità centrale.
- Durante la riproduzione, il formato viene identificato automaticamente. Non è tuttavia possibile riprodurre clip con un diverso SYSTEM MODE.

## Menu delle impostazioni

Se questo prodotto è equipaggiato con l'unità AJ-HPX2100, diventa disponibile il seguente menu di configurazione.

Schermata SYSTEM MODE in SYSTEM SETTING

Opzione/Memorizzazione dati	Intervallo variabile	Commenti
REC MODE	Modalità HD (1080i): DVCPRO HD AVC-I 50 AVC-I 100 Modalità HD (720P): DVCPRO HD DVC HD (N) AVC-I 50 AVC-I 100	Selezionare la modalità di registrazione. <b>DVCPRO HD:</b> Registrare in formato DVCPRO HD. <b>DVC HD (N):</b> Registrare in modalità nativa di DVCPRO HD. <b>AVC-I 50:</b> Registrare in formato AVC-I 50. <b>AVC-I 100:</b> Registrare in formato AVC-I 100.

Schermata DIAGNOSTIC 2 in MAINTENANCE

Opzione/Memorizzazione dati	Intervallo variabile	Commenti
AVC-I SOFT		Visualizza la versione del software di controllo della scheda AVC-I (opzionale).
AVC-I FPGA		Visualizza la versione del programma FPGA della scheda AVC-I (opzionale).

## Messaggio di errore

Equipaggiando questo prodotto con l'unità AJ-HPX2100 viene aggiunta la seguente visualizzazione di codice di errore.

Quando per qualunque ragione si verifica un errore, nella finestra di visualizzazione appare il seguente codice di errore.

N. codice	Dettagli
E-39	Difetto di inizializzazione sulla scheda opzionale AVC-I

## Istruzioni per l'uso

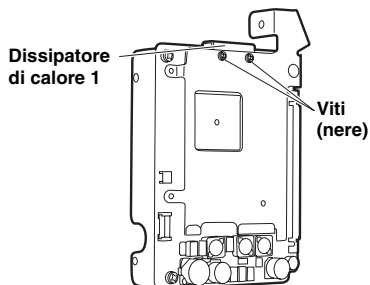
- Durante la riproduzione e registrazione con AVC-Intra non è possibile eseguire operazioni di ingresso e uscita tramite IEEE 1394.
- I clip riprodotti con velocità di quadro di 23,98P o 29,97P registrati con il camcorder sono ridotti a una velocità di uscita di 1080/59,94i o 720/59,94P. I clip riprodotti con velocità di quadro di 25P registrati con il camcorder sono ridotti a una velocità di uscita di 1080/50i o 720/50P.
- I promemoria testuali di clip che non si possono riprodurre, come quelli con un diverso SYSTEM MODE, non possono essere visualizzati come icone miniaturizzate.

# Installazione nell'unità AJ-HPM100/AJ-HPM110

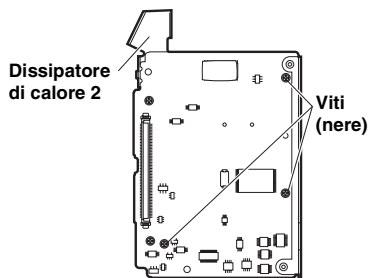
## ATTENZIONE:

Queste istruzioni di servizio sono soltanto per il personale di servizio qualificato. Per ridurre il pericolo di scosse elettriche, non eseguire alcun intervento diverso da quelli descritti nelle istruzioni per l'uso, a meno di essere qualificati per farlo.

- 1** Svitare le due viti dall'unità AJ-YBX200G per rimuovere il dissipatore di calore 1.

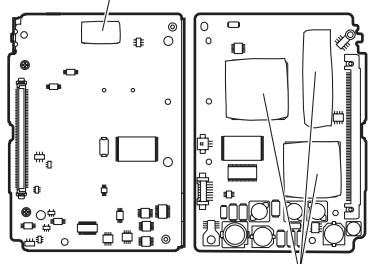


- 2** Svitare le tre viti e dadi dall'unità AJ-YBX200G per rimuovere il dissipatore di calore 2.



- 3** Rimuovere gli elementi di raffreddamento se questi rimangono nell'unità AJ-YBX200G dopo aver rimosso i dissipatori di calore 1 e 2.

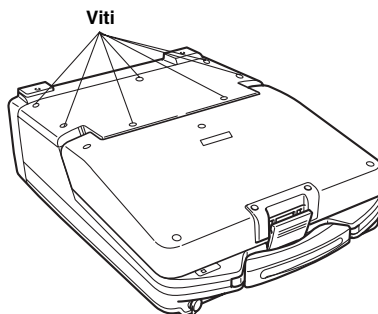
Elemento di raffreddamento



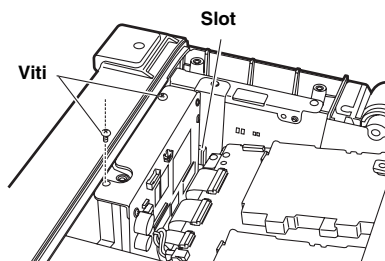
Elemento di raffreddamento

- 4** Verificare che l'unità AJ-HPM100/AJ-HPM110 non sia alimentata.

- 5** Svitare le sette viti dall'unità AJ-HPM100/AJ-HPM110 per rimuovere il pannello superiore.



- 6** Posizionare l'unità AJ-YBX200G nel terminale dell'unità AJ-HPM100/AJ-HPM110, funzionante lungo la slot di AJ-HPM100/AJ-HPM110 e fissarla tramite le due viti da 3,0 mm.



- 7** Riposizionare il pannello superiore e avvitarlo.



# Impostazioni per l'unità AJ-HPM100/AJ-HPM110

Quando si registra con l'unità AJ-HPM100 utilizzando il codec AVC-Intra, le impostazioni vengono regolate dal menu di configurazione.

Vedere il manuale d'uso dell'unità centrale per istruzioni su come configurare il menu di configurazione.

Formato di registrazione		Impostazioni del menu di configurazione		
		25: SYSTEM FREQ	020: SYS FORMAT	025: REC FMT (HD)
AVC-Intra 100	1080/59,94i	59.94	1080i	AVC100
	720/59,94P		720p	
AVC-Intra 50	1080/59,94i		1080i	AVC50
	720/59,94P		720p	
AVC-Intra 100	1080/50i	50	1080i	AVC100
	720/50P		720p	
AVC-Intra 50	1080/50i		1080i	AVC50
	720/50P		720p	

## <Note>

- Durante la riproduzione, il formato viene identificato automaticamente. Non è tuttavia possibile riprodurre clip con una diversa frequenza di sistema.
- Vedere il manuale d'uso dell'unità centrale per istruzioni su come configurare la frequenza di sistema per l'unità AJ-HPM110.

## Menu di configurazione

Se questo prodotto è equipaggiato con l'unità AJ-HPM100/AJ-HPM110, diventa disponibile il seguente menu di configurazione.

Opzione		Impostazione		Impostazione di dettagli e descrizione della funzione generale
FR No.	SUPER DISP.	FR No.	SUPER DISP.	
025	REC FMT(HD)	0000 0001 0002	DVCPRO AVC50 AVC100	Seleziona il formato di registrazione quando il menu N. 020 SYS FORMAT è impostato su 1080i o 720p 0: Seleziona DVCPRO HD (100 Mbps). 1: Seleziona AVC-Intra 50. 2: Seleziona AVC-Intra 100.

\_\_\_\_\_ è la modalità di impostazione di fabbrica.

## Messaggio di errore

Se questo prodotto è equipaggiato con l'unità AJ-HPM100/AJ-HPM110, viene aggiunto il seguente messaggio di errore.

Errore		Dettagli	Operazione
Numero	Messaggio		
E-39	CONFIG ERROR	Visualizzato quando non è possibile inizializzare la scheda opzionale AVC-I. Il guasto della scheda opzionale è un'eventualità che può verificarsi, si consiglia pertanto di contattare il negozio presso il quale è stata acquistata.	L'unità AJ-HPM100/AJ-HPM110 smette di funzionare.

## Istruzioni per l'uso

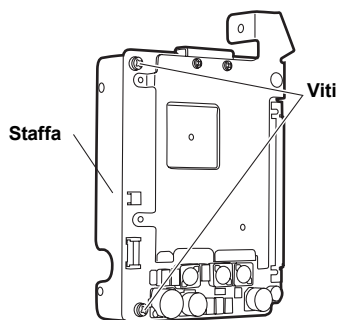
- Durante la riproduzione e registrazione con AVC-Intra non è possibile eseguire operazioni di ingresso e uscita tramite IEEE 1394.
- I clip riprodotti con velocità di quadro di 23,98P o 29,97P registrati con il camcorder sono ridotti a una velocità di uscita di 1080/59,94i o 720/59,94P. I clip riprodotti con velocità di quadro di 25P registrati con il camcorder sono ridotti a una velocità di uscita di 1080/50i o 720/50P. (solo AJ-HPM100)
- I promemoria testuali di clip che non si possono riprodurre, come quelli con una diversa frequenza di sistema, non possono essere visualizzati come icone miniaturizzate.

# Installazione nell'unità AJ-HPS1500

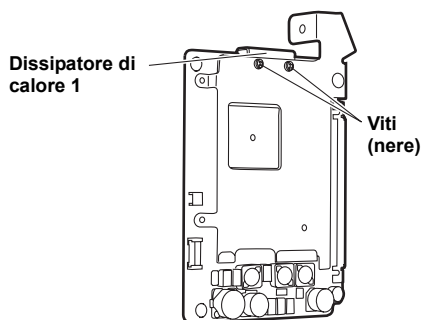
## ATTENZIONE:

Queste istruzioni di servizio sono soltanto per il personale di servizio qualificato. Per ridurre il pericolo di scosse elettriche, non eseguire alcun intervento diverso da quelli descritti nelle istruzioni per l'uso, a meno di essere qualificati per farlo.

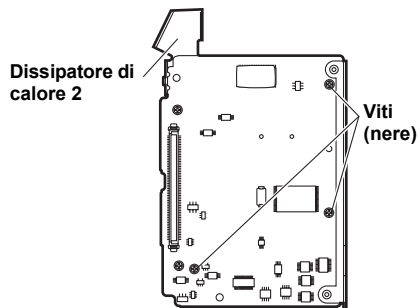
- 1** Svitare le due viti dall'unità AJ-YBX200G per rimuovere la staffa.



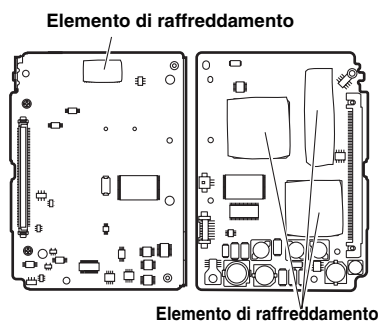
- 2** Svitare le due viti dall'unità AJ-YBX200G per rimuovere il dissipatore di calore 1.



- 3** Svitare le tre viti e dadi dall'unità AJ-YBX200G per rimuovere il dissipatore di calore 2.

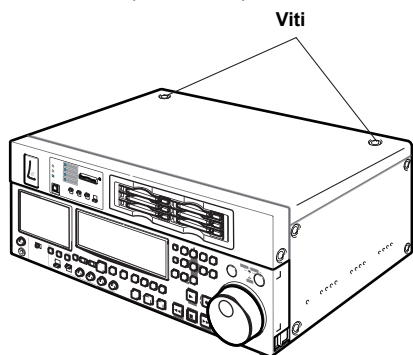


- 4** Rimuovere gli elementi di raffreddamento se questi rimangono nell'unità AJ-YBX200G dopo aver rimosso i dissipatori di calore 1 e 2.

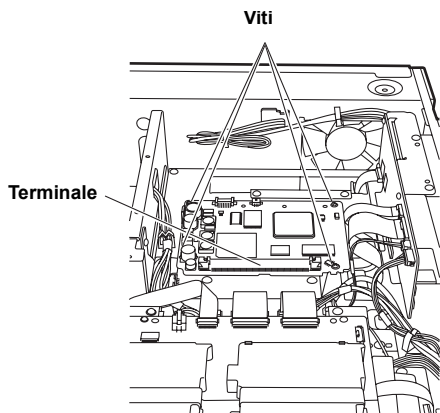


- 5** Verificare che l'unità AJ-HPS1500 non sia alimentata.

- 6** Svitare le due viti dall'unità AJ-HPS1500 per rimuovere il pannello superiore.



- 7** Posizionare l'unità AJ-YBX200G nel terminale dell'unità AJ-HPS1500 e fissarla tramite le quattro viti da 2,6 mm.



- 8** Riposizionare il pannello superiore e avvitarlo.

# Impostazioni per l'unità AJ-HPS1500

Quando si registra con l'unità AJ-HPS1500 utilizzando il codec AVC-Intra, le impostazioni vengono regolate dal menu di configurazione.

Vedere il manuale d'uso dell'unità centrale per istruzioni su come configurare il menu di configurazione.

Formato di registrazione		Impostazioni del menu di configurazione		
		25: SYSTEM FREQ	020: SYS FORMAT	025: REC FMT (HD)
AVC-Intra 100	1080/59,94i	59.94	1080i	AVC100
	720/59,94P		720p	
AVC-Intra 50	1080/59,94i		1080i	AVC50
	720/59,94P		720p	
AVC-Intra 100	1080/50i	50	1080i	AVC100
	720/50P		720p	
AVC-Intra 50	1080/50i		1080i	AVC50
	720/50P		720p	

## <Note>

- Durante la riproduzione, il formato viene identificato automaticamente. Non è tuttavia possibile riprodurre clip con una diversa frequenza di sistema.
- Vedere il manuale d'uso dell'unità centrale per istruzioni su come configurare la frequenza di sistema per l'unità AJ-HPS1500.

## Menu di configurazione

Se questo prodotto è equipaggiato con l'unità AJ-HPS1500, diventa disponibile il seguente menu di configurazione.

Opzione		Impostazione		Impostazione di dettagli e descrizione della funzione generale
FR No.	SUPER DISP.	FR No.	SUPER DISP.	
025	REC FMT(HD)	0000 0001 0002	DVCPRO AVC50 AVC100	Seleziona il formato di registrazione quando il menu N. 020 SYS FORMAT è impostato su 1080i o 720p. 0: Seleziona DVCPRO HD (100 Mbps). 1: Seleziona AVC-Intra 50. 2: Seleziona AVC-Intra 100.

\_\_\_\_\_ è la modalità di impostazione di fabbrica.

## Messaggio di errore

Se questo prodotto è equipaggiato con l'unità AJ-HPS1500, viene aggiunto il seguente messaggio di errore.

Errore		Dettagli	Operazione
Numero	Messaggio		
E-39	CONFIG ERROR	Visualizzato quando non è possibile inizializzare la scheda opzionale AVC-I. Il guasto della scheda opzionale è un'eventualità che può verificarsi, si consiglia pertanto di contattare il negozio presso il quale è stata acquistata.	L'unità AJ-HPS1500 smette di funzionare.

## Istruzioni per l'uso

- I clip riprodotti con velocità di quadro di 23,98P o 29,97P registrati con il camcorder sono ridotti a una velocità di uscita di 1080/59,94i o 720/59,94P. I clip riprodotti con velocità di quadro di 25P registrati con il camcorder sono ridotti a una velocità di uscita di 1080/50i o 720/50P.
- I promemoria testuali di clip che non si possono riprodurre, come quelli con una diversa frequenza di sistema, non possono essere visualizzati come icone miniaturizzate.

# Specifiche tecniche

---

## Scheda Codec AVC-Intra

Dimensioni esterne (W × H × D):  
115 mm × 84 mm × 13 mm  
(esclusa la staffa e il dissipatori di calore)

Peso: 80 g  
(esclusa la staffa e il dissipatori di calore)

## Video

Formati di registrazione immagini:  
AVC-Intra100, AVC-Intra50

Gamma di frequenza:  
Y: 74,1758 MHz (59,94 Hz)  
PB/PR: 37,0879 MHz (59,94 Hz)  
Y: 74,25 MHz (50 Hz)  
PB/PR: 37,175 MHz (50 Hz)

Digitalizzazione:  
10 bit

Formato di compressione :  
Profilo H.264/AVC Intra

Il peso e le dimensioni sono approssimativi.  
Dati tecnici soggetti a modifiche senza avviso.

**PRECAUCIÓN:**

Estas instrucciones de servicio han sido preparadas para que las utilice solamente el personal de servicio cualificado. Para reducir el riesgo de producir un incendio o sufrir una descarga eléctrica, no haga ningún trabajo de servicio que no esté explicado en las instrucciones de funcionamiento, a menos que usted esté cualificado para hacerlo.

---

Este producto está autorizado, bajo la licencia de cartera de patente AVC, para el uso personal y no comercial del usuario para (i) codificar conforme al Estándar AVC ("AVC Video") y/o (ii) decodificar el Vídeo AVC que fue codificado por un usuario ocupado en una actividad personal y no comercial y/o fue obtenido por un proveedor de vídeo autorizado para suministrar Vídeo AVC. No se otorga ninguna licencia ni está implicada para cualquier otro uso diferente. Una información adicional puede obtenerse por MPEG LA, LLC. Véase <http://www.mpegla.com>.

Conforme a la directiva 2004/108/EC, artículo 9(2)  
Panasonic Testing Centre  
Panasonic Service Europe, una división de Panasonic Marketing Europe GmbH  
Winsbergring 15, 22525 Hamburg, F.R. Alemania

## Precaución

---

- No toque este producto con las manos húmedas.
- No lo deje caer ni lo exponga a golpes fuertes.
- Evite tocar los componentes de este producto o los circuitos de la placa. (Siga estas precauciones como protección contra daños por descarga electrostática.)

## Vista general

---

La AJ-YBX200G es una placa de códecs de AVC-Intra para cámaras de vídeo con tarjeta de memoria AJ-HPX 2100, reproductor y grabador portátil de tarjetas de memoria AJ-HPM100/AJ-HPM110 y reproductor de tarjetas de memoria AJ-HPS1500.

Cuando no funciona la grabación ni la reproducción con la AVC-Intra, incluso si la placa está bien instalada, el firmware puede necesitar una actualización para el soporte principal. Para obtener la información más reciente del firmware, visite P2 Support Desk en los sitios Web siguientes:

Inglés: <http://pro-av.panasonic.net/>

## Características

---

Al instalar este producto se consigue la compatibilidad con el nuevo códec AVC-Intra. La tecnología de compresión Intra-frame se basa en lo último en formato de compresión de imágenes en movimiento, el estándar H.264, con el que se consigue una alta calidad de imagen, alta tasa de compresión y alta precisión de edición de imágenes HD.

EL códec AVC-Intra de este producto es compatible con estos dos sistemas.

- Imagen de alta calidad compatible con HD full-bit: AVC-Intra100
- Funcionamiento con baja cadencia y bajo coste: AVC-Intra50

## Modelos soportados

---

Video cámara con tarjeta de memoria:	AJ-HPX2100
Reproductor y grabador portátil de tarjetas de memoria:	AJ-HPM100/AJ-HPM110
Reproductor de tarjetas de memoria:	AJ-HPS1500

## Componentes del paquete

---

4 tornillos 2,6

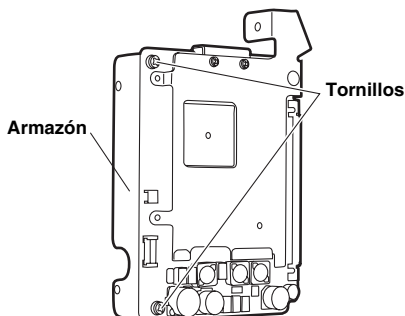
2 tornillos 3,0

# Instalación en AJ-HPX2100

## PRECAUCIÓN:

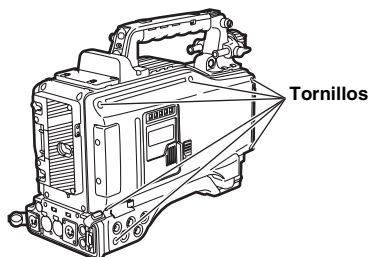
Estas instrucciones de servicio han sido preparadas para que las utilice solamente el personal de servicio cualificado. Para reducir el riesgo de producir un incendio o sufrir una descarga eléctrica, no haga ningún trabajo de servicio que no esté explicado en las instrucciones de funcionamiento, a menos que usted esté cualificado para hacerlo.

- 1** Desenrosque los dos tornillos de la AJ-YBX200G para extraer el armazón.

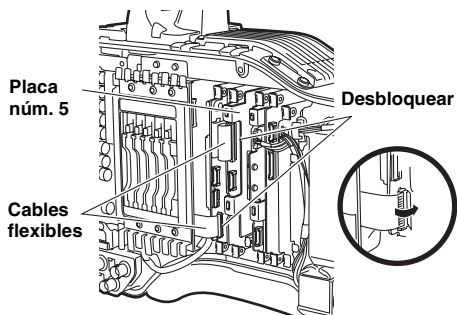


- 2** Asegúrese de que la AJ-HPX2100 esté apagada.

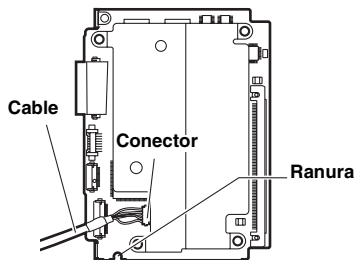
- 3** Desenrosque los seis tornillos del costado izquierdo de la AJ-HPX2100 (mirando izquierda la parte frontal) para extraer el panel lateral.



- 4** Desbloquee las dos partes para desconectar los dos cables flexibles y extraiga la placa núm. 5.

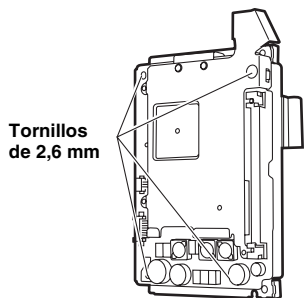


- 5** Desconecte el cable de la placa núm. 5 extraída en el paso 4. En esta operación, el cable podría desconectarse si se tira de él, de modo que extráigalo sujetando el conector.





- 6** Coloque la AJ-YBX200G en el terminal de la placa del paso **5** y fijela con los cuatro tornillos de 2,6 mm.



- 7** Vuelva a conectar el cable extraído en el paso **5** donde estaba.
- 8** Vuelva a insertar la placa núm. 5 en su posición original. En esta operación, haga pasar el cable conectado en el paso **7** por la ranura de la placa núm. 5. (Ver Figura **5**) Inserte los cables flexibles extraídos en el paso **4** en sus posiciones originales.
- 9** Vuelva a poner el panel lateral en su posición original y asegúrelo con los tornillos. En esta operación, asegúrese de que el cable desconectado en el paso **5** no quede cogido en la ranura.

Si los cables flexibles no están bloqueados o la placa es insertada con una inclinación, es posible que experimente problemas al grabar con la videocámara.

# Configurando la AJ-HPX2100

Al grabar con la AJ-HPX2100 utilizando el códec AVC-Intra, la configuración se realiza en la pantalla <SYSTEM MODE> dentro de SYSTEM SETTING en el menú de configuración.

Para realizar los ajustes consulte el manual de instrucciones de la AJ-HPX2100.

Formato de grabación		Ajustes del menú principal	
		SYSTEM MODE	REC MODE
AVC-Intra 100	1080/59,94i	1080-59.94i	AVC-I 100
	720/59,94P	720-59.94P	
AVC-Intra 50	1080/59,94i	1080-59.94i	AVC-I 50
	720/59,94P	720-59.94P	
AVC-Intra 100	1080/50i	1080-50i	AVC-I 100
	720/50P	720-50P	
AVC-Intra 50	1080/50i	1080-50i	AVC-I 50
	720/50P	720-50P	

## <Notas>

- Al conectar objetos en SYSTEM MODE, apague el soporte principal y vuelva a ponerlo en marcha.
- Durante la reproducción, el formato es identificado automáticamente. Sin embargo, los clips con un SYSTEM MODE distinto no se pueden reproducir.

## Menú de configuración

Al equipar este producto con la AJ-HPX2100, aparece disponible el siguiente menú.

Pantalla SYSTEM MODE en SYSTEM SETTING

Objeto/Almacenamiento de datos	Alcance variable	Observaciones
REC MODE	Modo HD (1080i): DVCPRO HD AVC-I 50 AVC-I 100 Modo HD (720P): DVCPRO HD DVC HD (N) AVC-I 50 AVC-I 100	Seleccione el modo de grabación. <b>DVCPRO HD:</b> Grabe en formato DVCPRO HD. <b>DVC HD (N):</b> Grabe en el modo Nativo de DVCPRO HD. <b>AVC-I 50:</b> Grabe en formato AVC-I 50. <b>AVC-I 100:</b> Grabe en formato AVC-I 100.

Pantalla DIAGNOSTIC 2 en MAINTENANCE

Objeto/Almacenamiento de datos	Alcance variable	Observaciones
AVC-I SOFT		Visualiza la versión de software de control de la placa AVC-1 (opcional).
AVC-I FPGA		Visualiza la versión de programa FPGA de la placa AVC-1 (opcional).

## Mensaje de error

Al equipar este producto con la AJ-HPX2100 se añade la siguiente indicación de código de error. Cuando tiene lugar un error, el siguiente código de error se visualiza en la ventana.

Núm de código	Detalles
E-39	Defecto de inicialización en la placa opcional AVC-I

## Instrucciones de uso

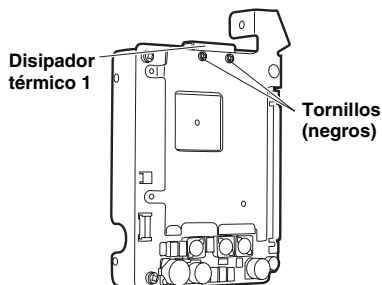
- La entrada y salida con IEEE 1394 no puede realizarse durante la reproducción o la grabación de la AVC-Intra.
- Los clips reproducidos a una cadencia de cuadros de 23,98P o 29,97P grabados con la cámara, son convertidos hasta 1080/59,94i o 720/59,94P para la salida. Los clips reproducidos a una cadencia de cuadros de 25P con la cámara son convertidos hasta 1080/50i o 720/50P para la salida.
- Las notas de texto de clips que no se pueden reproducir, como los que tienen un SYSTEM MODE diferente, no se pueden visualizar como miniaturas.

# Instalación dentro de la AJ-HPM100/AJ-HPM110

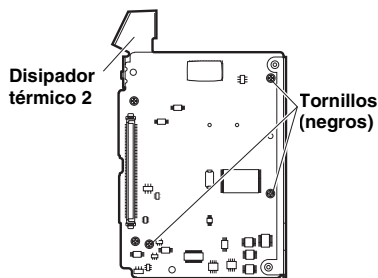
## PRECAUCIÓN:

Estas instrucciones de servicio han sido preparadas para que las utilice solamente el personal de servicio cualificado. Para reducir el riesgo de producir un incendio o sufrir una descarga eléctrica, no haga ningún trabajo de servicio que no esté explicado en las instrucciones de funcionamiento, a menos que usted esté cualificado para hacerlo.

- 1** Desenrosque los dos tornillos de la AJ-YBX200G para extraer el disipador térmico 1.

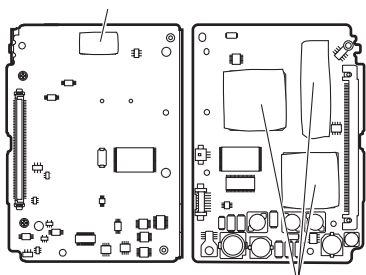


- 2** Desenrosque los tres tornillos y las tuercas de la AJ-YBX200G para extraer el disipador térmico 2.



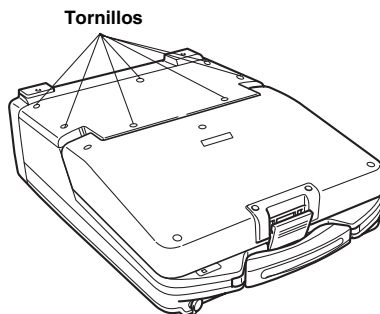
- 3** Extraiga las placas de enfriamiento si aún están en la AJ-YBX200G después de haber extraído los disipadores 1 y 2.

Placa de enfriamiento

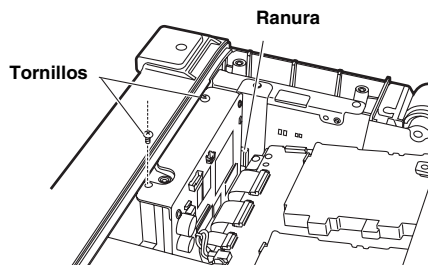


- 4** Asegúrese de que la AJ-HPM100/AJ-HPM110 esté apagada.

- 5** Desenrosque los siete tornillos de la AJ-HPM100/AJ-HPM110 para extraer panel superior.



- 6** Coloque la AJ-YBX200G en el terminal de la AJ-HPM100/AJ-HPM110, funcionando a lo largo de la ranura de AJ-HPM100/AJ-HPM110 y fijela con los dos tornillos de 3,0 mm.



- 7** Sustituya el panel superior y atorníllelo.

# Ajustes para la AJ-HPM100/AJ-HPM110

Al grabar con la AJ-HPM100 usando el códec AVC-Intra, los ajustes se realizan en el menú de configuración.

Ver el manual de instrucciones del soporte principal para obtener instrucciones sobre cómo configurar el menú de configuración.

Formato de grabación		Ajustes del menú de configuración		
		25: SYSTEM FREQ	020: SYS FORMAT	025: REC FMT (HD)
AVC-Intra 100	1080/59,94i	59.94	1080i	AVC100
	720/59,94P		720p	
AVC-Intra 50	1080/59,94i		1080i	AVC50
	720/59,94P		720p	
AVC-Intra 100	1080/50i	50	1080i	AVC100
	720/50P		720p	
AVC-Intra 50	1080/50i		1080i	AVC50
	720/50P		720p	

## <Notas>

- Durante la reproducción, el formato es identificado automáticamente. Sin embargo, los clips con una frecuencia de sistema distinta no se pueden reproducir.
- Consulte el manual de instrucciones del soporte principal para saber cómo configurar la frecuencia de sistema de AJ-HPM110.

## Menú de configuración

Al equipar este producto con la AJ-HPM100/AJ-HPM110, aparece disponible el siguiente menú de configuración.

Objeto		Configuración		Detalles de la configuración y descripción del funcionamiento previo
FR Núm.	SUPER DISP.	FR Núm.	SUPER DISP.	
025	REC FMT(HD)	0000 0001 0002	DVCPRO AVC50 AVC100	Seleccione el formato de grabación cuando el menú núm. 020 SYS FORMAT esté ajustado a 1080i o 720p. 0: Seleccione DVCPRO HD (100 Mbps). 1: Seleccione AVC-Intra 50. 2: Seleccione AVC-Intra 100.

\_\_\_\_\_ es el modo de ajuste de fábrica.

## Mensaje de error

Al equipar este producto con la AJ-HPM100/AJ-HPM110, se añade el siguiente mensaje de error.

Error		Detalles	Funcionamiento
Número	Mensaje		
E-39	CONFIG ERROR	Se visualiza cuando la placa opcional AVC-no puede ser inicializada. Dado que es posible que se trate de un fallo de la placa opcional, contacte con el comercio en la que la compró.	La AJ-HPM100/AJ-HPM110 deja de funcionar.

## Instrucciones de uso

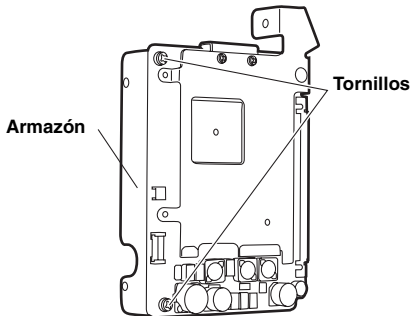
- La entrada y salida con IEEE 1394 no puede realizarse durante la reproducción o la grabación de la AVC-Intra.
- Los clips reproducidos a una cadencia de cuadros de 23,98P o 29,97P grabados con la cámara, son convertidos hasta 1080/59,94i o 720/59,94P para la salida. Los clips reproducidos a una cadencia de cuadros de 25P con la cámara son convertidos hasta 1080/50i o 720/50P para la salida.(Sólo AJ-HPM100)
- Las notas de texto de clips que no se pueden reproducir, como los que tienen una frecuencia de sistema diferente, no se pueden visualizar como miniaturas.

# Instalación dentro de la AJ-HPS1500

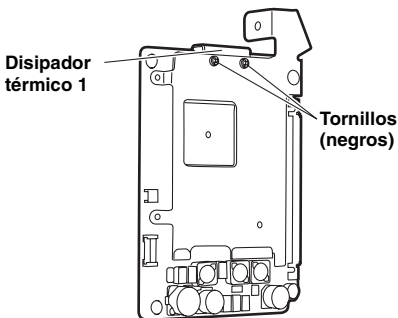
## PRECAUCIÓN:

Estas instrucciones de servicio han sido preparadas para que las utilice solamente el personal de servicio cualificado. Para reducir el riesgo de producir un incendio o sufrir una descarga eléctrica, no haga ningún trabajo de servicio que no esté explicado en las instrucciones de funcionamiento, a menos que usted esté cualificado para hacerlo.

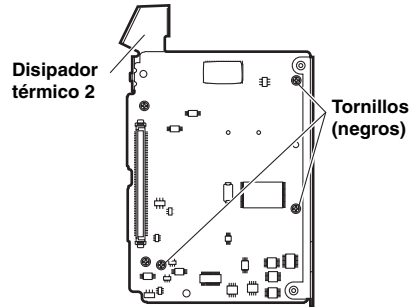
- 1** Desenrosque los dos tornillos de la AJ-YBX200G para extraer el armazón.



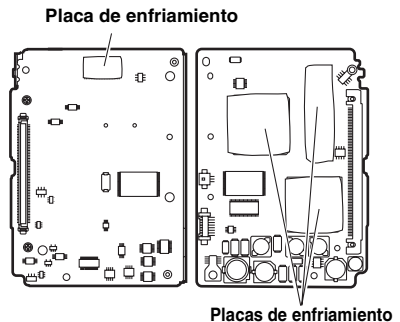
- 2** Desenrosque los dos tornillos de la AJ-YBX200G para extraer el disipador térmico 1.



- 3** Desenrosque los tres tornillos y las tuercas de la AJ-YBX200G para extraer el disipador térmico 2.

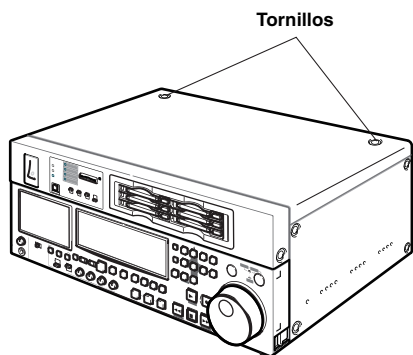


- 4** Extraiga las placas de enfriamiento si aún están en la AJ-YBX200G después de haber extraído los disipadores 1 y 2.

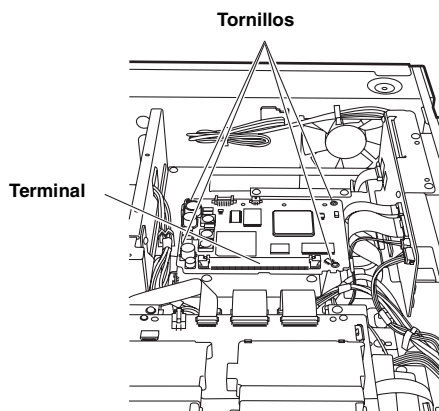


- 5** Asegúrese de que la AJ-HPS1500 esté apagada.

- 6** Desenrosque los dos tornillos de la AJ-HPS1500 para extraer panel superior.



- 7** Coloque la AJ-YBX200G en el terminal de la AJ-HPS1500 y fíjela con los cuatro tornillos de 2,6 mm.



- 8** Sustituya el panel superior y atorníllelo.

# Ajustes para la AJ-HPS1500

Al grabar con la AJ-HPS1500 usando el códec AVC-Intra, los ajustes se realizan en el menú de configuración.

Ver el manual de instrucciones del soporte principal para obtener instrucciones sobre cómo configurar el menú de configuración.

Formato de grabación		Ajustes del menú de configuración		
		25: SYSTEM FREQ	020: SYS FORMAT	025: REC FMT (HD)
AVC-Intra 100	1080/59,94i	59,94	1080i	AVC100
	720/59,94P		720p	
AVC-Intra 50	1080/59,94i		1080i	AVC50
	720/59,94P		720p	
AVC-Intra 100	1080/50i	50	1080i	AVC100
	720/50P		720p	
AVC-Intra 50	1080/50i		1080i	AVC50
	720/50P		720p	

## <Notas>

- Durante la reproducción, el formato es identificado automáticamente. Sin embargo, los clips con una frecuencia de sistema distinta no se pueden reproducir.
- Consulte el manual de instrucciones del soporte principal para saber cómo configurar la frecuencia de sistema de AJ-HPS1500.

## Menú de configuración

Al equipar este producto con la AJ-HPS1500, aparece disponible el siguiente menú de configuración.

Objeto		Configuración		Detalles de la configuración y descripción del funcionamiento previo
FR Núm.	SUPER DISP.	FR Núm.	SUPER DISP.	
025	REC FMT(HD)	0000 0001 0002	DVCPRO AVC50 AVC100	Seleccione el formato de grabación cuando el menú núm. 020 SYS FORMAT esté ajustado a 1080i o 720p. 0: Seleccione DVCPRO HD (100 Mbps). 1: Seleccione AVC-Intra 50. 2: Seleccione AVC-Intra 100.

\_\_\_\_\_ es el modo de ajuste de fábrica.

## Mensaje de error

Al equipar este producto con la AJ-HPS1500, se añade el siguiente mensaje de error.

Error		Detalles	Funcionamiento
Número	Mensaje		
E-39	CONFIG ERROR	Se visualiza cuando la placa opcional AVC-no puede ser inicializada. Dado que es posible que se trate de un fallo de la placa opcional, contacte con el comercio en la que la compró.	La AJ-HPS1500 deja de funcionar.

## Instrucciones de uso

- Los clips reproducidos a una cadencia de cuadros de 23,98P o 29,97P grabados con la cámara, son convertidos hasta 1080/59,94i o 720/59,94P para la salida. Los clips reproducidos a una cadencia de cuadros de 25P grabados con la cámara, son convertidos hasta 1080/50i o 720/50P para la salida.
- Las notas de texto de clips que no se pueden reproducir, como los que tienen una frecuencia de sistema diferente, no se pueden visualizar como miniaturas.

# Especificaciones

---

## Placa de Códecs de AVC-Intra

Dimensiones externas (An × Al × Prof):

115 mm × 84 mm × 13 mm

(excluida el armazón y el  
disipadores térmico)

Peso: 80 g

(excluida el armazón y el  
disipadores térmico)

## Video

Formatos de grabación de imágenes:

AVC-Intra100, AVC-Intra50

Rango de frecuencia:

Y: 74,1758 MHz (59,94 Hz)

PB/PR: 37,0879 MHz (59,94 Hz)

Y: 74,25 MHz (50 Hz)

PB/PR: 37,175 MHz (50 Hz)

Cuantificación

10 bits

Tecnología de la compresión :

Perfil interno H.264/AVC

El peso y las dimensiones son aproximados.  
Las especificaciones están sujetas a cambios  
sin previo aviso.



**AJ-YBX200G を各機種に取り付ける際は、必ず販売店にご相談ください。**

---

本製品は、**AVC Patent Portfolio License**に基づきライセンスされており、お客様が個人的かつ非営利目的において以下に記載する行為に係る個人使用を除いてはライセンスされておりません。

- AVC規格に準拠する動画（以下、AVC ビデオ）を記録する場合
- 個人的かつ非営利的活動に従事する消費者によって記録されたAVCビデオを再生する場合
- ライセンスをうけた提供者から入手されたAVCビデオを再生する場合

詳細については米国法人MPEG LA, LLC (<http://www.mpegla.com>) をご参照下さい。

---

保証とアフターサービスについては、装着する機器側の取扱説明書を参照してください。

## ご注意

---

- 本製品をぬれた手で触れないでください。
- 本製品を落したり、強い衝撃を加えないでください。
- 本製品の部品や基板のパターンには手をふれないようにしてください。（静電気による破壊を防止するためにお守りください）

## 概要

---

AJ-YBX200Gは、メモリーカードカメラレコーダー AJ-HPX2100、メモリーカードポータブルレコーダー/プレーヤー AJ-HPM100/AJ-HPM110、メモリーカードレコーダー AJ-HPS1500用のAVC-Intraコーデックボードです。

本ボードを正しく装着したにもかかわらず、AVC-Intraの記録再生ができない場合、本体側ファームウェアのアップデートが必要となる場合があります。ファームウェアに関する最新情報は、下記ウェブサイトよりP2のサポートページをご覧ください。

<http://panasonic.biz/sav/>

## 特長

---

本製品を装着することにより、新コーデックAVC-Intraに対応します。HD映像を最新の動画圧縮技術H.264規格ベースのフレーム内（Intra-Frame）圧縮方式により、高画質、高圧縮率、高編集精度を実現します。

本製品のAVC-Intraコーデックでは下記の2方式に対応しています。

- フルサンプルHDをサポートする高画質：AVC-Intra100
- 低レート・低コストで運用可能：AVC-Intra50

## 対応モデル

---

メモリーカードカメラレコーダー	： AJ-HPX2100
メモリーカードポータブルレコーダー/プレーヤー	： AJ-HPM100/AJ-HPM110
メモリーカードレコーダー	： AJ-HPS1500

## 同梱品

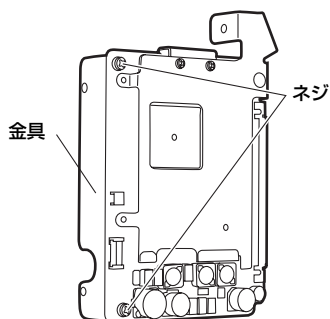
---

2.6mm径ネジ×4  
3.0mm径ネジ×2

# AJ-HPX2100 への取り付け

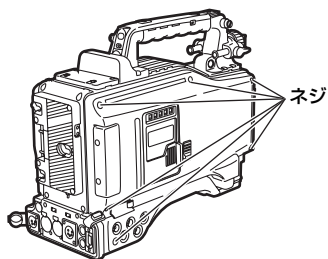
AJ-YBX200Gを各機種に取り付ける際は、必ず販売店にご相談ください。

- 1 AJ-YBX200Gから2本のネジを外し、金具を外します。

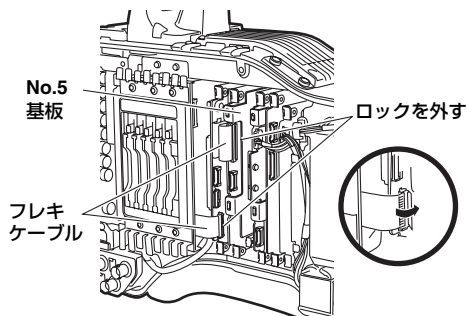


- 2 AJ-HPX2100の電源がOFFになっていることを確認してください。

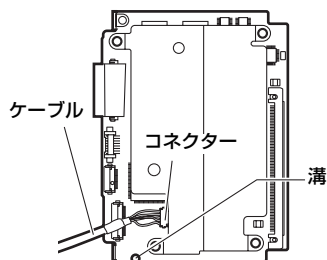
- 3 AJ-HPX2100の正面から見て左側のネジを6本外し、サイドパネルを外します。



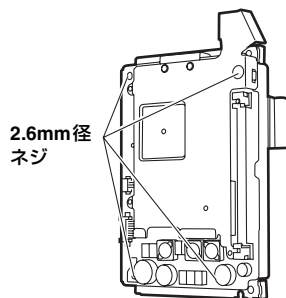
- 4 2箇所のロックを外し、2本のフレキケーブルを外してから、No.5基板を外します。



- 5 4で外したNo.5基板からケーブルを外します。このときケーブルを引っ張ると断線する恐れがありますので、コネクタを持って抜いてください。



- 6 5のNo.5基板の端子にAJ-YBX200Gをはめ込み、付属の2.6mm径ネジ4本を使って固定します。



- 7 5で外したケーブルを、元通り接続します。

- 8 No.5基板を元の位置に差します。このとき、7で接続したケーブルをNo.5基板の溝に沿わせてください。(5の図参照) 4で外したフレキケーブルも、元通りの位置に差し、ロックをかけます。

- 9 サイドパネルを元の位置に戻し、ネジで止めます。このとき、5で外したケーブルを挟み込まないように、気をつけてください。

フレキケーブルのロックをしなかったり、基板が斜め差しになっている場合、カメラレコーダーが記録障害などを起こす場合があります。

# AJ-HPX2100 の設定

AJ-HPX2100でAVC-Intraコーデックを使用し  
て記録する場合は、設定メニューのSYSTEM  
SETTINGページの<SYSTEM MODE>画面で設  
定します。

メニューの設定については、AJ-HPX2100の取  
扱説明書を参照してください。

記録フォーマット		メインメニュー設定	
		SYSTEM MODE	REC MODE
AVC- Intra 100	1080/59.94i	1080-59.94i	AVC-I 100
	720/59.94P	720-59.94P	
AVC- Intra 50	1080/59.94i	1080-59.94i	AVC-I 50
	720/59.94P	720-59.94P	
AVC- Intra 100	1080/50i	1080-50i	AVC-I 100
	720/50P	720-50P	
AVC- Intra 50	1080/50i	1080-50i	AVC-I 50
	720/50P	720-50P	

## <ノート>

- 設定メニューのSYSTEM MODE項目を切り  
替えたときは、本体の電源を一度OFFにして  
から、再度ONにしてください。
- 再生時はフォーマットを自動判別して再生し  
ます。ただし、SYSTEM MODEの異なるク  
リップの再生はできません。

## 設定メニュー

本製品をAJ-HPX2100に装着すると、下記の設  
定メニューが有効になります。

## SYSTEM SETTINGのSYSTEM MODE画面

項 目/ データ保存	可変範囲	備 考
REC MODE	HD モード (1080i) : DVCPRO HD AVC-I 50 AVC-I 100 HD モード (720P) : DVCPRO HD DVC HD (N) AVC-I 50 AVC-I 100	記録モードを選択します。 <b>DVCPRO HD:</b> DVCPRO HD フォーマッ トで記録します。 <b>DVC HD (N):</b> DVCPRO HDのNative モードで記録します。 <b>AVC-I 50:</b> AVC-I 50 フォーマットで 記録します。 <b>AVC-I 100:</b> AVC-I 100 フォーマット で記録します。

## MAINTENANCEのDIAGNOSTIC2画面

項 目/ データ保存	可変範囲	備 考
AVC-I SOFT		AVC-I 基板 (オプション) の制御ソフトウェアバージョンを 表示します。
AVC-I FPGA		AVC-I 基板 (オプション) のFPGA プログラムバー ジョンを表示します。

## エラーメッセージ

本製品をAJ-HPX2100に装着することにより、  
下記のエラーコード表示が追加されます。  
何らかの原因で本機にエラーが発生したとき  
には、表示窓に下記のエラーコードを表示します。

コードNo.	内容
E-39	AVC-I オプションボードの初期化異常

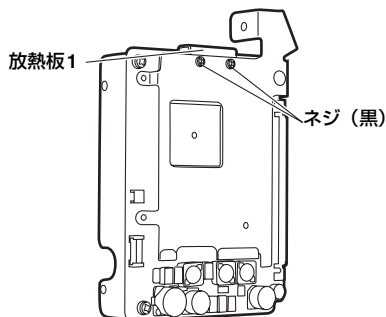
## 使用上のご注意

- AVC-Intraの再生あるいは記録時には  
IEEE1394での入出力はできません。
- カメラレコーダーで記録されたフレームレ  
ートが23.98P、29.97Pのクリップを再生す  
る場合は1080/59.94iまたは720/59.94Pへ  
プルダウンして出力します。また、25Pのク  
リップを再生する場合は1080/50iまたは  
720/50Pへプルダウンして出力します。
- SYSTEM MODEと異なるなど再生できな  
いクリップのテキストメモのサムネール表  
示はできません。

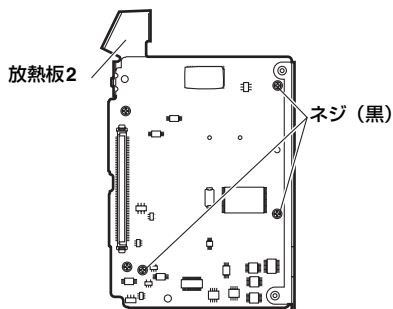
# AJ-HPM100/AJ-HPM110 への取り付け

AJ-YBX200Gを各機種に取り付ける際は、必ず販売店にご相談ください。

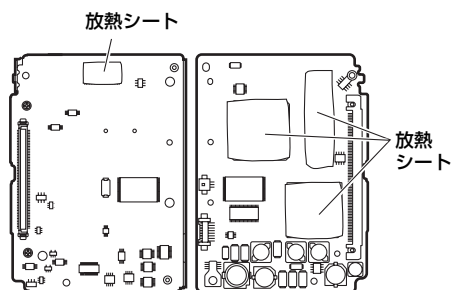
- 1 AJ-YBX200Gから2本のネジを外し、放熱板1を外します。



- 2 AJ-YBX200Gから3本のネジとナットを外し、放熱板2を外します。

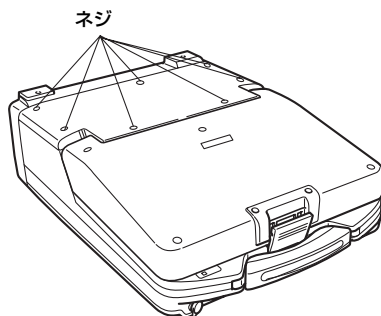


- 3 放熱板1と2を外したあとに、AJ-YBX200Gに放熱シートが残っていた場合は、はがしてください。

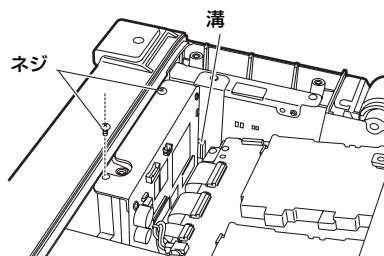


- 4 AJ-HPM100/AJ-HPM110の電源がOFFになっていることを確認してください。

- 5 AJ-HPM100/AJ-HPM110からネジを7本外し、天板を外します。



- 6 AJ-YBX200Gを、AJ-HPM100/AJ-HPM110の端子に溝に沿わせて差し込み、付属の3.0mm径ネジ2本を使って固定します。



- 7 天板をはめ込み、ネジ止めします。

# AJ-HPM100/AJ-HPM110 の設定

AJ-HPM100で、AVC-Intraコーデックを使用して記録する場合はセットアップメニューで設定します。セットアップメニューの設定方法については、本体の取扱説明書を参照してください。

記録フォーマット		セットアップメニュー設定			
		25: SYSTEM FREQ	020: SYS FORMAT	025: REC FMT (HD)	
AVC-Intra 100	1080/59.94i	59.94	1080i	AVC100	
	720/59.94P		720p		
AVC-Intra 50	1080/59.94i		1080i	AVC50	
	720/59.94P		720p		
AVC-Intra 100	1080/50i		50	1080i	AVC100
	720/50P			720p	
AVC-Intra 50	1080/50i	1080i		AVC50	
	720/50P	720p			

## <ノート>

- 再生時はフォーマットを自動的に判別して再生します。ただし、システム周波数の異なるクリップの再生はできません。
- AJ-HPM110のシステム周波数設定については、本体の取扱説明書を参照してください。

## セットアップメニュー

本製品をAJ-HPM100/AJ-HPM110に装着すると、下記のセットアップメニューが表示されます。

項目		設定値		設定内容および概略機能説明
FR No.	SUPER DISP.	FR No.	SUPER DISP.	
025	REC FMT (HD)	0000 0001 0002	DVCPRO AVC50 AVC100	メニュー No.020 SYS FORMAT が 1080i または 720p に設定されている場合の記録フォーマットを選択します。 0 : DVCPRO HD (100Mbps) を選択します。 1 : AVC-Intra 50 を選択します。 2 : AVC-Intra 100 を選択します。

\_\_\_\_\_ は、工場出荷モードです。

## エラーメッセージ

本製品をAJ-HPM100/AJ-HPM110に装着すると、下記のエラーメッセージが追加になります。

エラー		内容	動作
番号	メッセージ		
E-39	CONFIG ERROR	AVC-I オプションボードの初期化ができない場合に 표시됩니다。オプションボードの故障が考えられますので、お買い上げ販売店にご相談ください。	AJ-HPM100/AJ-HPM110 の動作が停止します。

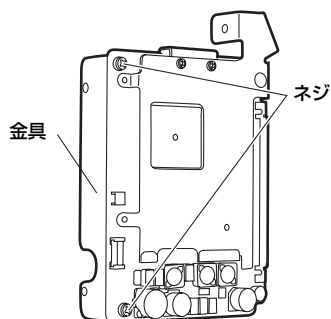
## 使用上のご注意

- AVC-Intraの再生、あるいは記録時にはIEEE1394での入出力はできません。
- カメラレコーダーで記録されたフレームレートが23.98P、29.97Pのクリップを再生する場合は1080/59.94iまたは720/59.94Pへプルダウンして出力します。また25Pのクリップを再生する場合は1080/50iまたは720/50Pへプルダウンして出力します。(AJ-HPM100のみ)
- システム周波数と異なるなど、再生できないクリップのテキストメモのサムネール表示はできません。

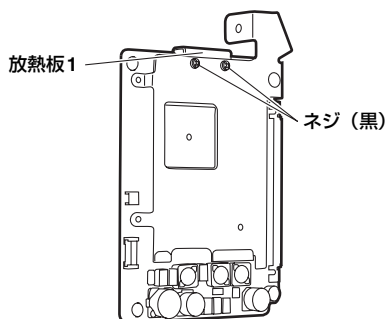
# AJ-HPS1500 への取り付け

AJ-YBX200Gを各機種に取り付ける際は、必ず販売店にご相談ください。

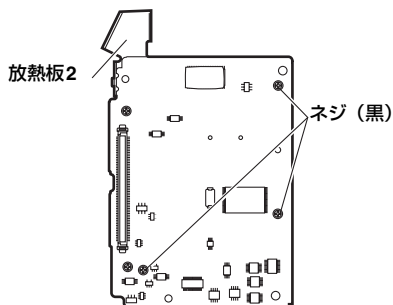
- 1 AJ-YBX200Gから2本のネジを外し、金具を外します。



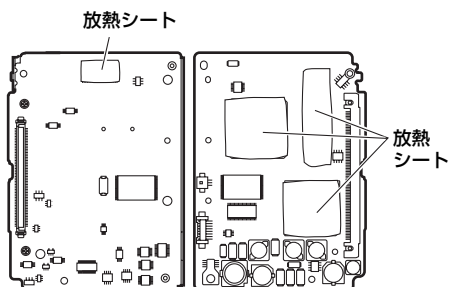
- 2 AJ-YBX200Gから2本のネジを外し、放熱板1を外します。



- 3 AJ-YBX200Gから3本のネジとナットを外し、放熱板2を外します。

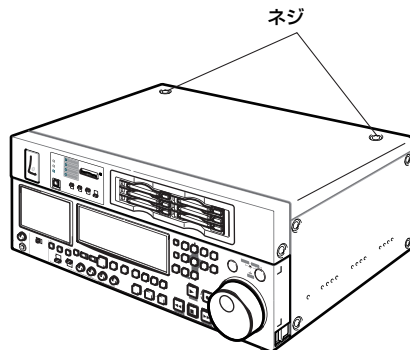


- 4 放熱板1と2を外したあとに、AJ-YBX200Gに放熱シートが残っていた場合は、はがしてください。

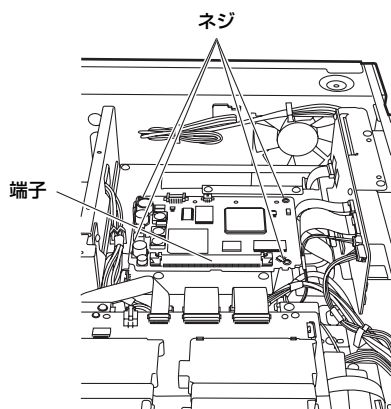


- 5 AJ-HPS1500の電源がOFFになっていることを確認してください。

- 6 AJ-HPS1500からネジを2本外し、天板を外します。



- 7** AJ-YBX200GをAJ-HPS1500の端子にはめ込み、付属の2.6mm径ネジ4本を使って固定します。



- 8** 天板をはめ込み、ネジ止めします。



# AJ-HPS1500 の設定

AJ-HPS1500で、AVC-Intra コーデックを使用し  
て記録する場合はセットアップメニューで設定  
します。

セットアップメニューの設定方法については、  
本体の取扱説明書を参照してください。

再生時はフォーマットを自動的に判別して再生  
します。ただし、システム周波数の異なるク  
リップの再生はできません。

記録フォーマット		セットアップメニュー設定	
		020: SYS FORMAT	025: REC FMT (HD)
AVC- Intra 100	1080/59.94i	1080i	AVC100
	720/59.94P	720p	
AVC- Intra 50	1080/59.94i	1080i	AVC50
	720/59.94P	720p	

## セットアップメニュー

本製品をAJ-HPS1500に装着すると、下記のセットアップメニューが有効になります。

項目		設定値		設定内容および概略機能説明
FR No.	SUPER DISP.	FR No.	SUPER DISP.	
025	REC FMT(HD)	0000 0001 0002	DVCPRO AVC50 AVC100	メニュー No.020 SYS FORMAT が 1080i または 720p に設定されている場合の記録フォーマットを選択します。 0 : DVCPRO HD (100Mbps) を選択します。 1 : AVC-Intra 50 を選択します。 2 : AVC-Intra 100 を選択します。

\_\_\_\_\_ は、工場出荷モードです。

## エラーメッセージ

本製品をAJ-HPS1500に装着すると、下記のエラーメッセージが追加になります。

エラー		内容	動作
番号	メッセージ		
E-39	CONFIG ERROR	AVC-I オプションボードの初期化ができない場合に表示します。オプションボードの故障が考えられますので、お買い上げ販売店にご相談ください。	AJ-HPS1500 の動作が停止します。

## 使用上のご注意

- カメラレコーダーで記録されたフレームレートが23.98P、29.97Pのクリップを再生する場合は1080/59.94i、または720/59.94Pへプルダウンして出力します。
- システム周波数が異なるなど、再生できないクリップのテキストメモのサムネール表示はできません。

# 定 格

---

## AVC-Intraコーデックボード

外形寸法 (幅 × 高さ × 奥行き) :  
115 mm × 84mm × 13mm  
(金具・放熱板を除く)

質量 : 80 g  
(金具・放熱板を除く)

## ビデオ

記録フォーマット :  
AVC-Intra100、AVC-Intra50

サンプリング周波数 :  
Y : 74.1758 MHz (59.94 Hz)  
PB/PR : 37.0879 MHz (59.94 Hz)  
Y : 74.25 MHz (50 Hz)  
PB/PR : 37.175 MHz (50 Hz)

量子化ビット数 :  
10ビット

圧縮方式 :  
H.264/AVCイントラプロファイル

この仕様は、性能向上のため変更することがあります。



## **Panasonic Corporation**

Web Site: <http://panasonic.net>

## **Panasonic Solutions Company**

3 Panasonic Way, Secaucus, NJ 07094 Tel: 877-803-8492  
[www.panasonic.com/broadcast](http://www.panasonic.com/broadcast) e-mail: [MediaProServices.PSC@us.panasonic.com](mailto:MediaProServices.PSC@us.panasonic.com)

## **Panasonic Canada Inc.**

5770 Ambler Drive, Mississauga, Ontario L4W 2T3 Tel: 905-624-5010

## **Panasonic de México S.A. De C.V.**

Casa Matriz: Felix Cuevas No.6 Piso 2 y 3 Col. Tlacoquemecatl Del Valle Del.Benito Juárez, México, D.F., C.P.03200  
Tel: 55-5488-1000 Fax: 55-5575-6783

## **Panasonic Latin America, S.A.**

P.O.Box 0816-03164 Panama, Republic of Panama Tel: +507-229-2955 Fax: 507-229-5352

## **Panasonic do Brasil Ltda.**

Rua Cubatão, 320-6º andar-Paraiso CEP 04013-001- São Paulo -SP Tel: 11-3889-4000 Fax: 11-3889-4004

## **파나소닉 코리아 주식회사 (PKL)**

서울특별시 서초구 서초동 1553-5 오피런스 17 층  
서비스 문의 : 02-533-8452  
<http://panasonic.kr>

## **パナソニック株式会社 AVC ネットワークス社 システム事業グループ**

〒 571-8503 大阪府門真市松葉町 2 番 15 号 ☎ (06) 6901-1161

