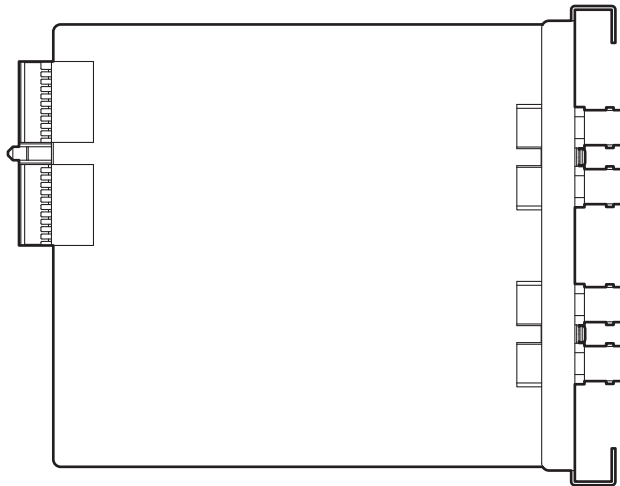


Panasonic®

Operating Instructions

SDI Output Board

Model No. **AV-HS04M7**



Before operating this product, please read the instructions carefully and save this manual for future use.

ENGLISH VERSION

Safety precautions



CAUTION
RISK OF ELECTRIC SHOCK
DO NOT OPEN



CAUTION: TO REDUCE THE RISK OF ELECTRIC SHOCK, DO NOT REMOVE COVER (OR BACK).
NO USER SERVICEABLE PARTS INSIDE.
REFER TO SERVICING TO QUALIFIED SERVICE PERSONNEL.



The lightning flash with arrowhead symbol, within an equilateral triangle, is intended to alert the user to the presence of uninsulated “dangerous voltage” within the product’s enclosure that may be of sufficient magnitude to constitute a risk of electric shock to persons.



The exclamation point within an equilateral triangle is intended to alert the user to the presence of important operating and maintenance (service) instructions in the literature accompanying the appliance.

WARNING:

- TO REDUCE THE RISK OF FIRE OR ELECTRIC SHOCK, DO NOT EXPOSE THIS APPARATUS TO RAIN OR MOISTURE.
- THE APPARATUS SHALL NOT BE EXPOSED TO DRIPPING OR SPLASHING AND THAT NO OBJECTS FILLED WITH LIQUIDS, SUCH AS VASES, SHALL BE PLACED ON THE APPARATUS.

CAUTION:

TO REDUCE THE RISK OF FIRE OR SHOCK HAZARD AND ANNOYING INTERFERENCE, USE THE RECOMMENDED ACCESSORIES ONLY.

CAUTION:

TO REDUCE THE RISK OF FIRE OR SHOCK HAZARD, REFER CHANGES OF SWITCH SETTINGS INSIDE THE UNIT TO QUALIFIED SERVICE PERSONNEL.

 indicates safety information.

Safety precautions

For CANADA

**This class A digital apparatus complies with Canadian ICES-003.
Cet appareil numérique de la classe A est conforme à la norme
NMB-003 du Canada.**

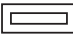
FCC Note:

This equipment has been tested and found to comply with the limits for a class A digital device, pursuant to Part 15 of the FCC Rules. These limits are designed to provide reasonable protection against harmful interference when the equipment is operated in a commercial environment. This equipment generates, uses, and can radiate radio frequency energy, and if not installed and used in accordance with the instruction manual, may cause harmful interference to radio communications. Operation of this equipment in a residential area is likely to cause harmful interference in which case the user will be required to correct the interference at his own expense.

Warning:

To assure continued FCC emission limit compliance, the user must use only shielded interface cables when connecting to external units. Also, any unauthorized changes or modifications to this equipment could void the user's authority to operate it.


ENGLISH

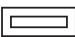
 indicates safety information.

Safety precautions

IMPORTANT SAFETY INSTRUCTIONS

Read these operating instructions carefully before using the unit. Follow the safety instructions on the unit and the applicable safety instructions listed below. Keep these operating instructions handy for future reference.

- 1) Read these instructions.
- 2) Keep these instructions.
- 3) Heed all warnings.
- 4) Follow all instructions.
- 5) Do not use this apparatus near water.
- 6) Clean only with dry cloth.
- 7) Do not block any ventilation openings. Install in accordance with the manufacturer's instructions.
- 8) Do not install near any heat sources such as radiators, heat registers, stoves, or other apparatus (including amplifiers) that produce heat.
- 9) Do not defeat the safety purpose of the polarized or grounding-type plug. A polarized plug has two blades with one wider than the other. A grounding-type plug has two blades and a third grounding prong. The wide blade or the third prong are provided for your safety. If the provided plug does not fit into your outlet, consult an electrician for replacement of the obsolete outlet.
- 10) Protect the power cord from being walked on or pinched particularly at plugs, convenience receptacles, and the point where they exit from the apparatus.
- 11) Only use attachments/accessories specified by the manufacturer.
- 12) Use only with the cart, stand, tripod, bracket, or table specified by the manufacturer, or sold with the apparatus. 
When a cart is used, use caution when moving the cart/apparatus combination to avoid injury from tip-over.
- 13) Unplug this apparatus during lightning storms or when unused for long periods of time.
- 14) Refer all servicing to qualified service personnel. Servicing is required when the apparatus has been damaged in any way, such as power-supply cord or plug is damaged, liquid has been spilled or objects have fallen into the apparatus, the apparatus has been exposed to rain or moisture, does not operate normally, or has been dropped.

 indicates safety information.

Safety precautions

Information on Disposal for Users of Waste Electrical & Electronic Equipment (private households)



This symbol on the products and/or accompanying documents means that used electrical and electronic products should not be mixed with general household waste.

For proper treatment, recovery and recycling, please take these products to designated collection points, where they will be accepted on a free of charge basis. Alternatively, in some countries you may be able to return your products to

your local retailer upon the purchase of an equivalent new product.

Disposing of this product correctly will help to save valuable resources and prevent any potential negative effects on human health and the environment which could otherwise arise from inappropriate waste handling.

Please contact your local authority for further details of your nearest designated collection point.

Penalties may be applicable for incorrect disposal of this waste, in accordance with national legislation.

For business users in the European Union

If you wish to discard electrical and electronic equipment, please contact your dealer or supplier for further information.

Information on Disposal in other Countries outside the European Union

This symbol is only valid in the European Union.

If you wish to discard this product, please contact your local authorities or dealer and ask for the correct method of disposal.

Importer's name and address of pursuant to EU rules:

Panasonic Testing Centre

Panasonic Marketing Europe GmbH

Winsbergring 15, 22525 Hamburg, Germany

Contents

Safety precautions	1	Mounting	10
Introduction	5	Connections	13
Accessory	5	Appearance	14
Precautions for use	6	Specifications	15
Name of each part	7		

Introduction

When this board is installed in the AV-HS400AN/AE (or AV-HS400N/E) multi-format live switcher, it enables two SDI output lines to be supported.
An down-converter function is also incorporated in each of the two SDI output lines for converting HD format signals into SD format signals.

Accessory

Operating instructions	1
------------------------------	---

Precautions for use

- **Handle carefully.**

Do not drop the product, or subject it to strong shock or vibration.

- **Use the product in an ambient temperature of 0 °C to 40 °C (32 °F to 104 °F).**

Avoid using the product at a cold place below 0 °C (32 °F) or at a hot place above 40 °C (104 °F) because extremely low or high temperature will adversely affect the parts inside.

- **Power off before connecting or disconnecting cables.**

Before plugging or unplugging the cables, be sure to switch power off.

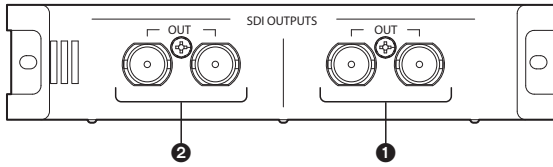
- **Avoid humidity and dust.**

Avoid using the product at a humid, dusty place because much humidity and dust will cause damage to the parts inside.

- **When the product is to be discarded**

When the product is to be discarded at the end of its service life, ask a specialized contractor to dispose of it properly in order to protect the environment.

Name of each part



1 SDI output connectors [SDI OUTPUTS]

When connected to the SLOT1 option output connector: OUTPUT3

When connected to the SLOT2 option output connector: OUTPUT5

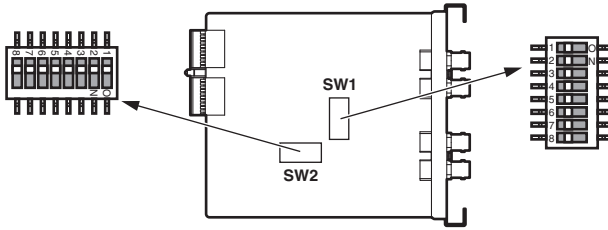
2 SDI output connectors [SDI OUTPUTS]

When connected to the SLOT1 option output connector: OUTPUT4

When connected to the SLOT2 option output connector: OUTPUT6

Name of each part

③ Setting switches



ENGLISH

<Setting switch table>

SW1

Switch No.		Off	On	Factory setting
1	Reserved	—	—	Off
2		—	—	Off
3		—	—	Off
4	Screen position	4: Off, 5: Off Center		Off
5		4: On, 5: Off Right 4: Off, 5: On Left 4: On, 5: On Center		
6	Gamut limiter	6: Off, 7: Off Off		Off
7		6: On, 7: Off 108 % 6: Off, 7: On 104 % 6: On, 7: On 100 %		
8		Color matrix conversion	Convert	

Reserve:

Use in the OFF position (factory default).

Screen position setting:

Select between center, right and left for the screen position in EC (Edge Crop) mode.

Gamut limiter setting:

Set whether to limit the incoming image signal to a 100 %, 104 % or 108 % level (black at 0 %) in the RGB range or to not place a limit on it (OFF).

Color matrix conversion:

Set whether or not to perform color conversion on ITU-R BT.709 image signals to convert them to ITU-R BT.601 image signals.

Name of each part

SW2

Switch No.		Off	On	Factory setting
1	Reserved	—	—	Off
2	Reserved	—	—	Off
3	Reserved	—	—	Off
4	Reserved	—	—	Off
5	Reserved	—	—	Off
6	Reserved	—	—	Off
7	Reserved	—	—	Off
8	Reserved	—	—	Off

Use switches no. 1 to 8 at the “off” (factory setting) position.

Mounting

Install this board in the multi-format live switcher AV-HS400AN/AE (or AV-HS400N/E).

Note:

When installing this board to the AV-HS400N/E, the AV-HS400N/E system must be upgraded to version 2.00.00 or higher.

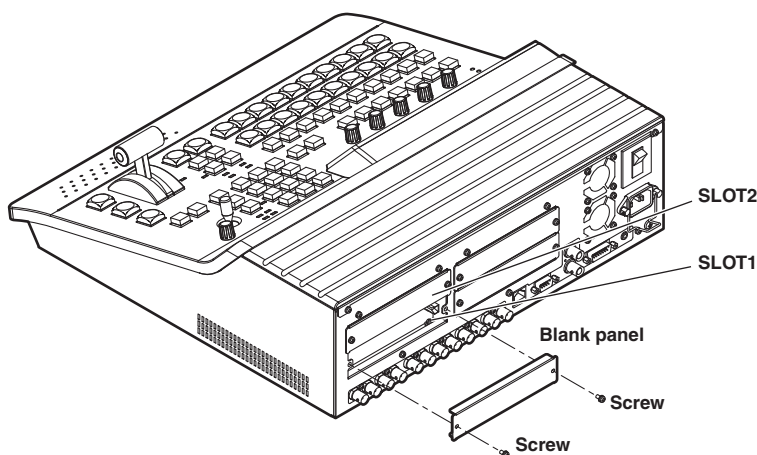
Consult with your dealer about updating the system version.

<Notes>

- Be sure to ask the store or dealer where you purchased the product for assistance with mounting and removal.
- Set to OFF and unplug the power connector before mounting and removal.
- Before handling this board, touch a metal part of the AV-HS400AN/AE (or AV-HS400N/E) to discharge the static electricity from the human body.
An anti-static wrist strap is recommended for safety. Failures may be caused if you touch this board while you are still charged with static electricity.
- Before installing this board, keep the metal parts of this board free of contact with other metal parts.
- Be sure to mount the blank panel installed with the AV-HS400AN/AE (or AV-HS400N/E), after removing this board.
- When installing or removing this board, take care not to hurt yourself on the edges and metal parts of the boards.

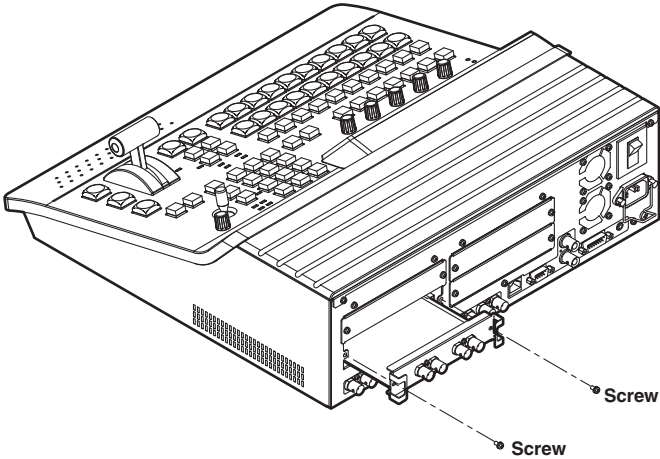
① Turn off the power of the AV-HS400AN/AE (or AV-HS400N/E), and unplug the power cord.

② Loosen the two screws of SLOT1 or SLOT2 on the output side at the rear of the AV-HS400AN/AE (or AV-HS400N/E), and remove the blank panel.



Mounting

- ③ Align the board with the guide rails, and insert it slowly.
Insert it all the way in. Take care not to use force to insert the board because the connectors may be damaged in the process.
- ④ Attach the board using the two screws.



- ⑤ After connecting the necessary cables, plug in the power cord, and turn on the power.

Mounting

Checking that the board has been mounted correctly

Turn on the power of the AV-HS400AN/AE (or AV-HS400N/E), and use the menu used to display the statuses of the option boards to check that the board has been mounted correctly.

- ① Press the [FUNC] button to light its indicator, and press the [SYSTEM] button to display the SYSTEM menu.
- ② Turn [F1] to display the OptVer sub menu.

<Menu display>

OptVer	Select	Board	Version
16/16	OUT-SL1	SDI	****

- ③ Turn [F2] to select the option slot (OUT-SL1 or OUT-SL2) using the Select item.

If the board has been mounted correctly, "SDI" will appear at the Board item.
If it has not been mounted correctly, "None" will appear at the Board item.

For details on the output signal settings and operating methods, refer to the operating instructions in CD-ROM of the AV-HS400AN/AE.

- 4-4. Setting the output signals
- 4-11. Setting the down-converter

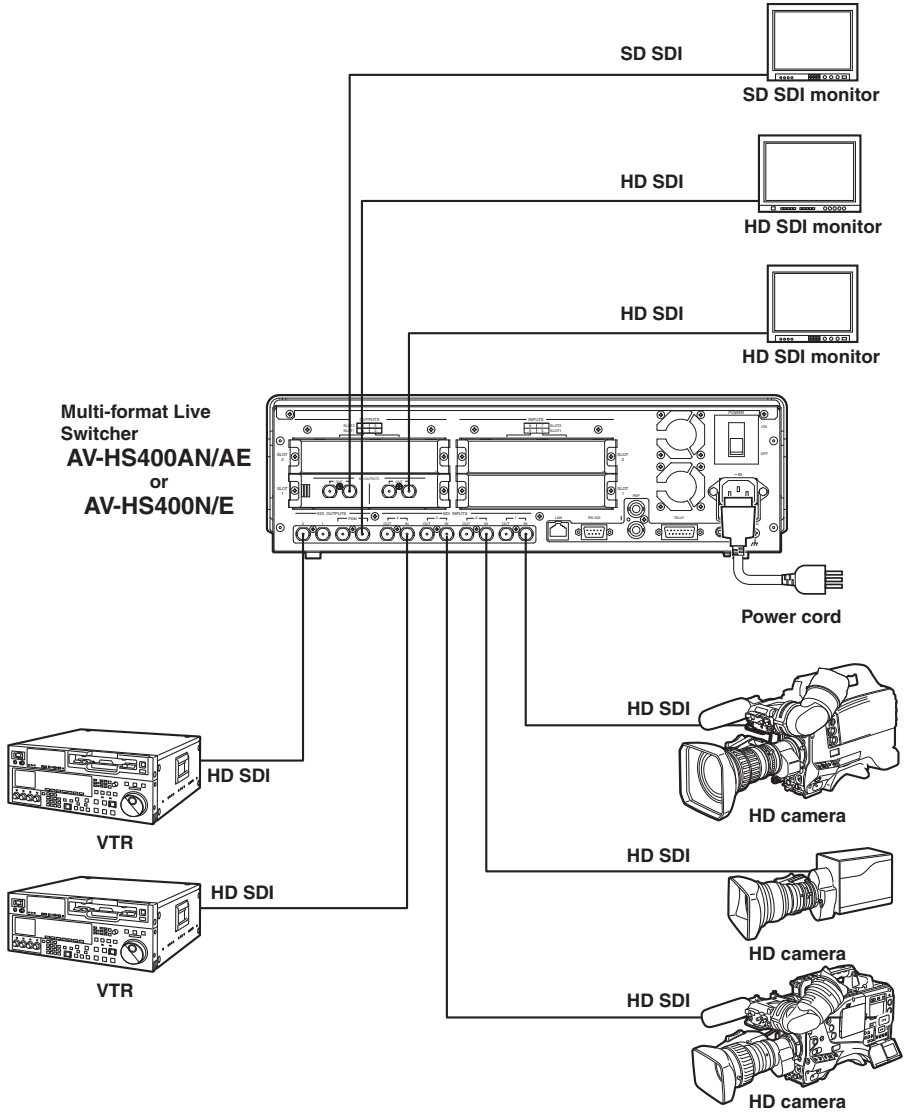
Removal procedure

Remove this board by following the procedures for mounting it in reverse.

- When attaching the blank panel, position the panel so that the part with the protrusion is facing down, and then attach it.

Connections

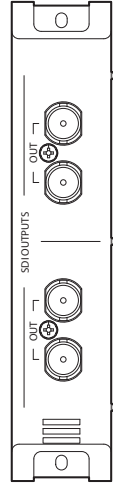
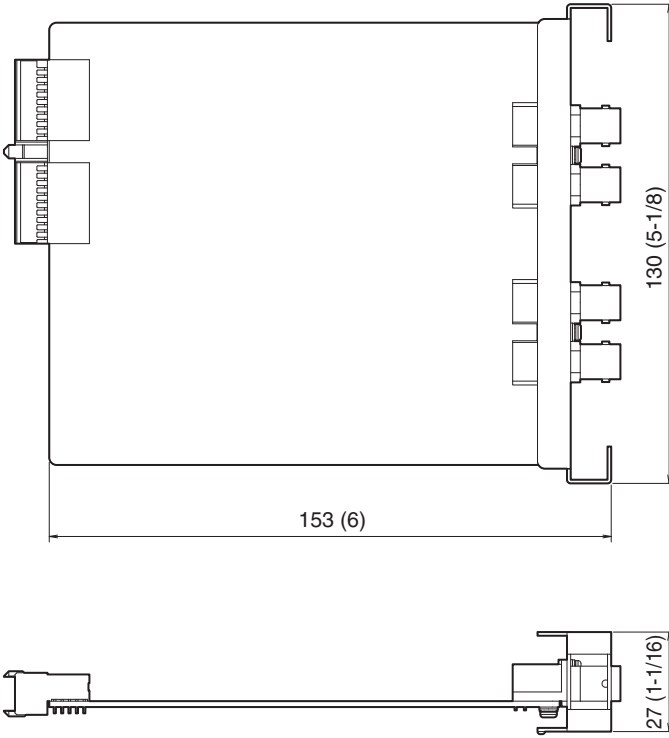
Connections when not implementing gen-lock (frame synchronizer ON)



- Make the connection with this board while the power is off.
- For details on connecting individual devices, refer to the respective operating instructions.
- For details on operating individual devices, refer to the respective operating instructions.

Appearance

Unit: mm (inch)



ENGLISH

Specifications

Signal formats	HD: 1080/59.94i, 1080/50i, 720/59.94p, 720/50p SD: 480/59.94i, 576/50i	
SDI outputs	HD [SMPTE 292M (BTA S-004B) standard complied with] <ul style="list-style-type: none"> • Output return loss More than 15 dB (5 MHz to 750 MHz) More than 10 dB (750 MHz to 1.5 GHz) • Output level 0.8 V [p-p] ±10 % (75 Ω) • Rise time Less than 270 ps • Fall time Less than 270 ps • Difference between rise time and fall time Less than 100 ps • Alignment jitter Less than 0.2 UI (130 ps) • Timing jitter Less than 1.0 UI • Eye aperture ratio More than 90 % • DC offset 0 ±0.5 V 	
	SD [SMPTE 259M standard complied with] <ul style="list-style-type: none"> • Output return loss More than 15 dB (5 MHz to 270 MHz) • Output level 0.8 V [p-p] ±10 % (75 Ω) • Rise time Less than 1.5 ns • Fall time Less than 1.5 ns • Difference between rise time and fall time Less than 0.5 ns • Jitter Less than 0.2 UI 	
	BNC connector, 2 lines ×2	
Ambient operating temperature	0 °C to 40 °C (32 °F to 104 °F)	
Humidity	10 % to 90 % (no condensation)	
Power supply	DC 12 V, 6 V Supplied from the AV-HS400AN/AE (or AV-HS400N/E)	
	Power consumption	8 W
Dimensions (W×H×D)	130×27×153 mm (5-1/8"×1-1/16"×6")	
Weight	Approx. 210 g (Approx. 0.462 lbs.)	

DEUTSCHE AUSGABE

(GERMAN VERSION)

Sicherheitshinweise



CAUTION
RISK OF ELECTRIC SHOCK
DO NOT OPEN



VORSICHT: WEDER DECKEL NOCH RÜCKPLATTE ABNEHMEN, UM DIE GEFAHR EINES ELEKTRISCHEN SCHLAGS ZU VERMEIDEN.
DAS GERÄT ENTHÄLT KEINE BAUTEILE, DIE VOM KUNDEN GEWARTET WERDEN KÖNNEN.
WARTUNGEN DÜRFEN NUR VON AUTORISIERTEM PERSONAL DURCHFÜHRT WERDEN.



Das Blitzzeichen mit Pfeil im gleichseitigen Dreieck soll den Benutzer auf das Vorhandensein von nichtisolierter „gefährlicher Spannung“ innerhalb des Gehäuses hinweisen, die so groß sein kann, daß sie Gefahr eines elektrischen Schlags darstellt.



Das Ausrufezeichen im gleichseitigen Dreieck soll den Benutzer auf wichtige Bedienungs- und Wartungsanweisungen in den Unterlagen hinweisen, die dem Gerät beiliegen.

WARNUNG:

- UM BRAND- ODER STROMSCHLAGGEFAHR ZU REDUZIEREN, DARF DIESES GERÄT WEDER REGEN NOCH NÄSSE AUSGESETZT WERDEN.
- SETZEN SIE DAS GERÄT KEINEM TROPF- ODER SPRITZWASSER AUS, UND STELLEN SIE KEINE MIT FLÜSSIGKEITEN GEFÜLLTE GEGENSTÄNDE, WIE Z.B. VASEN, AUF DAS GERÄT.

VORSICHT:

NUR DAS EMPFOHLENE ZUBEHÖR VERWENDEN, UM DIE GEFAHR VON FEUER UND ELEKTRISCHEM SCHLAG SOWIE STÖRUNGEN AUSZUSCHALTEN.

VORSICHT:

UM DIE GEFAHR VON FEUER UND ELEKTRISCHEM SCHLAG AUSZUSCHALTEN, SIND ÄNDERUNGEN VON SCHALTEREINSTELLUNGEN IM GERÄTEINNEREN AUSSCHLIESSLICH AUTORISIERTEM KUNDENDIENST-PERSONAL ZU ÜBERLASSEN.

 ist die Sicherheitsinformation.

Sicherheitshinweise

Benutzerinformationen zur Entsorgung von elektrischen und elektronischen Geräten (private Haushalte)



Dieses Symbol auf Produkten und/oder begleitenden Dokumenten bedeutet, dass verbrauchte elektrische und elektronische Produkte nicht mit gewöhnlichem Haushaltsabfall vermischt werden sollen. Bringen Sie zur ordnungsgemäßen Behandlung, Rückgewinnung und Recycling diese Produkte zu den entsprechenden Sammelstellen, wo sie ohne Gebühren entgegengenommen werden. In einigen Ländern kann es auch möglich

sein, diese Produkte beim Kauf eines entsprechenden neuen Produkts bei Ihrem örtlichen Einzelhändler abzugeben.

Die ordnungsgemäße Entsorgung dieses Produkts dient dem Umweltschutz und verhindert mögliche schädliche Auswirkungen auf Mensch und Umgebung, die aus einer unsachgemäßen Handhabung von Abfall entstehen können.

Genauere Informationen zur nächstgelegenen Sammelstelle erhalten Sie bei Ihrer Gemeindeverwaltung.

In Übereinstimmung mit der Landesgesetzgebung können für die unsachgemäße Entsorgung dieser Art von Abfall Strafgeldern erhoben werden.

Für Geschäftskunden in der Europäischen Union

Bitte treten Sie mit Ihrem Händler oder Lieferanten in Kontakt, wenn Sie elektrische und elektronische Geräte entsorgen möchten. Er hält weitere Informationen für sie bereit.

Informationen zur Entsorgung in anderen Ländern außerhalb der Europäischen Union

Dieses Symbol ist nur in der Europäischen Union gültig.

Bitte treten Sie mit Ihrer Gemeindeverwaltung oder Ihrem Händler in Kontakt, wenn Sie dieses Produkt entsorgen möchten, und fragen Sie nach einer Entsorgungsmöglichkeit.

Name und Adresse des Importeurs gemäß EU-Bestimmungen:

Panasonic Testing Centre

Panasonic Marketing Europe GmbH

Winsbergring 15, 22525 Hamburg, Deutschland

Inhalt

Sicherheitshinweise	1	Einbau	8
Einleitung	3	Anschlüsse	11
Zubehör	3	Aussehen	12
Vorsichtsmaßnahmen zum Gebrauch	4	Technische daten	13
Bezeichnung der Teile	5		

Einleitung

Wenn diese Karte in den Multi-Format-Live-Mischer AV-HS400AE (oder AV-HS400E) installiert wird, können zwei SDI-Ausgangsleitungen unterstützt werden. Eine Abwärtswandler-Funktion ist ebenfalls in jede der beiden SDI-Ausgangsleitungen eingebaut, um Signale des HD-Formats in Signale des SD-Formats umzuwandeln.

Zubehör

Bedienungsanleitung	1
---------------------------	---

Vorsichtsmaßnahmen zum Gebrauch

- **Vorsichtig handhaben.**

Das Produkt nicht fallen lassen oder starken Stößen bzw.

- **Benutzen Sie das Produkt bei einer Umgebungstemperatur von 0 °C bis 40 °C.**

Vermeiden Sie eine Verwendung dieses Produkts an einem sehr kalten (unter 0 °C) oder sehr warmen (über 40 °C) Ort, da extrem niedrige oder hohe Temperaturen die internen Teile negativ beeinflussen.

- **Stromversorgung ausschalten, bevor Kabel angeschlossen oder abgetrennt werden.**

Vor dem Anstecken oder Abziehen der Kabel, unbedingt die Stromversorgung ausschalten.

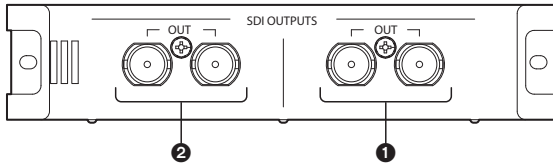
- **Feuchtigkeit und Staub vermeiden.**

Vermeiden Sie die Verwendung dieses Produkts an einem feuchten oder staubigen Ort, da übermäßige Feuchtigkeit oder Staub zu einer Beschädigung der internen Teile führen kann.

- **Wenn das Produkt ausrangiert werden soll**

Wenn das Produkt am Ende seiner Lebensdauer ausrangiert werden soll, beauftragen Sie einen Fachbetrieb mit seiner sachgerechten Entsorgung, um die Umwelt zu schützen.

Bezeichnung der Teile



❶ SDI-Ausgangsbuchsen [SDI OUTPUTS]

Bei Anschluss an den Optionsausgang SLOT1: OUTPUT3

Bei Anschluss an den Optionsausgang SLOT2: OUTPUT5

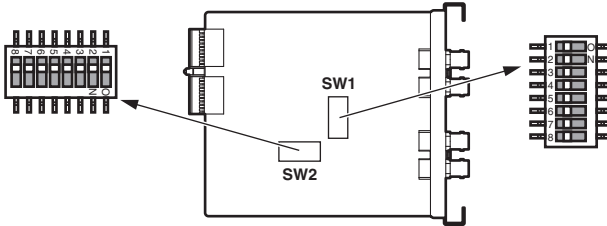
❷ SDI-Ausgangsbuchsen [SDI OUTPUTS]

Bei Anschluss an den Optionsausgang SLOT1: OUTPUT4

Bei Anschluss an den Optionsausgang SLOT2: OUTPUT6

Bezeichnung der Teile

③ Einstellschalter



<Tabelle der Einstellschalter>

SW1

Schalter-Nr.		Off	On	Werkseinstellung
1	Reserviert	—	—	Off
2		—	—	Off
3		—	—	Off
4	Bildschirmposition	4: Off, 5: Off Mitte		Off
5		4: On, 5: Off Rechts		
	Gamut-Begrenzer	4: Off, 5: On Links		Off
		4: On, 5: On Mitte		
6	Gamut-Begrenzer	6: Off, 7: Off Off		Off
		6: On, 7: Off 108 %		
7		6: Off, 7: On 104 %		
	Farbmatrix-Umwandlung	6: On, 7: On 100 %		Off
8		Umwandlung	Keine Umwandlung (Durchgang)	

Reserve:

In der Position OFF (Werksvorgabe) verwenden.

Einstellung der Bildschirmposition:

Wählen Sie zwischen Mitte, rechts und links für die Bildschirmposition im Modus EC (Edge Crop = Kantenbeschnitt).

Einstellung des Gamut-Begrenzers:

Damit legen Sie fest, ob das ankommende Bildsignal auf einen Pegel von 100 %, 104 % oder 108 % (Schwarz bei 0 %) im RGB-Bereich begrenzt wird oder nicht (OFF).

Farbmatrix-Umwandlung:

Damit legen Sie fest, ob eine Farbumwandlung von ITU-R BT.709 Bildsignalen auf ITU-R BT.601 Bildsignale erfolgt oder nicht.

Bezeichnung der Teile

SW2

	Schalter-Nr.	Off	On	Werkseinstellung
1	Reserviert	—	—	Off
2	Reserviert	—	—	Off
3	Reserviert	—	—	Off
4	Reserviert	—	—	Off
5	Reserviert	—	—	Off
6	Reserviert	—	—	Off
7	Reserviert	—	—	Off
8	Reserviert	—	—	Off

Stellen Sie die Schalter Nr. 1 bis 8 auf die Position „off“ (Werkseinstellung).

Einbau

Installieren Sie diese Karte in das Multi Format Live Mischer AV-HS400AE (oder AV-HS400E).

Hinweis:

Wenn diese Karte in das Modell AV-HS400E installiert wird, muss das System AV-HS400E auf Version 2.00.00 oder höher aktualisiert werden.

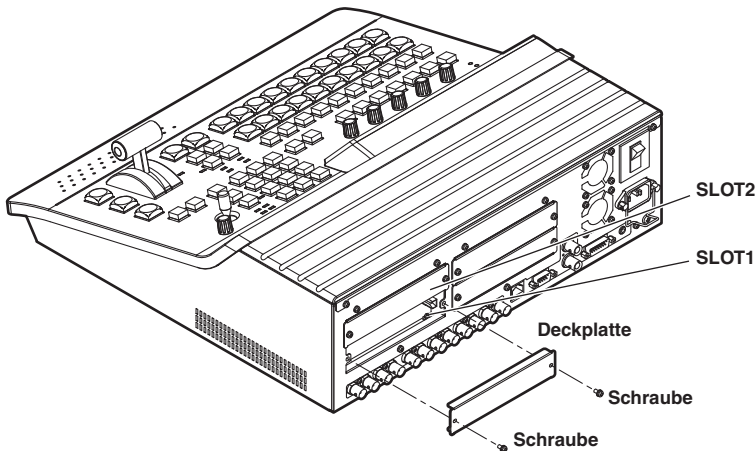
Wenden Sie sich bezüglich eines Updates der System-Version an Ihren Händler.

<Hinweise>

- Bitten Sie den Laden oder Händler, bei dem Sie das Produkt gekauft haben, um Hilfe beim Ein- und Ausbau.
- Schalten Sie das Gerät aus, und trennen Sie es von der Stromquelle, bevor Sie Karten ein- und ausbauen.
- Bevor Sie diese Karte anfassen, sollten Sie ein Metallteil des AV-HS400AE (oder AV-HS400E) berühren, um die statische Elektrizität von Ihrem Körper abzuleiten. Zur Sicherheit wird das Anlegen eines Antistatik-Armbands empfohlen. Ausfälle können verursacht werden, wenn Sie diese Karte berühren, ohne dass die statische Elektrizität abgeleitet worden ist.
- Achten Sie vor der Installation dieser Karte darauf, dass die Metallteile der Karte nicht mit anderen Metallteilen in Berührung kommen.
- Bringen Sie unbedingt die Deckplatte am AV-HS400AE (oder AV-HS400E) an, nachdem Sie diese Karte ausgebaut haben.
- Achten Sie beim Ein- oder Ausbauen dieser Karte darauf, dass Sie sich nicht an den Kanten und Metallteilen der Karte verletzen.

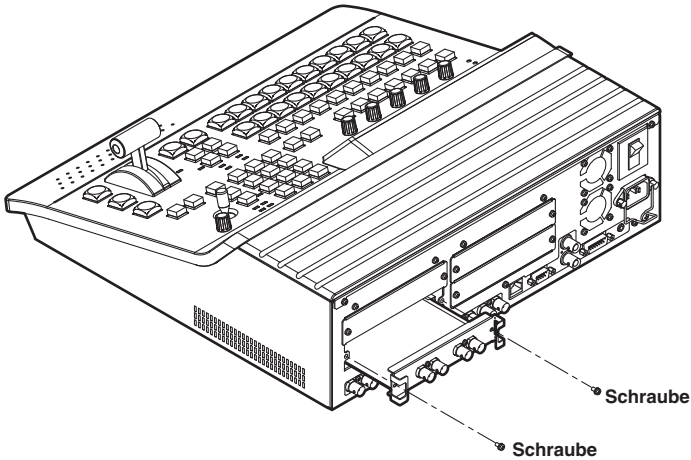
① Schalten Sie das AV-HS400AE (oder AV-HS400E) aus, und ziehen Sie das Netzkabel ab.

② Lösen Sie die zwei Schrauben von SLOT1 oder SLOT2 auf der Ausgangsseite an der Rückwand des AV-HS400AE (oder AV-HS400E), und entfernen Sie die Deckplatte.



Einbau

- ③ Richten Sie die Karte auf die Führungsschienen aus, und schieben Sie sie vorsichtig ein.
Schieben Sie die Karte bis zum Anschlag ein. Wenden Sie beim Einschieben der Karte keine Gewalt an, weil sonst die Steckverbinder beschädigt werden können.
- ④ Befestigen Sie die Karte mit den zwei Schrauben.



- ⑤ Stellen Sie die Stromzufuhr durch Anschließen des Netzkabels und Einschalten des Gerätes erst her, nachdem Sie die notwendigen Kabel angeschlossen haben.

Einbau

Überprüfen der Karte auf korrekten Einbau

Schalten Sie das AV-HS400AE (oder AV-HS400E) ein, und prüfen Sie anhand des Menüs für die Anzeige des Zustands der Zusatzkarten, ob die Karte korrekt installiert worden ist.

① Drücken Sie die Taste [FUNC], so dass ihre Lampe aufleuchtet, und drücken Sie dann die Taste [SYSTEM], um das Menü „SYSTEM“ aufzurufen.

② Drehen Sie [F1], um das Untermenü „OptVer“ aufzurufen.

<Menüanzeige>

OptVer	Select	Board	Version
16/16	OUT-SL1	SDI	*****

③ Drehen Sie [F2], um den Optionssteckplatz (OUT-SL1 oder OUT-SL2) mit dem Posten „Select“ auszuwählen.

Wenn die Karte korrekt installiert worden ist, erscheint „SDI“ am Posten „Board“. Ist die Karte nicht korrekt installiert worden, erscheint „None“ am Posten „Board“.
--

Einzelheiten zu den Ausgangssignal-Einstellungen und Bedienungsverfahren entnehmen Sie bitte der Bedienungsanleitung auf der CD-ROM des AV-HS400AE.

- 4-4. Einstellen der Ausgangssignale
- 4-11. Einstellen des Abwärtswandlers

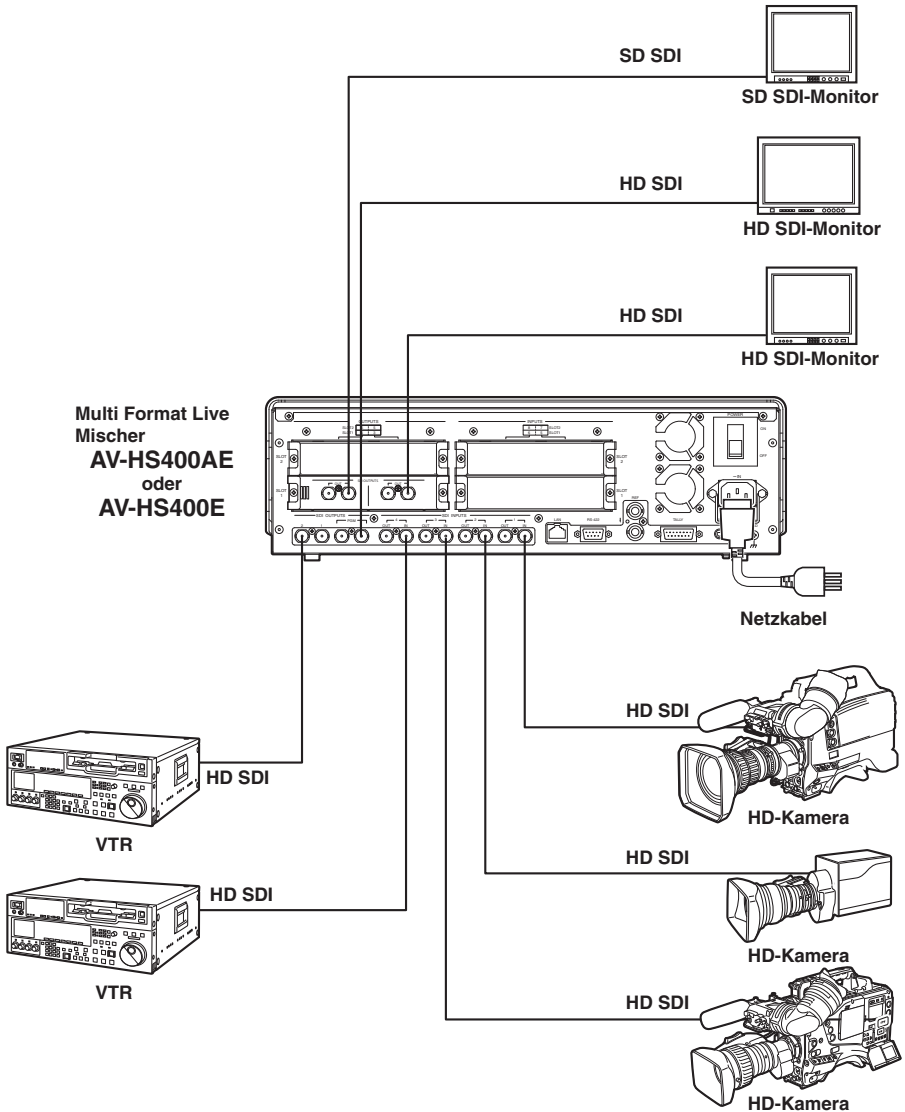
Ausbauverfahren

Entfernen Sie diese Karte, indem Sie das Einbauverfahren umgekehrt anwenden.

- Bringen Sie die Deckplatte so an, dass der Teil mit dem Vorsprung unten liegt, und befestigen Sie die Deckplatte.

Anschlüsse

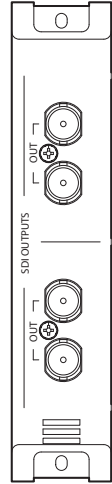
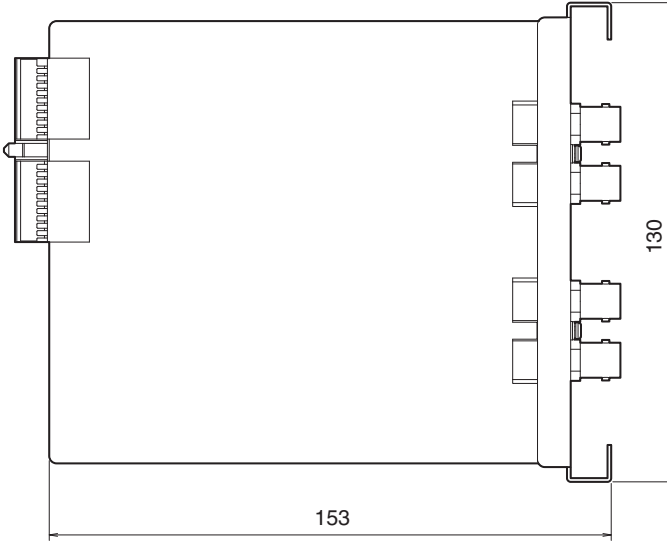
Anschlüsse ohne Durchführung von Genlock (Frame Synchronizer EIN)



- Stellen Sie die Verbindung mit der Karte bei ausgeschalteter Stromversorgung her.
- Einzelheiten zum Anschluss der einzelnen Geräte entnehmen Sie bitte der jeweiligen Bedienungsanleitung.
- Einzelheiten zur Bedienung der einzelnen Geräte entnehmen Sie bitte der jeweiligen Bedienungsanleitung.

Aussehen

Einheit: mm



DEUTSCH

Technische daten

Signalformate	HD: 1080/59.94i, 1080/50i, 720/59.94p, 720/50p SD: 480/59.94i, 576/50i	
SDI-Ausgänge	HD [entspricht dem Standard SMPTE 292M (BTA S-004B)]	
	<ul style="list-style-type: none"> • Ausgangsrückflusdämpfung Mehr als 15 dB (5 MHz bis 750 MHz) Mehr als 10 dB (750 MHz bis 1,5 GHz) • Ausgangspegel 0,8 V [s-s] $\pm 10\%$ (75 Ω) • Anstiegszeit Weniger als 270 ps • Abfallzeit Weniger als 270 ps • Differenz zwischen Anstiegs- und Abfallzeit Weniger als 100 ps • Relativer Jitter Weniger als 0,2 UI (130 ps) • Timing Jitter Weniger als 1,0 UI • Augenöffnungsverhältnis Mehr als 90 % • DC-Versatz 0 $\pm 0,5$ V 	
	SD [entspricht dem Standard SMPTE 259M]	
	<ul style="list-style-type: none"> • Ausgangsrückflusdämpfung Mehr als 15 dB (5 MHz bis 270 MHz) • Ausgangspegel 0,8 V [s-s] $\pm 10\%$ (75 Ω) • Anstiegszeit Weniger als 1,5 ns • Abfallzeit Weniger als 1,5 ns • Differenz zwischen Anstiegs- und Abfallzeit Weniger als 0,5 ns • Jitter Weniger als 0,2 UI 	
	BNC-Buchse, 2 Leitungen $\times 2$	
Betriebstemperatur	0 °C bis 40 °C	
Zul. Luftfeuchtigkeit	10 % bis 90 % (Keine Kondensation)	
Stromversorgung	Gleichstrom 12 V, 6 V Versorgung über AV-HS400AE (oder AV-HS400E)	
	Leistungsaufnahme	8 W
Abmessungen (B×H×T)	130×27×153 mm	
Gewicht	ca. 210 g	

VERSION FRANÇAISE

(FRENCH VERSION)

Consignes de sécurité



CAUTION
RISK OF ELECTRIC SHOCK
DO NOT OPEN



ATTENTION: POUR ÉVITER TOUT RISQUE D'ÉLECTROCUTION, LE COUVERCLE (OU LE PANNEAU ARRIÈRE) NE DOIT JAMAIS ÊTRE DÉMONTÉ.
AUCUNE PIÈCE DESTINÉE À L'UTILISATEUR NE SE TROUVE À L'INTÉRIEUR DE L'APPAREIL.
CONFIER LES RÉGLAGES ET LES RÉPARATIONS À UN DÉPAN-NEUR PROFESSIONNEL.



L'éclair à extrémité fléchée placé dans un triangle équilatéral est destiné à attirer l'attention de l'utilisateur sur la présence d'une "tension potentiellement dangereuse" et non isolée se trouvant dans les limites du coffret de l'appareil dont la puissance est suffisante pour constituer un risque important d'électrocution.



Le point d'exclamation placé dans un triangle équilatéral sert à attirer l'attention de l'utilisateur sur des instructions de fonctionnement et d'entretien (de dépannage) à caractère important dans la brochure qui accompagne l'appareil.

AVERTISSEMENT:

- POUR RÉDUIRE LES RISQUES D'INCENDIE OU D'ÉLECTROCUTION, NE PAS EXPOSER CET APPAREIL À LA PLUIE OU À L'HUMIDITÉ.
- CET APPAREIL NE DOIT PAS ÊTRE EXPOSÉ À DES SUINTEMENTS OU DES ÉCLABOUSSURES, ET AUCUN OBJET REMPLI DE LIQUIDE, COMME UN VASE, NE DOIT ÊTRE POSÉ DESSUS.

ATTENTION:

POUR ÉVITER TOUT RISQUE D'INCENDIE, DE CHOCS ÉLECTRIQUES OU D'INTERFÉRENCES, N'UTILISER QUE LES ACCESSOIRES RECOMMANDÉS.

ATTENTION:

POUR ÉVITER TOUT RISQUE DE FEU OU DE CHOC ÉLECTRIQUE, CONFIER LE RÉGLAGE DU COMMUTATEUR À L'INTÉRIEUR DE L'APPAREIL À UN PERSONNEL D'ENTRETIEN QUALIFIÉ.

 Informations concernant la sécurité.

Consignes de sécurité

Informations relatives à l'évacuation des déchets, destinées aux utilisateurs d'appareils électriques et électroniques (appareils ménagers domestiques)



Lorsque ce symbole figure sur les produits et/ou les documents qui les accompagnent, cela signifie que les appareils électriques et électroniques ne doivent pas être jetés avec les ordures ménagères.

Pour que ces produits subissent un traitement, une récupération et un recyclage appropriés, envoyez-les dans les points de pré-collecte désignés, où ils peuvent être déposés gratuitement. Dans certains pays, il est possible de renvoyer les produits au revendeur local en cas d'achat d'un produit équivalent.

En éliminant correctement ce produit, vous contribuez à la conservation des ressources vitales et à la prévention des éventuels effets négatifs sur l'environnement et la santé humaine, pouvant être dus à la manipulation inappropriée des déchets.

Veuillez contacter les autorités locales pour connaître le point de pré-collecte le plus proche. Des sanctions peuvent être appliquées en cas d'élimination incorrecte de ces déchets, conformément à la législation nationale.

Utilisateurs professionnels de l'Union européenne

Pour en savoir plus sur l'élimination des appareils électriques et électroniques, contactez votre revendeur ou fournisseur.

Informations sur l'évacuation des déchets dans les pays ne faisant pas partie de l'Union européenne

Ce symbole n'est reconnu que dans l'Union européenne.

Pour supprimer ce produit, contactez les autorités locales ou votre revendeur afin de connaître la procédure d'élimination à suivre.

Nom et adresse de l'importateur en accord avec les règlements de l'Union Européenne :
Panasonic Testing Centre
Panasonic Marketing Europe GmbH
Winsbergring 15, 22525 Hamburg, Allemagne

Table des matières

Consignes de sécurité	1	Installation	8
Introduction	3	Raccordements	11
Accessoire	3	Aspect extérieur	12
Précautions d'utilisation	4	Fiche technique	13
Nomenclature	5		

Introduction

Cette carte, quand elle est installée dans le mélangeur compact multi-formats AV-HS400AE (ou AV-HS400E), permet d'accepter deux lignes de sortie SDI.

Une fonction de convertisseur vers le bas est également intégrée dans chacune des deux lignes de sortie SDI pour convertir des signaux au format SD en signaux au format HD.

Accessoire

Mode d'emploi	1
---------------------	---

Précautions d'utilisation

- **Manipuler délicatement.**

Ne jamais faire tomber l'appareil ni lui subir des chocs violents ou le soumettre à des vibrations.

- **L'appareil doit être utilisée à une température ambiante située entre 0 °C et 40 °C.**

Éviter la mise en service de l'appareil dans un local à basse température et notamment inférieure à 0 °C ou un endroit à haute température, température supérieure à 40 °C, parce que les températures extrêmes, haute et basse, ont un effet nocif sur les organes internes de l'appareil.

- **Couper l'alimentation avant de faire de brancher ou de débrancher les câbles.**

Ne pas oublier de couper l'alimentation avant de brancher ou de débrancher les câble.

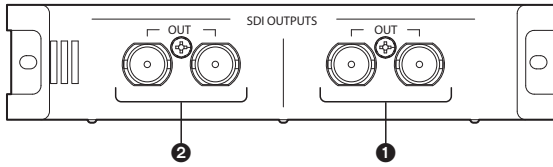
- **Éviter l'humidité et la poussière.**

Éviter de mettre l'appareil en service dans un local humide ou poussiéreux parce que l'humidité et la poussière finissent par endommager les organes internes.

- **Mise au rebut du produit**

Quand le produit atteint la fin de sa durée de vie, veuillez vous adresser à une entreprise spécialisée qui pourra le mettre au rebut correctement en protégeant l'environnement.

Nomenclature



❶ Connecteurs de sortie SDI [SDI OUTPUTS]

Quand la carte est raccordée au connecteur de sortie optionnelle SLOT1: OUTPUT3

Quand la carte est raccordée au connecteur de sortie optionnelle SLOT2: OUTPUT5

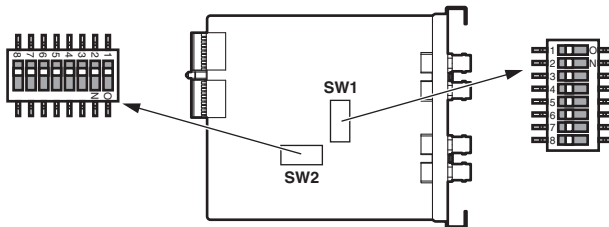
❷ Connecteurs de sortie SDI [SDI OUTPUTS]

Quand la carte est raccordée au connecteur de sortie optionnelle SLOT1: OUTPUT4

Quand la carte est raccordée au connecteur de sortie optionnelle SLOT2: OUTPUT6

Nomenclature

③ Commutateurs de réglage



<Tableau des commutateurs de réglage>

SW1

N° du commutateur	Off	On	Réglage usine
1	—	—	Off
2	—	—	Off
3	—	—	Off
4	4: Off, 5: Off Centre		Off
5	4: On, 5: Off Droite		
	4: Off, 5: On Gauche		
	4: On, 5: On Centre		Off
6	6: Off, 7: Off Désactivé		Off
7	6: On, 7: Off 108 %		
	6: Off, 7: On 104 %		
	6: On, 7: On 100 %		Off
8	Conversion	Pas de conversion (direct)	Off

FRANÇAIS

Réservé:

Utiliser dans la position Off (défaut usine).

Réglage de la position de l'écran:

Choisir entre centre, droite et gauche pour positionner l'écran en mode EC (Edge Crop).

Réglage du limiteur de gamme:

Choisir de limiter le signal d'image entrant au niveau 100 %, 104 % ou 108 % (noir à 0 %) dans la plage RVB ou de ne poser aucune limite (désactivé).

Conversion de matrice couleur:

Choisir d'effectuer ou non une conversion de couleur des signaux d'image ITU-R BT.709 en signaux d'image ITU-R BT.601.

Nomenclature

SW2

N° du commutateur		Off	On	Réglage usine
1	Réservé	—	—	Off
2	Réservé	—	—	Off
3	Réservé	—	—	Off
4	Réservé	—	—	Off
5	Réservé	—	—	Off
6	Réservé	—	—	Off
7	Réservé	—	—	Off
8	Réservé	—	—	Off

Utiliser les commutateurs n° 1 à 8 sur la position "off" (réglage usine).

Installation

Installer cette carte dans le mélangeur compact multi-formats AV-HS400AE (ou AV-HS400E).

Remarque:

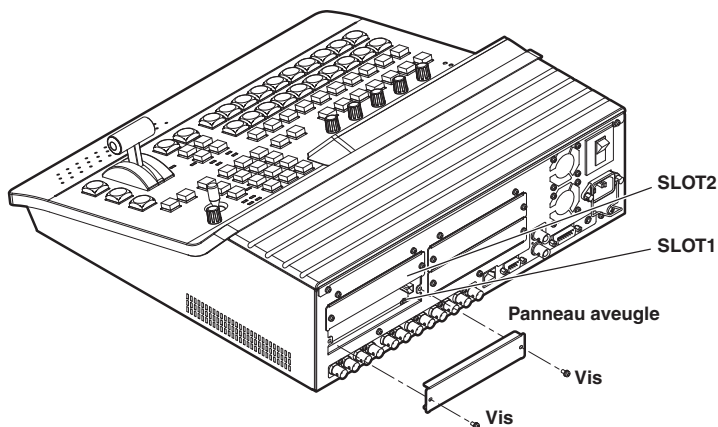
Quand cette carte est installée dans l'AV-HS400E, le système de l'AV-HS400E doit être actualisé à la version 2.00.00 ou supérieure.

Se renseigner auprès du revendeur en ce qui concerne la mise à jour de la version du système.

<Remarques>

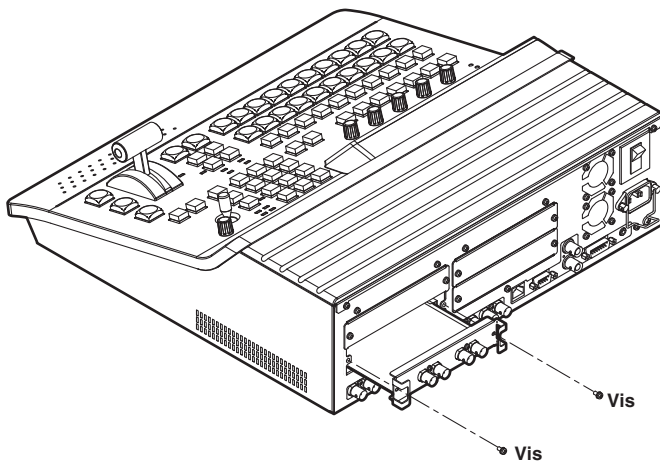
- Lors du montage ou de la dépose, veuillez vous faire aider par le magasin ou le revendeur chez qui vous avez acheté ce produit.
- L'interrupteur d'alimentation doit être positionné sur OFF avant le montage et la dépose.
- Avant de manipuler cette carte, touchez une partie métallique de l'AV-HS400AE (ou l'AV-HS400E) afin de décharger l'électricité statique de votre corps. Par sécurité, nous vous recommandons de porter un bracelet anti-statique. La carte risque d'être endommagée si vous la touchez alors que vous êtes chargé d'électricité statique.
- Avant l'installation de la carte, les pièces métalliques de cette carte ne doivent pas entrer en contact avec d'autres pièces métalliques.
- Après la dépose de cette carte, prenez soin de remonter le panneau aveugle qui était installé sur l'AV-HS400AE (ou l'AV-HS400E).
- Pendant l'installation ou la dépose de cette carte, faites attention à ne pas vous blesser sur les bords et les pièces métalliques de la carte.

- ① Mettre l'AV-HS400AE (ou l'AV-HS400E) hors tension et débrancher le cordon d'alimentation.
- ② Desserrer les deux vis de SLOT1 ou SLOT2 sur le côté sorties à l'arrière de l'AV-HS400AE (ou l'AV-HS400E), et déposer le panneau aveugle.



Installation

- ③ Aligner la carte avec les glissières et l'insérer doucement.
Insérer la carte à fond. Faire attention à ne pas forcer lors de l'insertion de la carte car cela risquerait d'endommager les connecteurs.
- ④ Fixer la carte à l'aide des deux vis.



- ⑤ Après avoir raccordé les câbles nécessaires, brancher le cordon d'alimentation et mettre l'appareil sous tension.

Installation

Vérification de l'installation correcte de la carte

Mettre l'AV-HS400AE (ou l'AV-HS400E) sous tension. Utiliser le menu pour afficher les états des cartes optionnelles et vérifier que la carte a été montée correctement.

- ① Appuyer sur la touche [FUNC] de manière à allumer son témoin, puis appuyer sur la touche [SYSTEM] pour afficher le menu SYSTEM.
- ② Tourner [F1] pour afficher le menu secondaire OptVer.

<Affichage du menu>

OptVer	Select	Board	Version
16/16	OUT-SL1	SDI	***

- ③ Tourner [F2] à l'option Select pour sélectionner la fente optionnelle (OUT-SL1 ou OUT-SL2).

Si la carte a été montée correctement, "SDI" apparaît à l'option Board. Si la carte n'a pas été montée correctement, "None" apparaît à l'option Board.

Pour en savoir plus sur les réglages des signaux de sortie et les modes de fonctionnement, se reporter au mode d'emploi sur CD-ROM de l'AV-HS400AE.

- 4-4. Sélection des signaux de sortie
- 4-11. Réglage du convertisseur vers le bas

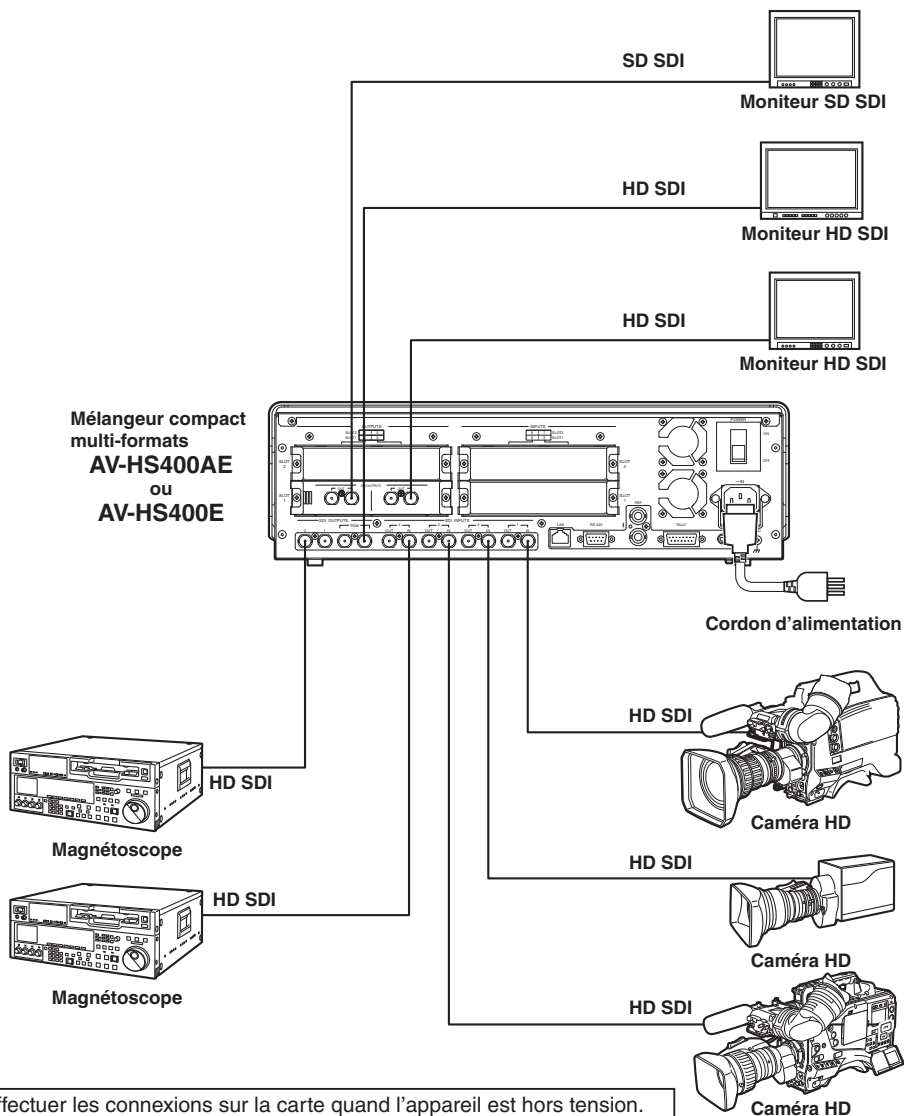
Procédure de dépose

Déposer cette carte en suivant la procédure de montage à l'envers.

- Lors de la mise en place du panneau aveugle, positionner le panneau de manière que la partie saillante soit tournée vers le bas, puis fixer le panneau.

Raccordements

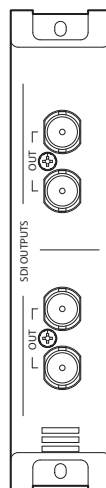
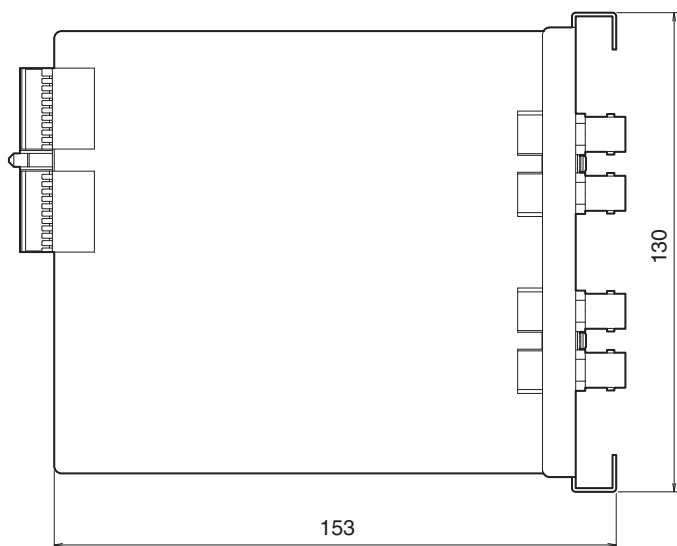
Connexions avec le gen-lock hors service (synchroniseur d'image en service)



- Effectuer les connexions sur la carte quand l'appareil est hors tension.
- Pour en savoir plus sur la manière de raccorder chaque dispositif individuel, se reporter au mode d'emploi correspondant.
- Pour en savoir plus sur le fonctionnement de chaque dispositif individuel, se reporter au mode d'emploi correspondant.

Aspect extérieur

Unité: mm



FRANÇAIS

Fiche technique

Formats de signal	HD: 1080/59.94i, 1080/50i, 720/59.94p, 720/50p SD: 480/59.94i, 576/50i	
Sorties SDI	HD [conforme à la norme SMPTE 292M (BTA S-004B)]	
	• Perte de retour de sortie	Supérieure à 15 dB (5 MHz à 750 MHz) Supérieure à 10 dB (750 MHz à 1,5 GHz)
	• Niveau de sortie	0,8 V [c-c] $\pm 10\%$ (75 Ω)
	• Temps de montée	Inférieure à 270 ps
	• Temps de descente	Inférieure à 270 ps
	• Différence entre le temps de montée et le temps de descente	Inférieure à 100 ps
	• Gigue d'alignement	Inférieure à 0,2 UI (130 ps)
	• Gigue de rythme	Inférieure à 1,0 UI
	• Rapport d'ouverture de l'œil	Supérieure à 90 %
	• Décalage en continu	0 $\pm 0,5$ V
	SD [conforme à la norme SMPTE 259M]	
	• Perte de retour de sortie	Supérieure à 15 dB (5 MHz à 270 MHz)
	• Niveau de sortie	0,8 V [c-c] $\pm 10\%$ (75 Ω)
	• Temps de montée	Inférieure à 1,5 ns
	• Temps de descente	Inférieure à 1,5 ns
	• Différence entre le temps de montée et le temps de descente	Inférieure à 0,5 ns
	• Gigue	Inférieure à 0,2 UI
	Connecteur BNC, 2 lignes $\times 2$	
Température de fonctionnement ambiante	0 °C à 40 °C	
Taux d'humidité en service	10 % à 90 % (Sans condensation)	
Alimentation	12 V c.c., 6 V c.c. Fournie depuis l'AV-HS400AE (ou l'AV-HS400E)	
	Consommation	8 W
Dimensions (L×H×P)	130×27×153 mm	
Poids	Environ 210 g	

VERSIONE ITALIANA

(ITALIAN VERSION)

Precauzioni per la sicurezza



CAUTION
RISK OF ELECTRIC SHOCK
DO NOT OPEN



AVVERTIMENTO: PER EVITARE IL PERICOLO DI SCOSSE NON TOGLIERE IL COPERCHIO (O LA PARTE POSTERIORE).

ALL'INTERNO NON CI SONO PARTI CHE RICHIEDONO L'INTERVENTO DELL'UTENTE.
PER QUALSIASI RIPARAZIONE RIVOLGERSI A PERSONALE TECNICO QUALIFICATO.



Il fulmine con punta a freccia all'interno del triangolo equilatero è inteso ad avvertire l'utente della presenza all'interno dell'apparecchio di una "tensione pericolosa" non isolata d'ampiezza sufficiente a costituire un pericolo di scossa elettrica.



Il punto esclamativo all'interno del triangolo equilatero è inteso ad avvertire l'utente della presenza di importanti istruzioni sull'uso e la manutenzione (servizio) nella pubblicazione che accompagna l'apparecchio.

AVVISO:

- PER RIDURRE IL RISCHIO DI INCENDI O SCOSSE ELETTRICHE, NON ESPORRE L'APPARECCHIO A PIOGGIA O UMIDITÀ.
- L'APPARECCHIO NON DEVE ESSERE ESPOSTO A GOCCE O SPRUZZI. NON APPOGGIARE OGGETTI CONTENENTI LIQUIDO (ES. BICCHIERI) SULL'APPARECCHIO.

PRECAUZIONE:

PER RIDURRE I PERICOLI D'INCENDIO O DI SCOSSE ELETTRICHE E DI FASTIDIOSE INTERFERENZE, USARE SOLTANTO GLI ACCESSORI RACCOMANDATI.

PRECAUZIONE:

PER RIDURRE I PERICOLI D'INCENDIO O DI SCOSSE ELETTRICHE, IL CAMBIAMENTO DELLA REGOLAZIONE DELL'INTERRUTTORE ALL'INTERNO DELL'APPARECCHIO DEVE ESSERE EFFETTUATO DA PERSONALE TECNICO QUALIFICATO.

 sono le informazioni sulla sicurezza.

Precauzioni per la sicurezza

Informazioni per gli utenti sullo smaltimento di apparecchiature elettriche ed elettroniche obsolete (per i nuclei familiari privati)



Questo simbolo sui prodotti e/o sulla documentazione di accompagnamento significa che i prodotti elettrici ed elettronici usati non devono essere mescolati con i rifiuti domestici generici.

Per un corretto trattamento, recupero e riciclaggio, portare questi prodotti ai punti di raccolta designati, dove verranno accettati gratuitamente. In alternativa, in alcune nazioni potrebbe essere possibile restituire i prodotti al rivenditore

locale, al momento dell'acquisto di un nuovo prodotto equivalente.

Uno smaltimento corretto di questo prodotto contribuirà a far risparmiare preziose risorse ed evitare potenziali effetti negativi sulla salute umana e sull'ambiente, che potrebbero derivare, altrimenti, da uno smaltimento inappropriato.

Per ulteriori dettagli, contattare la propria autorità locale o il punto di raccolta designato più vicino.

In caso di smaltimento errato di questo materiale di scarto, potrebbero venire applicate delle penali, in base alle leggi nazionali.

Per gli utenti aziendali nell'Unione Europea

Qualora si desideri smaltire apparecchiature elettriche ed elettroniche, contattare il rivenditore o il fornitore per ulteriori informazioni.

Informazioni sullo smaltimento in nazioni al di fuori dell'Unione Europea

Questo simbolo è valido solo nell'Unione Europea.

Qualora si desideri smaltire questo prodotto, contattare le autorità locali o il rivenditore e chiedere informazioni sul metodo corretto di smaltimento.

Nome e indirizzo dell'importatore in conformità con le normative UE:

Panasonic Testing Centre

Panasonic Marketing Europe GmbH

Winsbergring 15, 22525 Hamburg, Germania

Sommario

Precauzioni per la sicurezza	1	Montaggio	8
Introduzione	3	Collegamenti	11
Accessorio	3	Aspetto	12
Precauzioni per l'uso	4	Dati tecnici	13
Denominazione dei componenti ...	5		

Introduzione

Installando questa scheda nel switcher multi-formato AV-HS400AE (o AV-HS400E), è possibile supportare due linee di uscita SDI.

In ciascuna delle due linee uscita SDI è anche integrata la funzione down converter, per la conversione dei segnali di formato HD in segnali di formato SD.

Accessorio

Istruzioni per l'uso	1
----------------------------	---

Precauzioni per l'uso

- **Maneggiare con cura.**

Non far cadere l'unità ed evitare che subisca forti urti o vibrazioni.

- **Utilizzare l'unità a una temperatura ambiente di 0 °C – 40 °C.**

Evitare di usare l'unità in un luogo freddo, al di sotto dei 0 °C, o molto caldo, sopra i 40 °C, perché le temperature estremamente basse o alte hanno effetti negativi sulle parti interne.

- **Spegnere l'unità prima di collegare o di staccare i cavi.**

Prima di collegare o di staccare i cavi, spegnere sempre l'unità.

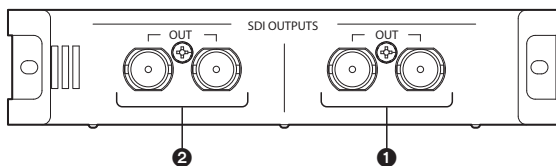
- **Evitare l'umidità e la polvere.**

Evitare di usare l'unità in un luogo umido o polveroso, perché l'umidità e la polvere potrebbero danneggiare le parti interne.

- **Smaltimento del prodotto**

Per disfarsi del prodotto al termine della sua vita utile, rivolgersi a un centro specializzato, in modo da smaltirlo correttamente e rispettare l'ambiente.

Denominazione dei componenti



❶ Connettori uscita SDI [SDI OUTPUTS]

Se collegata al connettore di uscita opzionale SLOT1: OUTPUT3

Se collegata al connettore di uscita opzionale SLOT2: OUTPUT5

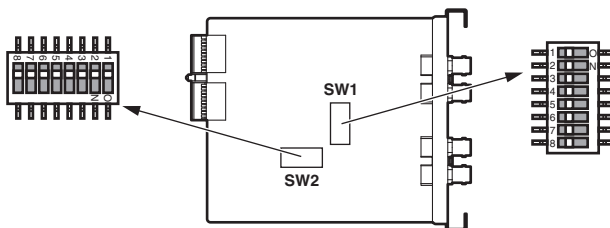
❷ Connettori uscita SDI [SDI OUTPUTS]

Se collegata al connettore di uscita opzionale SLOT1: OUTPUT4

Se collegata al connettore di uscita opzionale SLOT2: OUTPUT6

Denominazione dei componenti

3 Impostazione degli interruttori



<Tabella di impostazione degli interruttori>

SW1

Num. interruttore		Off	On	Impostazione di fabbrica
1	Riservato	—	—	Off
2		—	—	Off
3		—	—	Off
4	Posizione schermo	4: Off, 5: Off Centro		Off
5		4: On, 5: Off Destra		
	Limitatore gamut	4: Off, 5: On Sinistra		Off
7		4: On, 5: On Centro		
6	Limitatore gamut	6: Off, 7: Off Disattivato		Off
		6: On, 7: Off 108 %		
7		6: Off, 7: On 104 %		
	Conversione matrice colore	6: On, 7: On 100 %		Off
8		Conversione	Nessuna conversione (passante)	

ITALIANO

Riservato:

Utilizzare in posizione OFF (impostazione di fabbrica).

Impostazione posizione schermo:

Selezionare tra posizione schermo al centro, a destra o a sinistra in modalità EC (taglio bordi).

Impostazione limitatore gamut:

Scegliere se limitare il segnale di immagine in ingresso al 100 %, 104 % o 108 % (nero a 0 %) nella gamma RGB o non impostare un limite (disattivato).

Conversione matrice colore:

Scegliere se eseguire la conversione colore per i segnali immagine ITU-R BT.709 per convertirli in segnali immagine ITU-R BT.601.

Denominazione dei componenti

SW2

	Num. interruttore	Off	On	Impostazione di fabbrica
1	Riservato	—	—	Off
2	Riservato	—	—	Off
3	Riservato	—	—	Off
4	Riservato	—	—	Off
5	Riservato	—	—	Off
6	Riservato	—	—	Off
7	Riservato	—	—	Off
8	Riservato	—	—	Off

Utilizzare gli interruttori da 1 a 8 in posizione “off” (impostazione di fabbrica).

Montaggio

Installare questa scheda nel switcher multi-formato AV-HS400AE (o AV-HS400E).

Nota:

Se questa scheda viene installata sull'AV-HS400E, il sistema AV-HS400E deve essere aggiornato alla versione 2.00.00 o successiva.

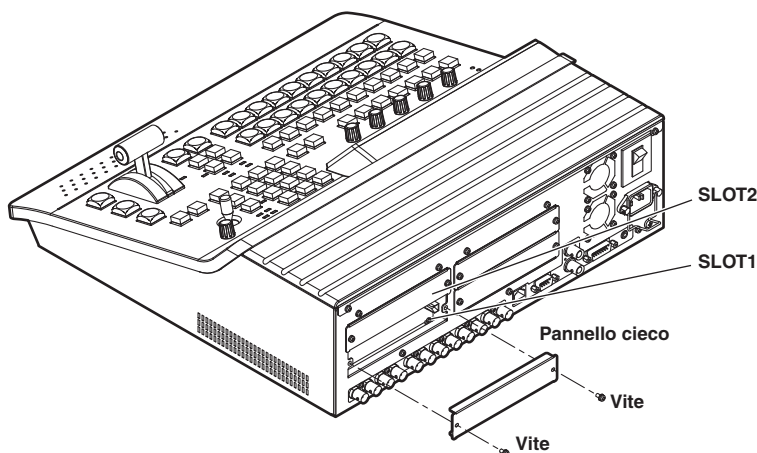
Per l'aggiornamento della versione del sistema, consultare il rivenditore.

<Note>

- Per assistenza sul montaggio e sulla rimozione, rivolgersi al negozio o al rivenditore dove è stato acquistato il prodotto.
- Prima del montaggio e della rimozione, spegnere l'unità e scollegare la spina elettrica.
- Prima di manipolare questa scheda, toccare una parte metallica sull'AV-HS400AE (o AV-HS400E) per scaricare l'elettricità statica del corpo umano. Per sicurezza, si consiglia una fascia da polso antistatica. Se questa scheda viene toccata mentre il corpo è ancora carico di elettricità statica, potrebbe danneggiarsi.
- Prima di installare questa scheda, evitare il contatto tra le parti metalliche di questa scheda e altre parti metalliche.
- Dopo aver rimosso questa scheda, montare il pannello cieco installato sull'AV-HS400AE (o AV-HS400E).
- Durante l'installazione o la rimozione di questa scheda, prestare attenzione a non ferirsi con le parti metalliche delle schede.

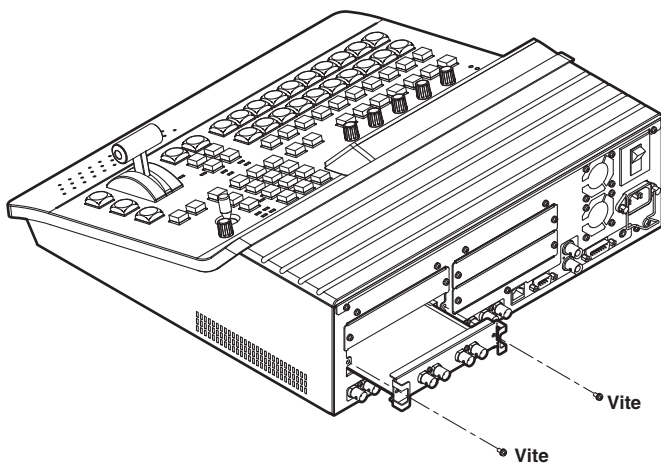
① Spegnere l'AV-HS400AE (o AV-HS400E) e scollegare il cavo di alimentazione.

② Allentare le due viti di SLOT1 o SLOT2 sul lato uscita del pannello posteriore dell'AV-HS400AE (o AV-HS400E) e rimuovere il pannello cieco.



Montaggio

- ③ Allineare la scheda con le rotaie guida e inserirla lentamente.
Inserirla fino in fondo. Non applicare una forza eccessiva per inserire la scheda.
In caso contrario, i connettori potrebbero danneggiarsi.
- ④ Fissare la scheda utilizzando le due viti.



- ⑤ Dopo aver collegato i cavi necessari, collegare il cavo di alimentazione e accendere l'unità.

Montaggio

Verifica del corretto montaggio della scheda

Per verificare che la scheda sia stata montata correttamente, accendere l'AV-HS400AE (o AV-HS400E) e utilizzare il menu di visualizzazione dello stato delle schede opzionali.

- ① Premere il tasto [FUNC] per accenderne l'indicatore, quindi premere il tasto [SYSTEM] per visualizzare il menu SYSTEM.
- ② Ruotare [F1] per visualizzare il sottomenu OptVer.

<Visualizzazione menu>

OptVer	Select	Board	Version
16/16	OUT-SL1	SDI	****

- ③ Ruotare [F2] per selezionare lo slot opzionale (OUT-SL1 o OUT-SL2) utilizzando la voce Select.

Se la scheda è stata montata correttamente, alla voce Board verrà visualizzato "SDI".
Se non è stata montata correttamente, alla voce Board verrà visualizzato "None".

Per informazioni sulle impostazioni dei segnali di uscita e sui metodi operativi, consultare le istruzioni per l'uso su CD-ROM dell' AV-HS400AE.

- 4-4. Configurazione dei segnali di uscita
- 4-11. Impostazione del down converter

ITALIANO

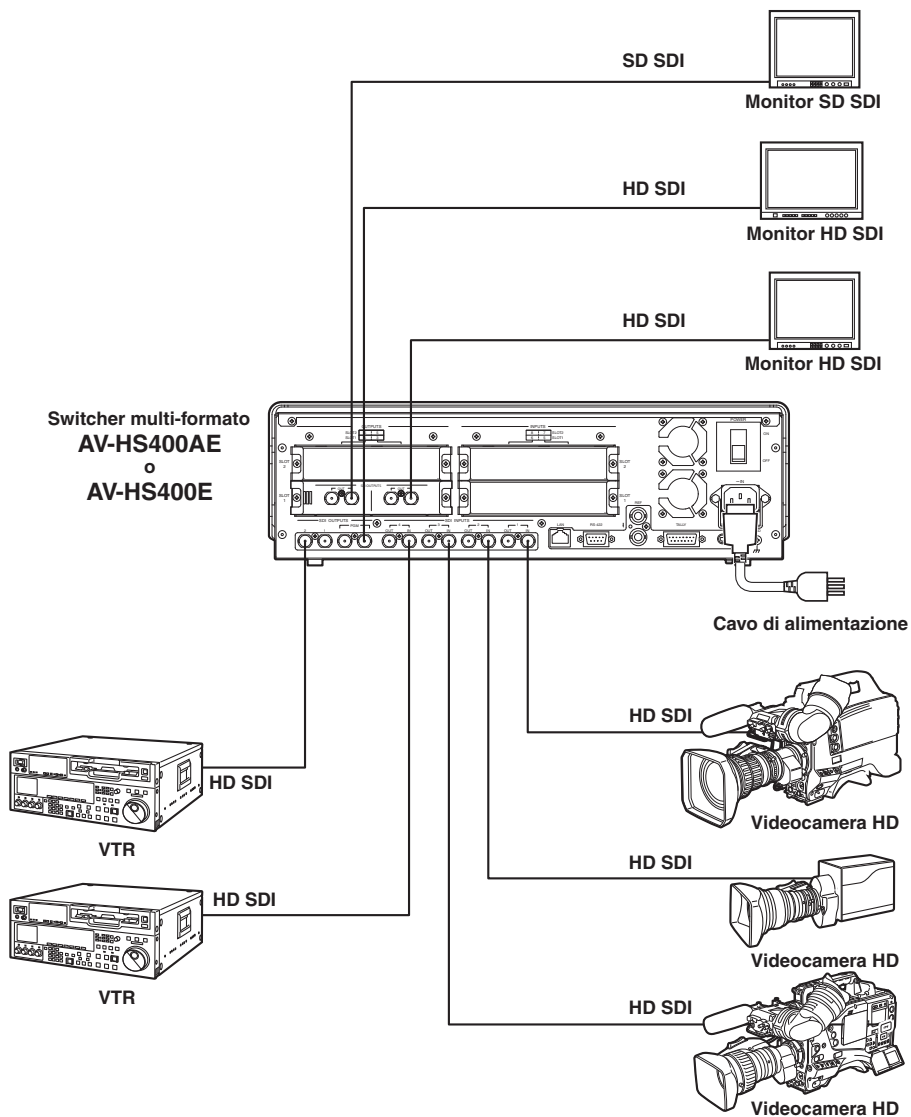
Procedura di rimozione

Rimuovere questa scheda seguendo le procedure di montaggio in ordine inverso.

- Per montare il pannello cieco, posizionare il pannello in modo che la parte con la sporgenza sia rivolta verso il basso, quindi montarlo.

Collegamenti

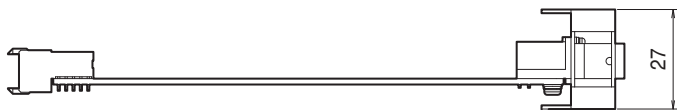
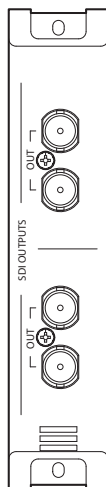
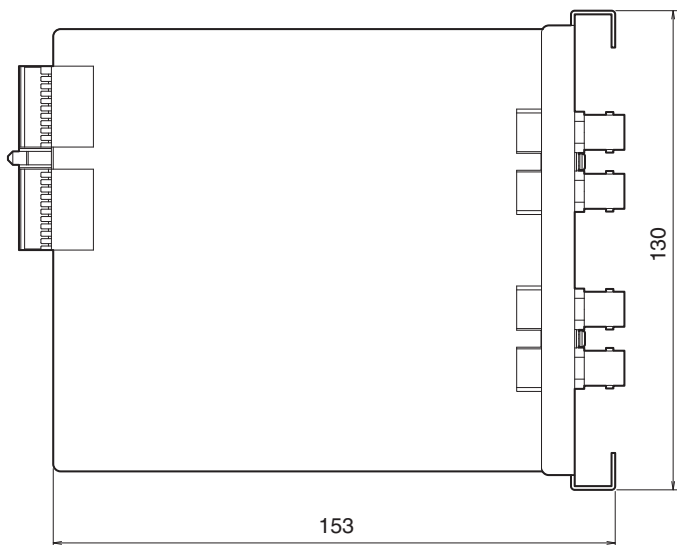
Collegamenti senza implementazione genlock (sincronizzatore quadro ON)



- Eseguire il collegamento con la scheda mentre l'unità è spenta.
- Per informazioni sul collegamento dei singoli dispositivi, consultare le rispettive istruzioni per l'uso.
- Per informazioni sul funzionamento dei singoli dispositivi, consultare le rispettive istruzioni per l'uso.

Aspetto

Unità: mm



ITALIANO

Dati tecnici

Formati segnale	HD: 1080/59.94i, 1080/50i, 720/59.94p, 720/50p SD: 480/59.94i, 576/50i	
Uscite SDI	HD [Conforme a standard SMPTE 292M (BTA S-004B)]	
	• Perdita ritorno uscita	Oltre 15 dB (5 MHz - 750 MHz) Oltre 10 dB (750 MHz - 1,5 GHz)
	• Livello uscita	0,8 V [p-p] $\pm 10\%$ (75 Ω)
	• Tempo di salita	Meno di 270 ps
	• Tempo di discesa	Meno di 270 ps
	• Differenza tra tempo di salita e tempo di discesa	Meno di 100 ps
	• Jitter allineamento	Meno di 0,2 UI (130 ps)
	• Jitter sincronizzazione	Meno di 1,0 UI
	• Rapporto di apertura Eye	Oltre 90 %
	• Scostamento c.c.	0 $\pm 0,5$ V
	SD [Conforme a standard SMPTE 259M]	
	• Perdita ritorno uscita	Oltre 15 dB (5 MHz - 270 MHz)
	• Livello uscita	0,8 V [p-p] $\pm 10\%$ (75 Ω)
	• Tempo di salita	Meno di 1,5 ns
	• Tempo di discesa	Meno di 1,5 ns
	• Differenza tra tempo di salita e tempo di discesa	Meno di 0,5 ns
	• Jitter	Meno di 0,2 UI
	Connettore BNC, 2 linee $\times 2$	
Temperatura d'esercizio	0 °C - 40 °C	
Umidità permmissibile	10 % - 90 % (Senza condensa)	
Alimentazione	12 V c.c., 6 V c.c. Fornita dall'unità AV-HS400AE (o AV-HS400E)	
	Assorbimento di corrente	8 W
Dimensioni (LxA x P)	130 x 27 x 153 mm	
Peso	210 g circa	

VERSIÓN ESPAÑOLA

(SPANISH VERSION)

Precauciones de seguridad



CAUTION

RISK OF ELECTRIC SHOCK
DO NOT OPEN



ATENCIÓN: PARA REDUCIR EL RIESGO DE SACUDIDAS ELÉCTRICAS, NO quite la TAPA SUPERIOR (NI TRASERA).
NO HAY NINGUNA PIEZA SUSCEPTIBLE A MANTENIMIENTO POR EL USUARIO. SOLICITE LOS SERVICIOS TÉCNICOS A PERSONAL CUALIFICADO.



El símbolo del relámpago con cabeza de flecha, dentro de un triángulo equilátero, tiene la función de llamar la atención del usuario a la presencia de “tensión peligrosa” no aislada dentro de la caja del producto que puede ser de intensidad suficiente para constituir un riesgo de sacudidas eléctricas a las personas.



El símbolo del punto de exclamación dentro de un triángulo equilátero tiene la función de llamar la atención del usuario a la presencia de importantes instrucciones de mantenimiento (servicio) en la literatura que acompaña el equipo.

ADVERTENCIA:

- PARA REDUCIR EL RIESGO DE INCENDIO O DESCARGA ELÉCTRICA NO EXPONGA ESTE APARATO A LA LLUVIA NI A LA HUMEDAD.
- EL APARATO NO DEBERÁ EXPONERSE AL GOTEO NI A LAS SALPICADURAS, Y NINGÚN OBJETO CON LÍQUIDOS, COMO FLOREROS, DEBERÁ PONERSE ENCIMA DEL APARATO.

AVISO:

PARA REDUCIR EL RIESGO DE INCENDIOS, SACUDIDAS ELÉCTRICAS E INTERFERENCIAS MOLESTAS, UTILICE SOLAMENTE LOS ACCESORIOS RECOMENDADOS.

AVISO:

PARA REDUCIR EL RIESGO DE INCENDIOS O SACUDIDAS ELÉCTRICAS, SOLICITE AL PERSONAL DE SERVICIO CALIFICADO QUE LE HAGA EL CAMBIO DE AJUSTE DE LOS CONMUTADORES DEL INTERIOR DEL APARATO.

 indica información de seguridad.

Precauciones de seguridad

Información sobre la eliminación para los usuarios de equipos eléctricos y electrónicos usados (particulares)



La aparición de este símbolo en un producto y/o en la documentación adjunta indica que los productos eléctricos y electrónicos usados no deben mezclarse con la basura doméstica general.

Para que estos productos se sometan a un proceso adecuado de tratamiento, recuperación y reciclaje, llévelos a los puntos de recogida designados, donde los admitirán sin coste alguno. En algunos países existe también la posibilidad

de devolver los productos a su minorista local al comprar un producto nuevo equivalente.

Si desecha el producto correctamente, estará contribuyendo a preservar valiosos recursos y a evitar cualquier posible efecto negativo en la salud de las personas y en el medio ambiente que pudiera producirse debido al tratamiento inadecuado de desechos.

Póngase en contacto con su autoridad local para que le informen detalladamente sobre el punto de recogida designado más cercano.

De acuerdo con la legislación nacional, podrían aplicarse multas por la eliminación incorrecta de estos desechos.

Para empresas de la Unión Europea

Si desea desechar equipos eléctricos y electrónicos, póngase en contacto con su distribuidor o proveedor para que le informe detalladamente.

Información sobre la eliminación en otros países no pertenecientes a la Unión Europea

Este símbolo sólo es válido en la Unión Europea.

Si desea desechar este producto, póngase en contacto con las autoridades locales o con su distribuidor para que le informen sobre el método correcto de eliminación.

Nombre y dirección del importador conforme a las normas de la UE:

Panasonic Testing Centre

Panasonic Marketing Europe GmbH

Winsberggring 15, 22525 Hamburg, Alemania

Índice

Precauciones de seguridad	1	Montaje	8
Introducción	3	Conexiones	11
Accesorio	3	Apariencia	12
Precauciones para la utilización ...	4	Especificaciones	13
Nombre de cada parte	5		

Introducción

Cuando se instala esta tarjeta en el conmutador de directo multiformato AV-HS400AE (o AV-HS400E), se activa la compatibilidad con dos líneas de salida SDI.

También se incorpora una función de convertidor descendente en cada una de las dos líneas de salida SDI para convertir señales del formato HD en señales del formato SD.

Accesorio

Manual de instrucciones	1
-------------------------------	---

Precauciones para la utilización

- **Maneje el producto cuidadosamente.**

No deje caer el producto ni lo someta a sacudidas o vibraciones fuertes.

- **Utilice el producto dentro de una temperatura ambiental de 0 °C a 40 °C.**

Evite utilizar el producto en un lugar frío, a menos de 0 °C, o en un lugar caliente, a más de 40 °C, porque la temperatura demasiado baja o alta afectará adversamente a los componentes del interior del producto.

- **Desconecte la alimentación antes de conectar o desconectar cables.**

Antes de enchufar o desenchufar cables, asegúrese de desconectar la alimentación.

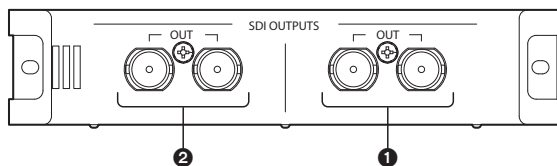
- **Evite la humedad y el polvo.**

Evite utilizar el producto en un lugar húmedo o polvoriento, porque la humedad y el polvo causarán daños en los componentes internos.

- **Cuando tire el producto**

Cuando tire el producto al final de su vida de servicio, póngase en contacto con un contratista especializado para tirarlo de la forma adecuada y proteger así el medio ambiente.

Nombre de cada parte



❶ Conectores de salida SDI [SDI OUTPUTS]

Cuando se conecta al conector de salida opcional SLOT1: OUTPUT3

Cuando se conecta al conector de salida opcional SLOT2: OUTPUT5

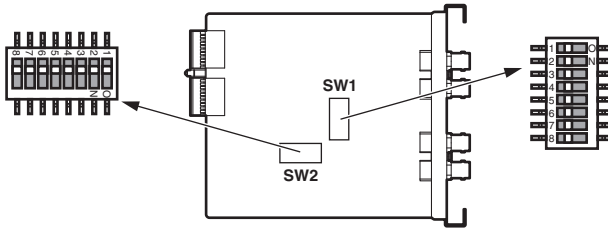
❷ Conectores de salida SDI [SDI OUTPUTS]

Cuando se conecta al conector de salida opcional SLOT1: OUTPUT4

Cuando se conecta al conector de salida opcional SLOT2: OUTPUT6

Nombre de cada parte

③ Conmutadores de ajuste



<Tabla de conmutadores de ajuste>

SW1

N.º de conmutador	Off	On	Ajuste de fábrica
1	—	—	Off
2	—	—	Off
3	—	—	Off
4	4: Off, 5: Off Centro		Off
5	4: On, 5: Off Derecha		
	4: Off, 5: On Izquierda		Off
	4: On, 5: On Centro		
6	6: Off, 7: Off Desactivado		Off
7	6: On, 7: Off 108 %		
	6: Off, 7: On 104 %		Off
	6: On, 7: On 100 %		
8	Conversión	Sin conversión (pasante)	Off

Reserva:

Úselo en la posición OFF (ajuste de fábrica).

Ajuste de posición de pantalla:

Seleccione el centro, la derecha o la izquierda para la posición de la pantalla en el modo EC (recorte de bordes).

Ajuste del limitador de gama:

Elija si va a limitar la señal de imagen entrante a un nivel de 100 %, 104 % o 108 % (negro a 0 %) en el margen de RGB o si no la va a poner ningún límite (desactivado).

Conversión de matriz de color:

Elija si va a realizar o no la conversión de color en las señales de imagen ITU-R BT.709 para convertirlas a señales de imagen ITU-R BT.601.

Nombre de cada parte

SW2

N.º de conmutador		Off	On	Ajuste de fábrica
1	Reservado	—	—	Off
2	Reservado	—	—	Off
3	Reservado	—	—	Off
4	Reservado	—	—	Off
5	Reservado	—	—	Off
6	Reservado	—	—	Off
7	Reservado	—	—	Off
8	Reservado	—	—	Off

Utilice los conmutadores números 1 a 8 en la posición “off” (ajuste de fábrica).

Montaje

Instale esta tarjeta en el conmutador de directo multiformato AV-HS400AE (o AV-HS400E).

Nota:

Cuando instale esta tarjeta en el AV-HS400E, el sistema AV-HS400E deberá mejorarse a la versión 2.00.00 o superior.

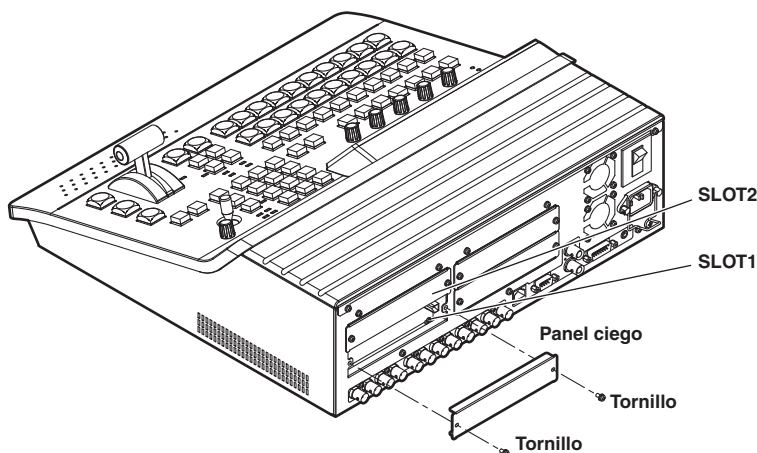
Consulte a su concesionario antes de actualizar la versión del sistema.

<Notas>

- Asegúrese solicitar ayuda en la tienda donde adquirió la tarjeta o a su concesionario cuando la instale y desinstale.
- Antes de instalarla o desinstalarla, apague el conmutador y desconecte el cable de la alimentación.
- Antes de manejar esta tarjeta, toque una parte metálica del AV-HS400AE (o AV-HS400E) para descargar la electricidad estática de su cuerpo. Para mayor seguridad se recomienda utilizar una correa de muñeca antiestática. Si toca esta tarjeta estando cargado con electricidad estática podrán producirse fallos.
- Antes de instalar esta tarjeta, mantenga las partes metálicas de esta tarjeta alejadas de otras partes metálicas para evitar el contacto entre ellas.
- Asegúrese de montar el panel ciego instalado con el AV-HS400AE (o AV-HS400E) después de retirar esta tarjeta.
- Cuando instale o retire esta tarjeta, tenga cuidado para no herirse con los bordes y partes metálicas de la tarjeta.

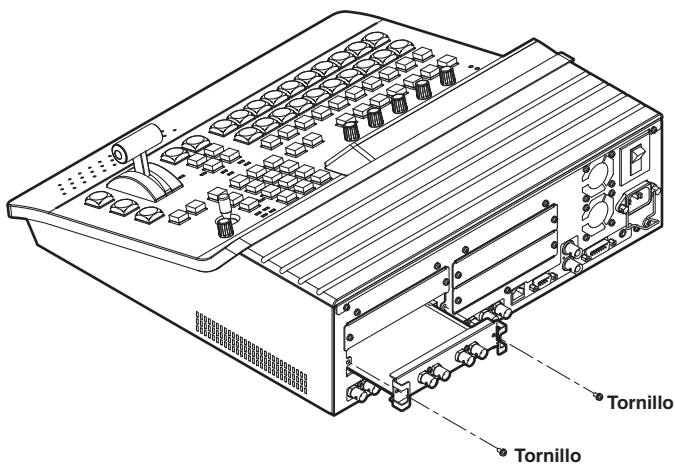
① Apague el AV-HS400AE (o AV-HS400E) y desenchufe el cable de alimentación.

② Afloje los dos tornillos de SLOT1 o SLOT2 en el lado de salida de la parte posterior del AV-HS400AE (o AV-HS400E) y retire el panel ciego.



Montaje

- ③ Alinee la tarjeta con los raíles guía e insértela lentamente. Insértela hasta el fondo. Tenga cuidado de no usar fuerza para insertar la tarjeta porque los conectores podrían estropearse.
- ④ Fije la tarjeta utilizando los dos tornillos.



- ⑤ Después de conectar los cables necesarios, enchufe el cable de la alimentación y encienda el aparato.

Montaje

Comprobación para cerciorarse de que la tarjeta esté instalada correctamente

Apague el AV-HS400AE (o AV-HS400E) y utilice el menú empleado para visualizar los estados de las tarjetas opcionales y comprobar que la tarjeta esté instalada correctamente.

- ① Pulse el botón [FUNC] para encender su indicador y luego pulse el botón [SYSTEM] para visualizar el menú SYSTEM.
- ② Gire [F1] para visualizar el submenú OptVer.

<Visualización de menú>

OptVer	Select	Board	Version
16/16	OUT-SL1	SDI	****

- ③ Gire [F2] para seleccionar la ranura opcional (OUT-SL1 o OUT-SL2) usando el elemento Select.

Si la tarjeta ha sido instalada correctamente, "SDI" aparecerá en el elemento Board.
Si no ha sido instalada correctamente, "None" aparecerá en el elemento Board.

Para conocer detalles de los ajustes de la señal de salida y métodos de operación, consulte las manual de instrucciones en el CD-ROM del AV-HS400AE.

- 4-4. Ajuste de las señales de salida
- 4-11. Ajuste del convertidor descendente

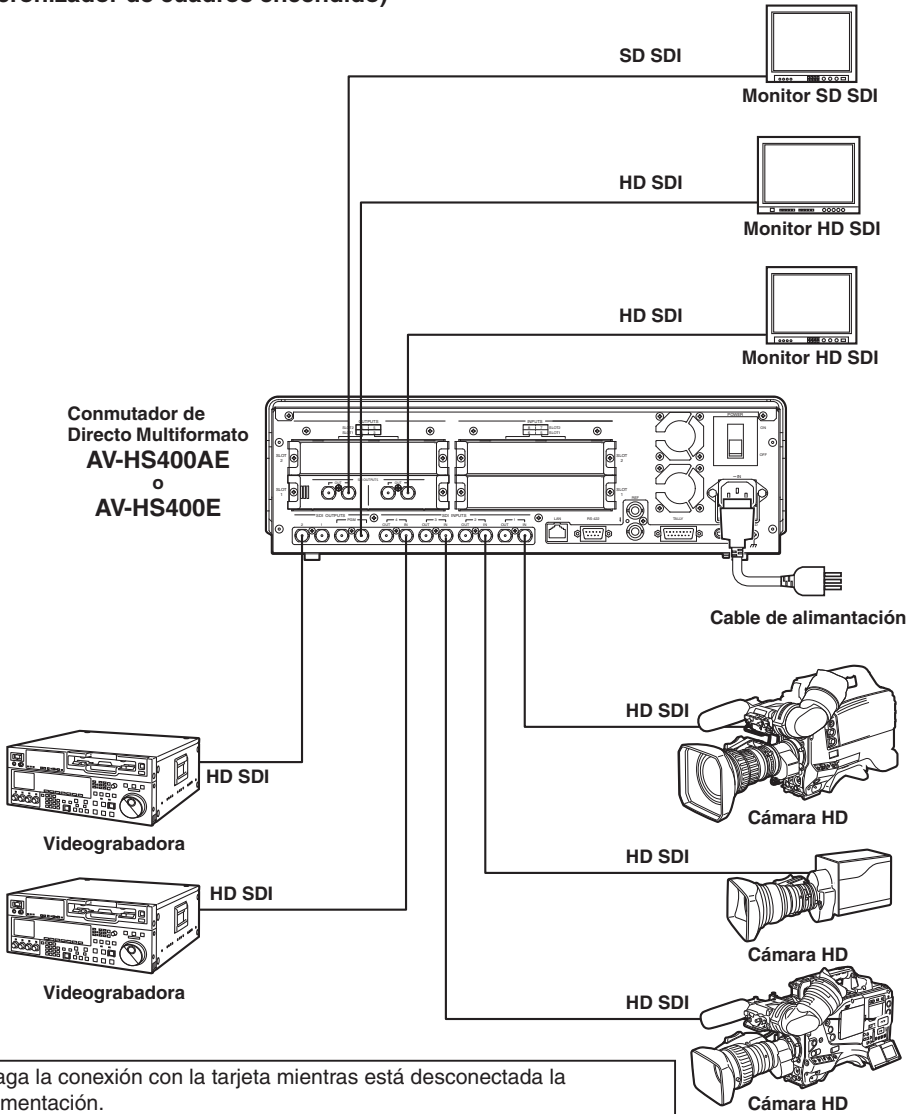
Procedimiento de extracción

Retire esta tarjeta siguiendo los mismos procedimientos que para la instalación, pero a la inversa.

- Cuando coloque el panel ciego, posicione el panel de forma que la parte con el saliente quede hacia abajo, y luego coloque el panel.

Conexiones

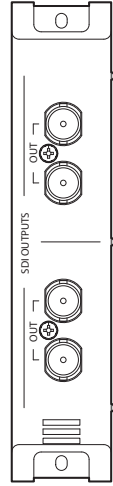
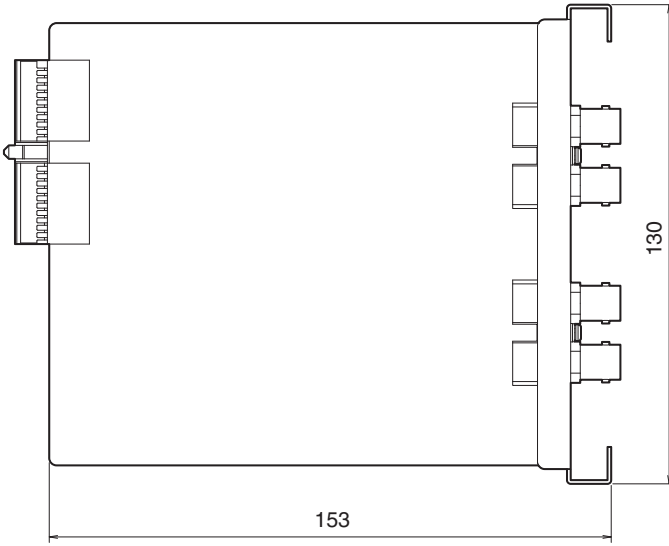
Conexiones cuando no se ejecuta la sincronización de señales de vídeo (sincronizador de cuadros encendido)



- Haga la conexión con la tarjeta mientras está desconectada la alimentación.
- Para conocer detalles de la conexión de los dispositivos individuales, consulte las instrucciones de funcionamiento respectivas.
- Para conocer detalles del funcionamiento de los dispositivos individuales, consulte las instrucciones de funcionamiento respectivas.

Apariencia

Unidad: mm



ESPAÑOL

Especificaciones

Formatos de señales	HD: 1080/59.94i, 1080/50i, 720/59.94p, 720/50p SD: 480/59.94i, 576/50i	
Salidas SDI	HD [Cumple con la norma SMPTE 292M (BTA S-004B)]	
	• Pérdida de retorno de salida	Más de 15 dB (5 MHz a 750 MHz) Más de 10 dB (750 MHz a 1,5 GHz)
	• Nivel de salida	0,8 V [p-p] $\pm 10\%$ (75 Ω)
	• Tiempo de elevación	Menos de 270 ps
	• Tiempo de caída	Menos de 270 ps
	• Diferencia entre el tiempo de elevación y el de caída	Menos de 100 ps
	• Fluctuación de alineación	Menos de 0,2 UI (130 ps)
	• Fluctuación de sincronización	Menos de 1,0 UI
	• Relación de apertura del ojo	Más de 90 %
	• Desviación de CC	0 $\pm 0,5$ V
	SD [Cumple con la norma SMPTE 259M]	
	• Pérdida de retorno de salida	Más de 15 dB (5 MHz a 270 MHz)
	• Nivel de salida	0,8 V [p-p] $\pm 10\%$ (75 Ω)
	• Tiempo de elevación	Menos de 1,5 ns
	• Tiempo de caída	Menos de 1,5 ns
	• Diferencia entre el tiempo de elevación y el de caída	Menos de 0,5 ns
	• Fluctuación	Menos de 0,2 UI
	Conector BNC, 2 líneas $\times 2$	
Temperatura ambiental de funcionamiento	0 °C a 40 °C	
Humedad de funcionamiento	10 % a 90 % (sin condensación)	
Alimentación	CC 12 V, 6 V Suministrada desde el AV-HS400AE (o AV-HS400E)	
	Consumo	8 W
Dimensiones (An\timesAl\timesProf)	130 \times 27 \times 153 mm	
Peso	210 g aproximadamente	

РУССКАЯ ВЕРСИЯ
(RUSSIAN VERSION)

Меры предосторожности



CAUTION
RISK OF ELECTRIC SHOCK
DO NOT OPEN



ВНИМАНИЕ: ВО ИЗБЕЖАНИЕ ОПАСНОСТИ ПОРАЖЕНИЯ ЭЛЕКТРИЧЕСКИМ ТОКОМ НЕЛЬЗЯ ОТКРЫВАТЬ ПЕРЕДНЮЮ (ИЛИ ЗАДНЮЮ) КРЫШКУ.
ВНУТРИ НЕТ ОБСЛУЖИВАЕМЫХ ПОЛЬЗОВАТЕЛЕМ ДЕТАЛЕЙ.
ОБСЛУЖИВАЮЩЕМУ ЗА ТЕХОБСЛУЖИВАНИЕМ ОБРАЩАТЬСЯ К КВАЛИФИЦИРОВАННОМУ ПЕРСОНАЛУ ПО ТЕХОБСЛУЖИВАНИЮ И РЕМОНТУ.



Пиктографический знак сверкания молнии со стрелкой в равностороннем треугольнике предупреждает пользователя о наличии в кожухе прибора неизолированного высокого «опасного напряжения», могущего создать опасность поражения электрическим током.



Восклицательный знак в равностороннем треугольнике предупреждает пользователя о наличии важных инструкций по эксплуатации и техобслуживанию в сопроводительной документации к прибору.

 Данный знак обозначает информацию, относящуюся к технике безопасности.

Меры предосторожности

ВНИМАНИЕ:

- для снижения риска возникновения пожара или удара электрическим током не подвергайте данное оборудование воздействию дождя или влаги.
- не подвергайте аппарат воздействию капель или брызг жидкостей; также не ставьте на аппарат какие-либо емкости, наполненные жидкостью, такие как вазы.

ОСТОРОЖНО:

для снижения риска возникновения пожара или удара электрическим током и возникновения помех используйте только рекомендуемые дополнительные принадлежности.

ОСТОРОЖНО:

для снижения риска возникновения пожара или удара электрическим током изменения настроек переключателей внутри устройства должны выполняться квалифицированным ремонтным персоналом.

 Данный знак обозначает информацию, относящуюся к технике безопасности.

Содержание

Меры предосторожности	1	Монтаж	8
Введение	3	Соединения	11
Принадлежности	3	Внешний вид	12
Меры предосторожности во время использования	4	Технические характеристики	13
Наименование компонент	5		

Введение

При установке данной платы в многоформатный быстродействующий видеомикшер модели AV-HS400AE (или AV-HS400E) обеспечивается поддержка двух выходных линий SDI. Каждая из двух выходных линий SDI оснащена функцией преобразователя с понижением частоты для преобразования сигналов HD формата в SD формат.

Принадлежности

Инструкция по эксплуатации	1
----------------------------------	---

Меры предосторожности во время использования

- **Обращайтесь бережно.**

Не роняйте устройство и не подвергайте его сильным ударам или тряске.

- **Допускается использование устройства при температуре окружающей среды от 0 °C до 40 °C.**

Избегайте использования данного устройства в холодных местах с температурой ниже 0 °C или в жарких местах с температурой выше 40 °C, так как очень низкая или высокая температура оказывают неблагоприятное воздействие на внутренние детали.

- **Отключите питание перед подсоединением и отсоединением кабелей.**

Перед подсоединением или отсоединением кабелей убедитесь, что Вы отключили питание.

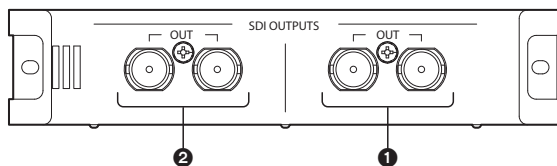
- **Избегайте влажности и пыли.**

Избегайте использования данного устройства во влажных или пыльных местах, так как повышенная влажность и запыленность вызывают повреждения внутренних деталей.

- **Если изделие подлежит списанию**

Если по завершении срока эксплуатации изделие подлежит списанию, обратитесь к специализированному подрядчику по проведению корректной утилизации с целью защиты окружающей среды.

Наименование компонент



❶ Выходные разъемы SDI [SDI OUTPUTS]

При подключении к дополнительному выходному разъему SLOT1: OUTPUT3

При подключении к дополнительному выходному разъему SLOT2: OUTPUT5

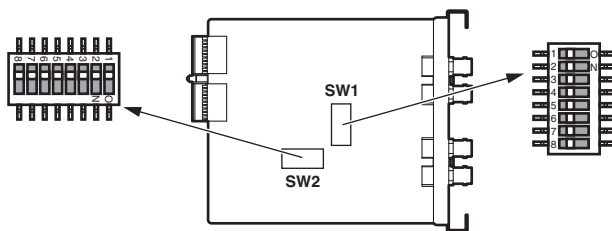
❷ Выходные разъемы SDI [SDI OUTPUTS]

При подключении к дополнительному выходному разъему SLOT1: OUTPUT4

При подключении к дополнительному выходному разъему SLOT2: OUTPUT6

Наименование компонент

3 Установки переключателей



<Таблица установок переключателей>

SW1

Номер переключателя		Off (Выкл)	On (Вкл)	Заводские установки по умолчанию
1	Зарезервировано	—	—	Off
2		—	—	Off
3		—	—	Off
4	Положение экрана	4: Off, 5: Off	По центру	Off
5		4: On, 5: Off	Справа	
		4: Off, 5: On	Слева	Off
		4: On, 5: On	По центру	Off
6	Ограничитель диапазона	6: Off, 7: Off	Выкл	Off
		6: On, 7: Off	108 %	
7		6: Off, 7: On	104 %	
	6: On, 7: On	100 %		
8	Преобразование цветовой матрицы	Преобразование выполняется	Преобразование не выполняется (прямой сигнал)	Off

Резервирование:

Используйте в положении OFF (ВЫКЛ) (заводская установка по умолчанию).

Настройка положения экрана:

Настройте положение экрана в режиме EC (Edge Crop), выбрав расположение по центру, слева или справа.

Установка ограничителя диапазона:

Установите ограничение входного сигнала изображения в RGB-диапазоне на величину 100 %, 104 % или 108 % (черный 0 %) или отключите его (ВЫКЛ).

Преобразование цветовой матрицы:

Установите или отключите преобразование цветов для сигналов изображения ITU-R BT.709 с целью их преобразования в сигналы изображения ITU-R BT.601.

Наименование компонент

SW2

Номер переключателя		Off	On	Заводские установки по умолчанию
1	Зарезервировано	—	—	Off
2	Зарезервировано	—	—	Off
3	Зарезервировано	—	—	Off
4	Зарезервировано	—	—	Off
5	Зарезервировано	—	—	Off
6	Зарезервировано	—	—	Off
7	Зарезервировано	—	—	Off
8	Зарезервировано	—	—	Off

Выключатели с 1 по 8 используйте в положении "off (выкл)" (заводские установки по умолчанию).

Монтаж

Установите данную плату в многоформатный быстродействующий видеомикшер модели AV-HS400AE (или AV-HS400E).

Примечание:

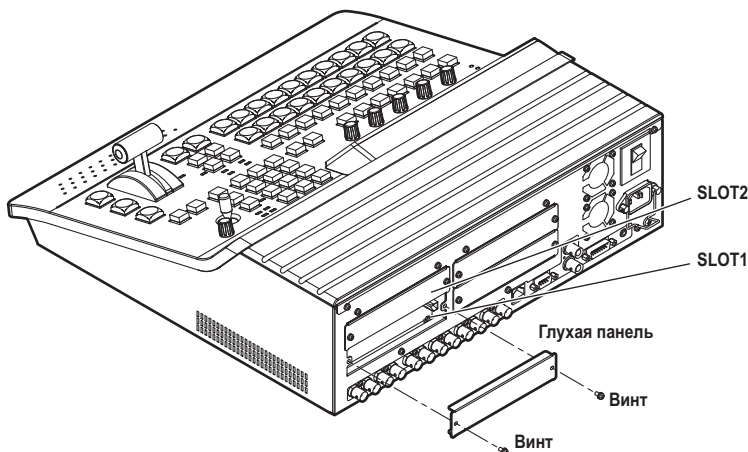
При установке этой платы в видеомикшер AV-HS400E, систему AV-HS400E необходимо будет обновить до версии 2.00.00 или выше.

Проконсультируйтесь с Вашим дилером относительно обновления версии системы.

<Примечания>

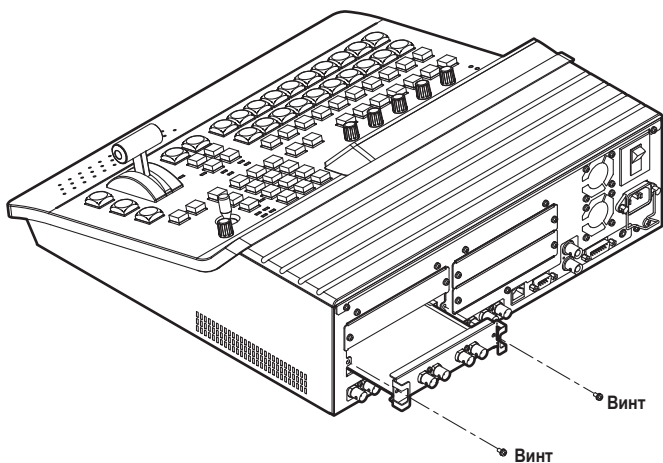
- Для получения помощи при монтаже и демонтаже обязательно обращайтесь в магазин или к дилеру, у которого приобрели изделие.
- Перед началом монтажа и демонтажа установите в положение ВЫКЛ и отключите от сети разъем питания.
- Перед тем как прикасаться к данной плате прикоснитесь к металлической детали AV-HS400AE (или AV-HS400E), чтобы отвести статическое электричество с тела. Для безопасности рекомендуется надеть антистатический браслет. Прикосновение к данной плате при наличии на Вас статического электричества может привести к неисправностям.
- Перед установкой этой платы, не допускайте контакта металлических деталей данной платы с другими металлическими деталями.
- После демонтажа данной платы обязательно закрепите глухую панель, которая была установлена вместе с AV-HS400AE (или AV-HS400E).
- Во время монтажа или демонтажа данной платы соблюдайте осторожность, чтобы не поранить себя краями и металлическими частями плат.

- ① Выключите питание у AV-HS400AE (или AV-HS400E) и отключите шнур питания от сети.
- ② Отвинтите два винта на разъемах SLOT1 и SLOT2 со стороны выходов в задней части AV-HS400AE (или AV-HS400E) и снимите глухую панель.



Монтаж

- ③ Совместите плату с направляющими и медленно вставьте ее.
Вставляйте плату до конца. Соблюдайте осторожность, чтобы не прилагать силу, вставляя плату, так как это может привести к повреждению разъемов.
- ④ Закрепите плату при помощи двух винтов.



- ⑤ После подключения необходимых кабелей включите шнур питания в сеть и включите питание.

Монтаж

Проверка правильности монтажа платы

Включите питание у AV-HS400AE (или AV-HS400E) и проверьте правильность монтажа платы, используя меню индикации состояния дополнительных плат.

- ① Нажмите кнопку [FUNC] для включения индикатора, а затем нажмите кнопку [SYSTEM] для отображения меню SYSTEM.
- ② Поверните регулятор [F1] для отображения подменю OptVer.

<Изображение меню>

OptVer	Select	Board	Version
16/16	OUT-SL1	SDI	*****

- ③ Поверните регулятор [F2] и с помощью пункта меню Select выберите дополнительный слот (OUT-SL1 или OUT-SL2).

Если монтаж платы выполнен правильно, в пункте меню Board появится индикация "SDI".
Если монтаж платы выполнен неправильно, в пункте меню Board появится индикация "None".

Для получения подробной информации по установкам выходного сигнала и методам работы обращайтесь к инструкции по эксплуатации на CD-ROM для AV-HS400AE.

4-4. Настройка выходных сигналов

4-11. Установка преобразователя с понижением частоты

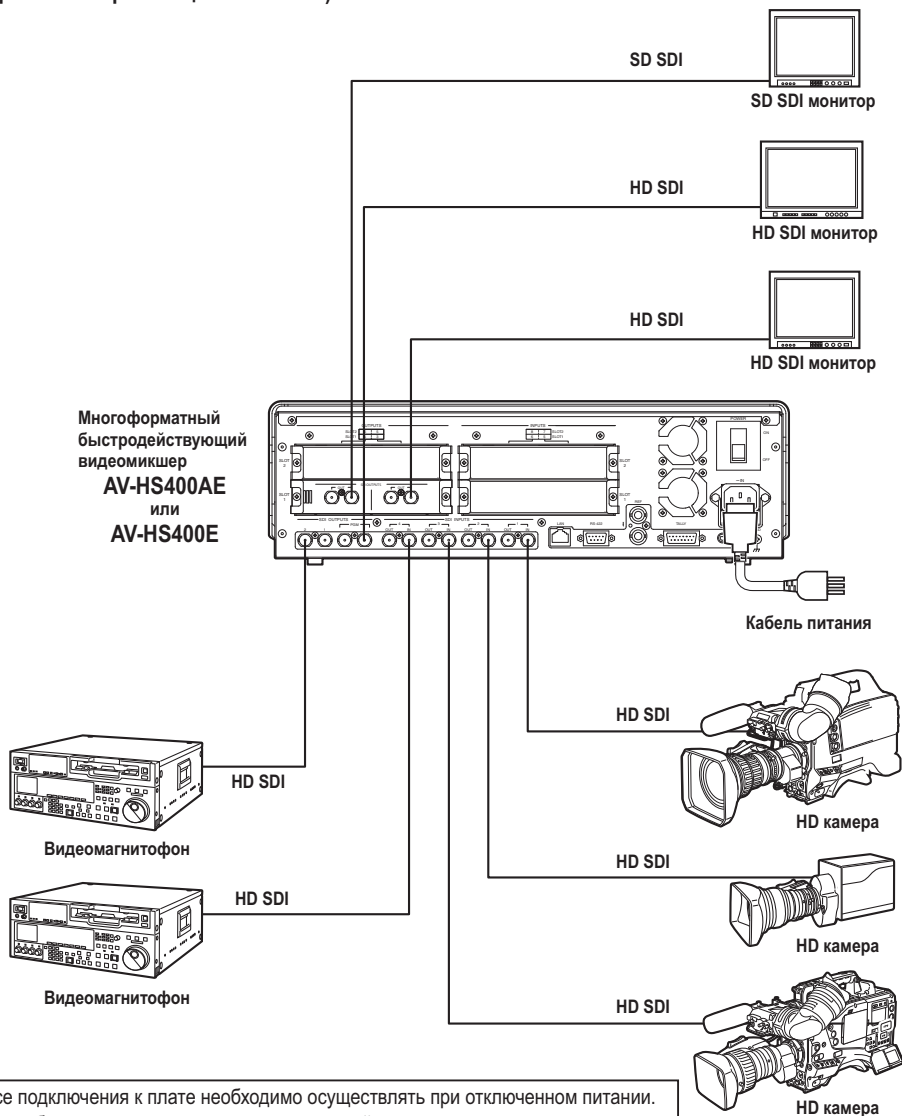
Процедура удаления

Снимайте данную плату, следуя указаниям процедуры монтажа в обратном порядке.

- Во время установки глухой панели расположите ее таким образом, чтобы выступающая часть была направлена вниз, а затем закрепите ее.

Соединения

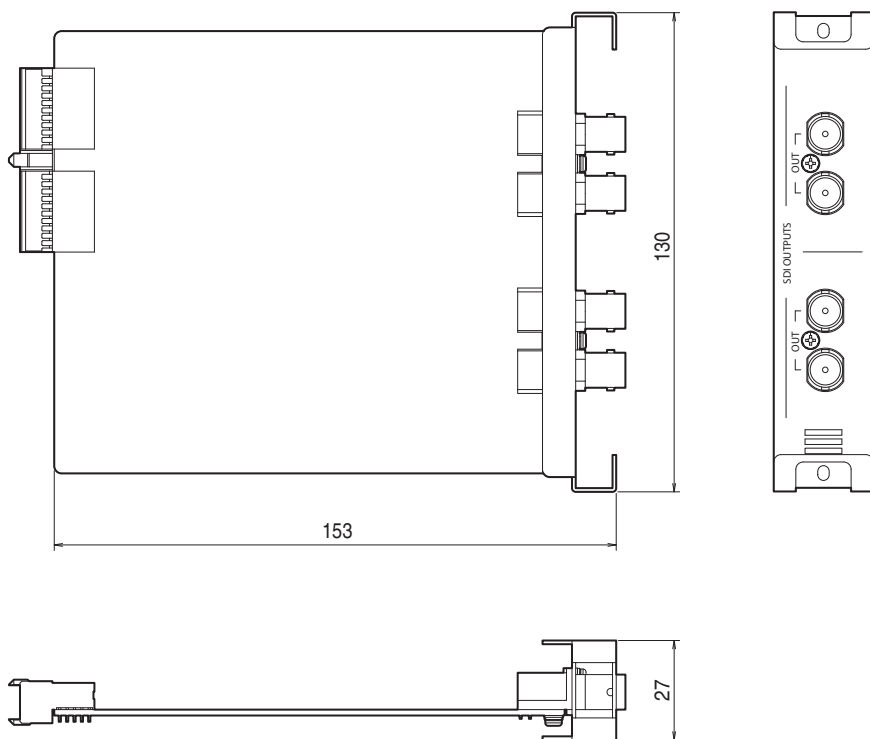
Подключения в отсутствие принудительной синхронизации
(кадровая синхронизация включена)



- Все подключения к плате необходимо осуществлять при отключенном питании.
- Подробности подключения конкретных устройств описаны в соответствующих инструкциях по их эксплуатации.
- Подробности работы конкретных устройств также описаны в соответствующих инструкциях по их эксплуатации.

Внешний вид

Единица измерения: мм



Технические характеристики

Форматы сигнала	HD: 1080/59.94i, 1080/50i, 720/59.94p, 720/50p SD: 480/59.94i, 576/50i	
SDI Выходы	HD [SMPTE 292M (BTA S-004B) стандартный, согласованный с]	
	• Обратные потери на выходе	Более 15 дБ (от 5 МГц до 750 МГц) Более 10 дБ (от 750 МГц до 1,5 ГГц)
	• Выходной уровень • Время нарастания • Время спада • Различие между временем нарастания и временем спада	0,8 В [п-п] ±10 % (75 Ом) Менее 270 пс Менее 270 пс Менее 100 пс
	• Неустойчивость настройки • Неустойчивость синхронизации • Визуальный формат изображения • Смещение по постоянному напряжению	Менее 0,2 UI (130 пс) Менее 1,0 UI Более 90 % 0 ±0,5 В
	SD [SMPTE 259M стандартный, согласованный с]	
	• Обратные потери на выходе	Более 15 дБ (от 5 МГц до 270 МГц)
	• Выходной уровень • Время нарастания • Время спада • Различие между временем нарастания и временем спада	0,8 В [п-п] ±10 % (75 Ом) Менее 1,5 нс Менее 1,5 нс Менее 0,5 нс
	• Неустойчивость	Менее 0,2 UI
	Разъем BNC, 2 линий ×2	
Рабочая окружающая температура	От 0 °С до 40 °С	
Влажность	От 10 % до 90 % (конденсация недопустима)	
Источник питания	Постоянное напряжение 12 В, 6 В Подается от AV-HS400AE (или AV-HS400E)	
	Потребляемая мощность	8 Вт
Размеры (ширина × высота × глубина)	130×27×153 мм	
Вес	Приблиз. 210 г	

もくじ

概 要	1
付属品	1
安全上のご注意	2
使用上のお願い	4
各部の名前	5
取り付けかた	8
接続のしかた	11
外形寸法図	12
定 格	13
保証とアフターサービス	14

概 要

本ボードを、マルチフォーマットライブスイッチャー AV-HS400AN（または AV-HS400N）に組み込むと、2 系統の SDI 出力に対応することが可能になります。また、2 系統それぞれの SDI 出力には、HD フォーマットの信号を SD フォーマットの信号に変換するダウンコンバーター機能を内蔵しています。

付属品

取扱説明書 1 冊

安全上のご注意

必ずお守りください

お使いになる人や他の人への危害、財産への損害を未然に防止するため、必ずお守りいただくことを、次のように説明しています。

■表示内容を無視して誤った使い方をしたときに生じる危害や損害の程度を、次の表示で区分し、説明しています。



警告

この表示の欄は、「死亡または重傷などを負う可能性が想定される」内容です。

■お守りいただく内容の種類を、次の絵表示で区分し、説明しています。
(下記は、絵表示の一例です。)



このような絵表示は、してはいけない「禁止」内容です。



このような絵表示は、必ず実行していただく「強制」内容です。

安全上のご注意

必ずお守りください



工事は販売店に依頼する



工事は技術と経験が必要です。火災、感電、けが、器物損壊の原因となります。

- 必ず販売店に依頼してください。

分解しない、改造しない



火災や感電の原因になります。

分解禁止

- 修理や点検は、販売店に連絡してください。

異物を入れない



水や金属が内部に入ると、火災や感電の原因となります。

禁止

- 直ちに電源プラグを抜いて、販売店に連絡してください。

異常があるときは、すぐ使用をやめる



煙が出る、においがする、外部が劣化するなど、そのまま使用すると火災・落下によるけが、器物破壊の原因となります。

- 放置せずに、直ちに電源を切り、販売店に連絡してください。

使用上のお願い

●取り扱いにはていねいに

落としたり、強い衝撃や振動を与えないでください。

●使用温度範囲は、0℃～+40℃でお使いください。

0℃以下の寒い所や+40℃以上の暑い所では内部の部品に悪影響を与えるおそれがあります。

●ケーブルの抜き差しは電源を切って

ケーブルの抜き差しは、必ず機器の電源を切ってから行ってください。

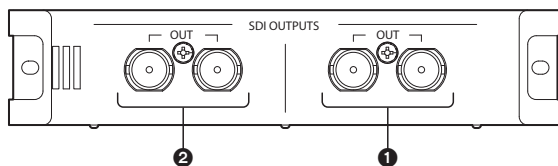
●湿気、ホコリの少ないところで

湿気、ホコリの多いところは、内部の部品がいたみやすくなりますのでさけてください。

●廃棄のときは

本ボードのご使用を終え、廃棄されるときは環境保全のため、専門の業者に廃棄を依頼してください。

各部の名前



① SDI 出力端子 [SDI OUTPUTS]

オプション出力端子 SLOT1 に接続時： OUTPUT3

オプション出力端子 SLOT2 に接続時： OUTPUT5

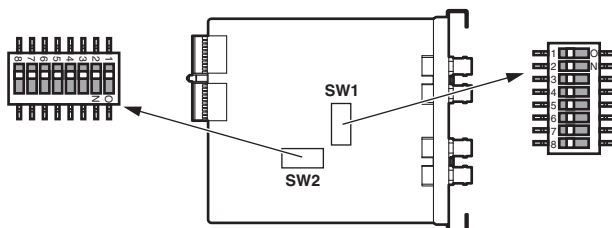
② SDI 出力端子 [SDI OUTPUTS]

オプション出力端子 SLOT1 に接続時： OUTPUT4

オプション出力端子 SLOT2 に接続時： OUTPUT6

各部の名前

③ 設定スイッチ



< 設定スイッチ一覧 >

SW1

スイッチ No.		OFF	ON	工場出荷時
1	リザーブ	—	—	OFF
2		—	—	OFF
3		—	—	OFF
4	画面位置	4: OFF、5: OFF 中央		OFF
5		4: ON、5: OFF 右端寄せ		
	画面位置	4: OFF、5: ON 左端寄せ		OFF
7		4: ON、5: ON 中央		
6	ガンマトリミッター	6: OFF、7: OFF OFF		OFF
		6: ON、7: OFF 108 %		
7		6: OFF、7: ON 104 %		
	ガンマトリミッター	6: ON、7: ON 100 %		OFF
8	カラーマトリクス変換	変換する	変換しない (スルー)	OFF

リザーブ：

OFF（工場出荷時）のポジションで使用してください。

画面位置の設定：

EC (Edge Crop) モード時の画面位置を、中央、右端寄せ、左端寄せの中から設定します。

ガンマトリミッターの設定：

入力された映像信号に、RGB 領域で 100 %、104 %、108 %レベル(黒は 0 %)になるようにリミットをかけるか、リミットをかけない (OFF) かを設定します。

カラーマトリクス変換：

ITU-R BT.709の映像信号をITU-R BT.601の映像信号にカラー変換を行うか、行わないかを設定します。

各部の名前

SW2

	スイッチ No.	OFF	ON	工場出荷時
1	リザーブ	—	—	OFF
2	リザーブ	—	—	OFF
3	リザーブ	—	—	OFF
4	リザーブ	—	—	OFF
5	リザーブ	—	—	OFF
6	リザーブ	—	—	OFF
7	リザーブ	—	—	OFF
8	リザーブ	—	—	OFF

NO. 1 ～ 8 のスイッチは、OFF（工場出荷時）のポジションで使用してください。

取り付けかた

本ボードをマルチフォーマットライブスイッチャー AV-HS400AN (または AV-HS400N) に取り付けます。

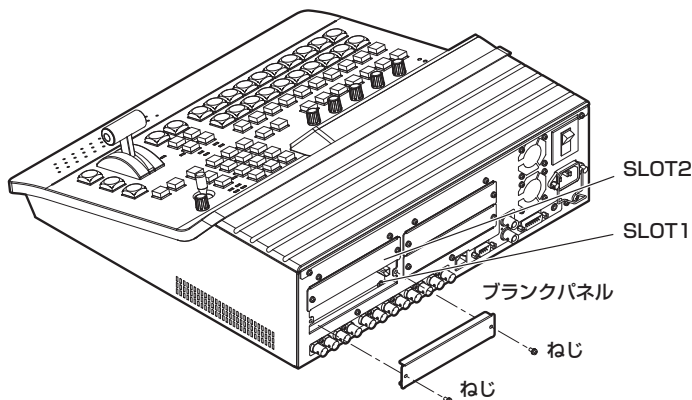
Note:

本ボードを AV-HS400N に取り付ける場合、AV-HS400N のシステムを 2.00.00 以降にバージョンアップする必要があります。
システムのバージョンアップについては、販売店にご相談ください。

<ご注意>

- 取り付け、および取り外し作業は、必ず販売店に依頼してください。
- 取り付け、および取り外し作業は、電源を OFF にし、電源プラグを抜いてから行ってください。
- 本ボードを扱う前に、AV-HS400AN (または AV-HS400N) の金属部に手を触れ、人体に帯電している静電気を「放電」してください。静電気防止のリストストラップを着けると安全です。帯電している状態で本ボードに触れると、故障の原因となります。
- 本ボードを取り付ける前に、本ボードの金属部を他の金属部に接触させないでください。
- 本ボードを取り外した後は、必ず AV-HS400AN (または AV-HS400N) に備え付けのブラックパネルを取り付けてください。
- 本ボードを取り付けるときや取り外すときに、本ボードの縁や金属部などでけがをしないようにご注意ください。

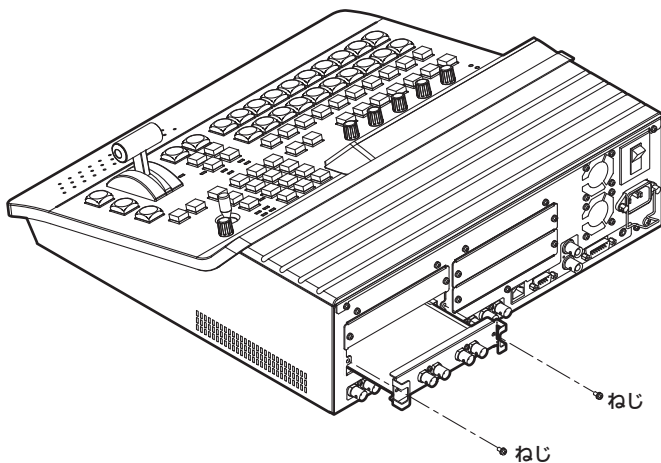
- ① AV-HS400AN (または AV-HS400N) の電源を OFF にし、電源コードを抜く。
- ② AV-HS400AN (または AV-HS400N) 背面の出力側 SLOT1 または SLOT2 のねじ 2 本を緩めて、ブラックパネルを外す。



取り付けかた

- ③ 本ボードをガイドレールに沿わせて、ゆっくりと差し込む。
確実に奥まで差し込んでください。このとき無理な力を加えると、コネクタを破損することがありますので、ご注意ください。

- ④ ねじ 2 本で本ボードを取り付ける。



- ⑤ 必要なケーブルを接続してから、電源コードを差し込んで電源を入れる。

取り付けかた

本ボードが正しく取り付けられていることを確認する

AV-HS400AN（または AV-HS400N）の電源を入れて、オプションボードのステータスを表示するメニューで確認します。

① [FUNC] ボタンを押して点灯させ、[SYSTEM] ボタンを押して、SYSTEM メニューを表示します。

② [F1] を回して OptVer サブメニューを表示します。

<メニュー表示>

OptVer	Select	Board	Version
16/16	OUT-SL1	SDI	****

③ [F2] を回して Select 項目で、オプションスロット（OUT-SL1 または OUT-SL2）を選択します。

本ボードが正しく取り付けられているときは、Board 項目に“SDI”が表示されます。

正しく取り付けられていない場合は、Board 項目に“None”が表示されます。

その他、出力信号の設定や操作の方法は、AV-HS400AN の CD-ROM 内の取扱説明書を参照してください。

4-4. 出力信号の設定

4-11. ダウンコンバーターの設定

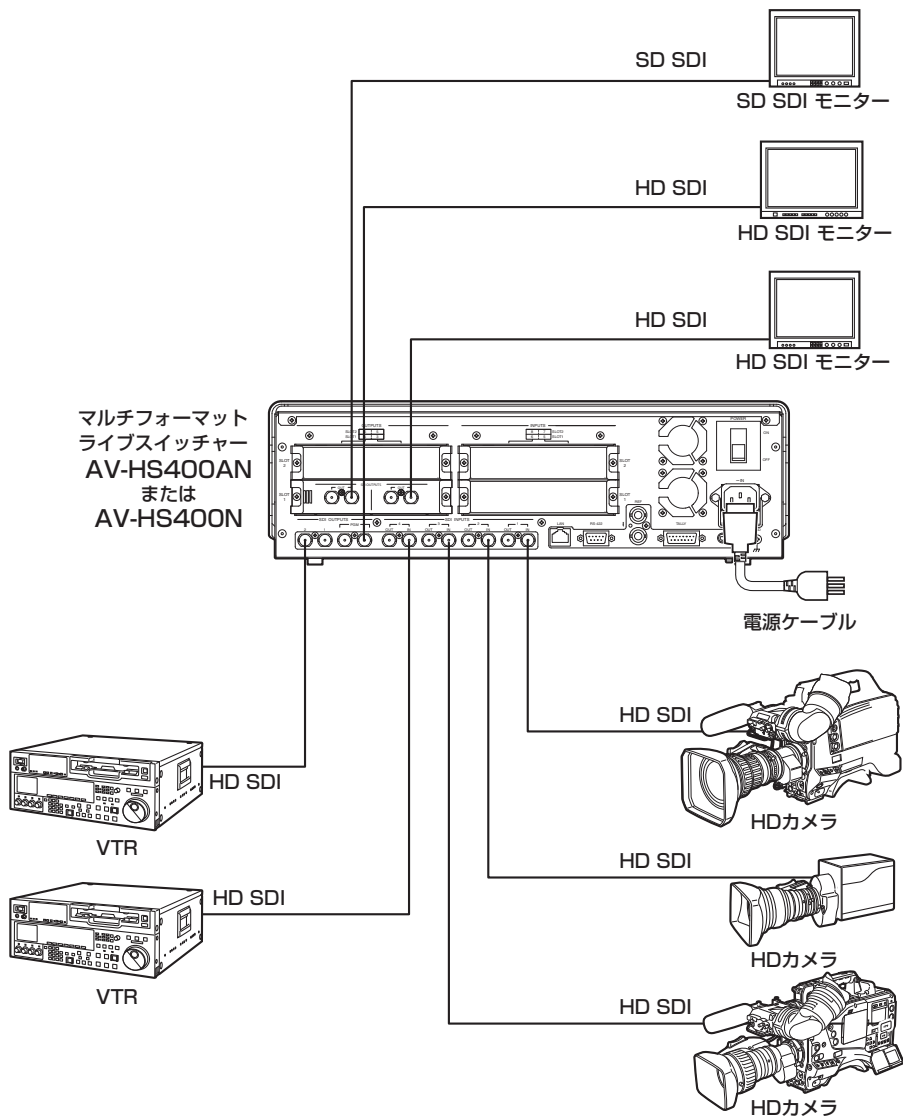
取り外しかた

本ボードの取り外しは、取り付けかたと逆の要領で行ってください。

- ブランクパネルを取り付けるときは、ブランクパネルの突起部分が下になるようにして取り付けてください。

接続のしかた

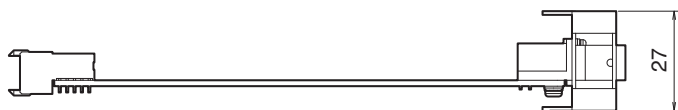
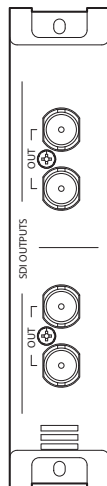
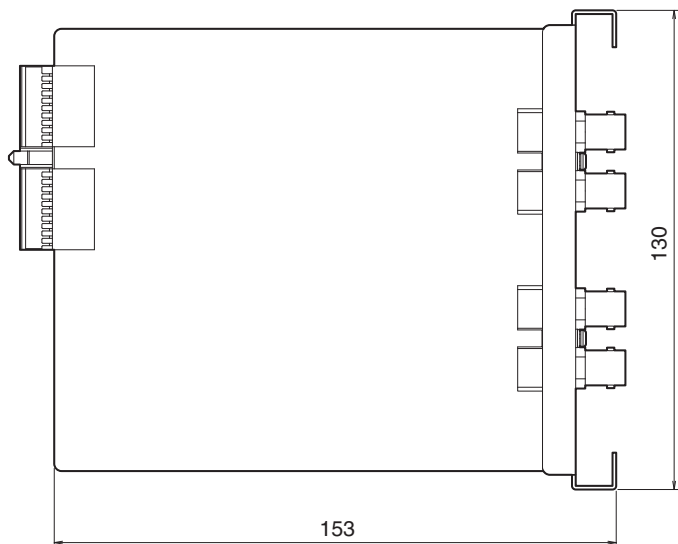
外部同期をかけない接続（フレームシンクロナイザー ON）



- 接続は電源を切った状態で行ってください。
- 各機器の詳しい接続のしかたは、それぞれの取扱説明書を参照してください。
- 各機器の操作方法は、それぞれの取扱説明書を参照してください。

外形寸法図

単位：mm



保証とアフターサービス（よくお読みください）

修理・お取り扱い・お手入れなどのご相談は・・・
まず、お買い上げの販売店へお申し付けください。

■保証書（別添付）

お買い上げ日・販売店名などの記入を必ず確かめ、お買い上げの販売店からお受け取りください。よくお読みのあと、保管してください。

保証期間：お買い上げ日から本体1年間

■補修用性能部品の保有期間 **8年**

当社は、このSDI出力ボードの補修用性能部品を、製造打ち切り後8年保有しています。

注) 補修用性能部品とは、その製品の機能を維持するために必要な部品です。

■修理を依頼されるとき

まず電源プラグを抜いて、お買い上げの販売店へご連絡ください。

ご連絡いただきたい内容	
製品名	SDI 出力ボード
品番	AV-HS04M7
お買い上げ日	年 月 日
故障の状況	できるだけ具体的に

● 保証期間中は

保証書の規定に従って、出張修理をさせていただきます。

● 保証期間を過ぎているときは

修理すれば使用できる製品については、ご要望により修理させていただきます。
下記修理料金の仕組みをご参照のうえ、ご相談ください。

● 修理料金の仕組み

修理料金は、技術料・部品代・出張料などで構成されています。

技術料 は、診断・故障箇所の修理および部品交換・調整・修理完了時の点検などの作業にかかる費用です。

部品代 は、修理に使用した部品および補助材料代です。

出張料 は、お客様のご依頼により製品のある場所へ技術者を派遣する場合の費用です。

Panasonic Corporation

Web Site: <http://panasonic.net>

パナソニック株式会社 プロフェッショナルAVビジネスユニット

〒 571-8503 大阪府門真市松葉町 2 番 15 号 ☎ (06) 6901-1161

© Panasonic Corporation 2011