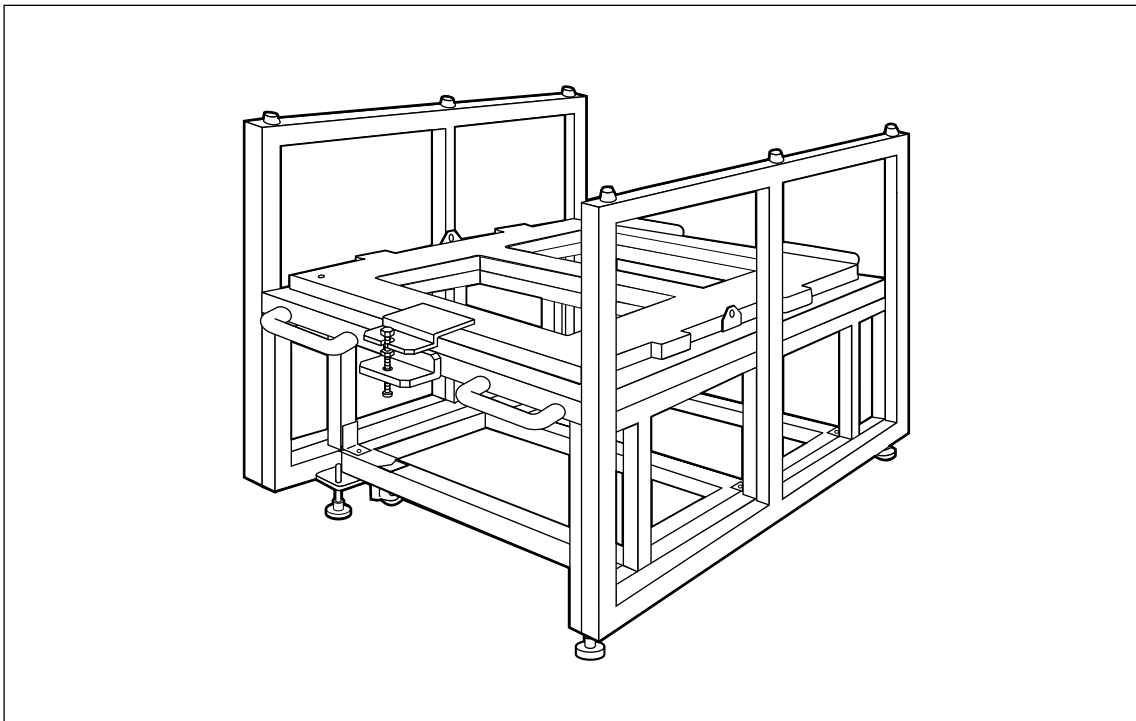


Installation Instructions

Dual Stacking Mount Bracket
(for DLP™ based projectors)

Model No. **ET-DFD95**



Panasonic

Warning:

For safety reasons, this bracket must be installed by a qualified technician and the described installation procedures must be followed.

This installation should conform to all local codes.

Dear Panasonic Customer:

This instruction booklet provides all the necessary operating information that you might require. We hope it will help you to get the most performance out of new product, and that you will be pleased with your Panasonic Dual Stacking Mount Bracket.

Contents

Precautions with regard to safety	2
Bracket components	3
Assembled bracket with projectors	3
Projection distance and dimensions	4
Assembly process	9
Adjusting upper projector angle	15
Specifications	17
Outer dimensions	18

Precautions with regard to safety

WARNING

Always have a service technician perform the assembly and installation.

- Incorrect assembly or installation may result in injury.

At least 3 people are required to install the bracket.

- The weight of the bracket and two projectors is at least 293 kg(644.6 lb). For maximum safety, at least 3 people are required to install the bracket.

Do not install in locations with insufficient support.

- The bracket may fall and cause injury.

Do not install in unstable locations.

- The bracket may fall and cause injury.

CAUTION

Do not install in locations where the projector fans will be blocked.

- Fire may result.

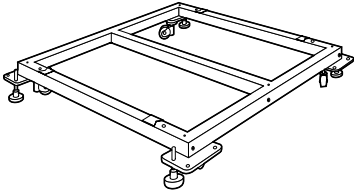



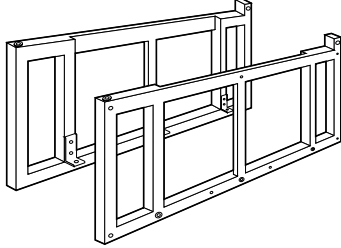


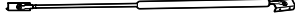

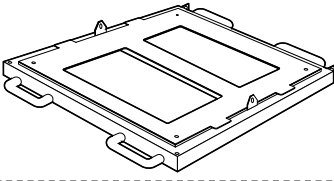















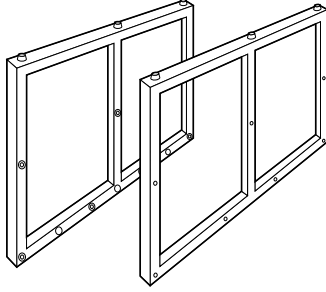



Do not install in humid or dusty locations, locations with oil steam or vapors, or locations where heat radiates.

- Fire may result.

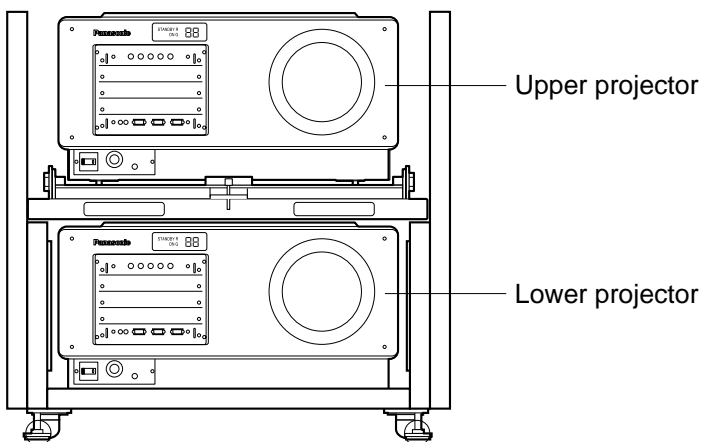
Bracket components

This bracket is exclusively for the installation of dual DLP™ projectors. The bracket is made up of the following components. Before assembling the bracket, confirm that all components have been provided.

Structural components

<p>Base frame 1 For mounting the lower projector.</p>  <p>Use the following to mount the lower projector in the base frame.</p> <ul style="list-style-type: none">  Flat washers (M10) 4  Spring washers (M10) 4  Hex bolts (M10) 4 	<p>Left frame, right frame 1 each Attaches to the base frame, then the upper frame is attached.</p>  <p>Use the following to attach the left and right frames to the base frame.</p> <ul style="list-style-type: none">  Built-in allen hex socket bolts (M6x20) 6  Allen hex socket bolts (M8x50) 6 	<p>Gas springs 2 Attaches to the upper frame and left and right frames to support the weight of the upper projector.</p>  <p>Use the following to install the gas springs.</p> <ul style="list-style-type: none">  Plate bolts (M5x10) 8
<p>Upper frame 1 For mounting the upper projector. Then the frame and upper projector are attached to the left and right frames.</p>  <p>Use the following to attach the upper frame to the left and right frames.</p> <ul style="list-style-type: none">  Special-purpose axes 2  Washers 2  Hex nuts (M12) 2  Spring washers (M12) 2  Flat washers (M12) 2  Allen hex socket bolts (M10) 2  Spring washers (M10) 2  Flat washers (M10) 2 <p>Use the following to attach the upper frame to the upper projector.</p> <ul style="list-style-type: none">  Adjustment bolts (M10) 4  Washers (A) 4  Washers (B) 3  Washers (C) 1  Mounting nut (M10) 4  Hex nuts (M10) 4  Snap pins 4 		<p>Left guard frame, right guard frame 1 each After the upper and lower projectors are mounted, attaches to the left and right frames.</p>  <p>Use the following to attach the left and right guard frames to the left and right frames.</p> <ul style="list-style-type: none">  Flat washers (M6) 14  Spring washers (M6) 14  Allen hex socket bolts (M6x50) 14

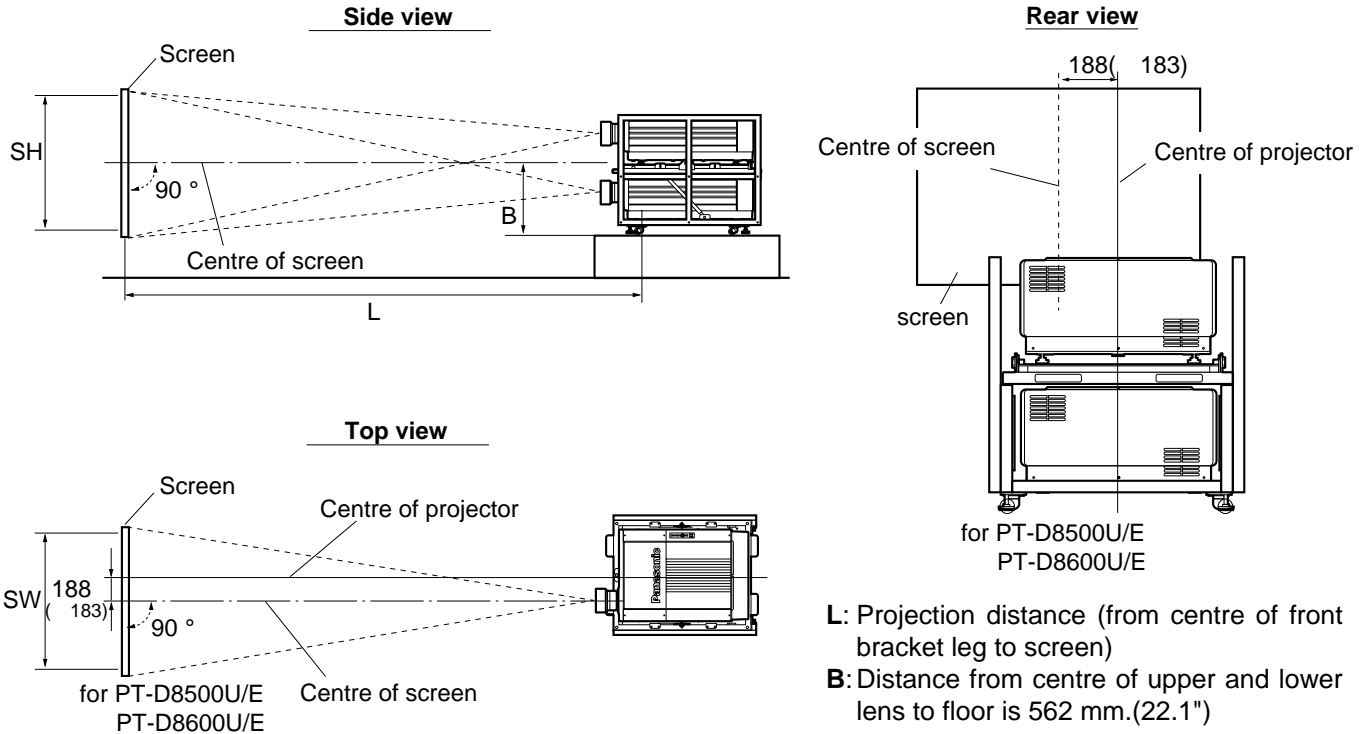
Assembled bracket with projectors



Projection distance and dimensions

The distance from the DLP(TM) Projectors to the screen should be as follows:

- Installation drawing of the screen and the DLP™ projector (unit: mm/inches)



When installing a projection lens(sold separately) of ET-D85LE1, ET-D95LE2,ET-D95LE3, or ET-D95LE9 for model No. PT-D9500U, PT-D9500E, PT-D9510U, PT-D9510E.

Projection distance measurements (screen aspect ratio: 4:3)

unit: mm (feet/inches)

Picture size	Screen size		Projection distance						
			Zoom lens						Fixed focal lens
	Effective height(SH)	Effective width(SW)	ET-D95LE1(1.5-2.5 : 1)		ET-D95LE2(2.5-4.0 : 1)		ET-D95LE3(4.0-7.0 : 1)		ET-D95LE9
Min.			Max.	Min.	Max.	Min.	Max.	0.8:1	
2 540 (100")	1 524 (5' 0")	2 032 (6'8")	3 261 (10'9")	5 197 (17'1")	5 270 (17'3")	8 221 (27' 0")	8 196 (26'11")	14 142 (46'5")	2 398 (7'11")
3 048 (120")	1 829 (6' 0")	2 438 (8' 0")	3 870 (12'9")	6 203 (20'4")	6 279 (20'7")	9 833 (32'3")	9 820 (32'3")	16 976 (55'8")	2 827 (9'4")
3 810 (150")	2 286 (7'6")	3 048 (10' 0")	4 784 (15'9")	7 713 (25'4")	7 792 (25'7")	12 251 (40'2")	12 257 (40'2")	21 227 (69'7")	3 478 (11'5")
4 572 (180")	2 743 (9' 0")	3 658 (12' 0")	5 698 (18'9")	9 223 (30'3")	9 305 (30'6")	14 669 (48'1")	14 693 (48'2")	25 478 (83'7")	4 114 (13'16")
5 080 (200")	3 048 (10' 0")	4 064 (13'4")	6 307 (20'8")	10 229 (33'7")	10 314 (33'10")	16 281 (53'5")	16 318 (53'6")	28 312 (92'10")	—
6 350 (250")	3 810 (12'6")	5 080 (16'8")	7 830 (25'8")	12 745 (41'9")	12 835 (42'1")	20 310 (66'7")	20 379 (66'10")	35 397 (116'1")	—
7 620 (300")	4 572 (15' 0")	6 096 (20' 0")	9 353 (30'8")	15 261 (50'0")	15 357 (50'4")	24 340 (79'10")	24 440 (80'2")	42 482 (139'4")	—
8 890 (350")	5 334 (17'6")	7 112 (23'4")	10 876 (35'8")	17 777 (58'8")	17 879 (58'8")	28 369 (93'6")	28 501 (93'5")	49 567 (162'6")	—
10 160 (400")	6 096 (20' 0")	8 128 (26'8")	12 399 (40'8")	20 293 (66'7")	20 401 (66'11")	32 399 (106'3")	32 562 (106'9")	56 651 (185'9")	—
11 430 (450")	6 858 (22'6")	9 144 (30' 0")	13 922 (45'8")	22 809 (77'10")	22 923 (75'2")	36 429 (119'5")	36 623 (120'1")	63 736 (209' 0")	—
12 700 (500")	7 620 (25' 0")	10 160 (33'4")	15 445 (50'8")	25 325 (83'0")	25 445 (83'5")	40 458 (132'8")	40 684 (133'5")	70 821 (232'3")	—
13 970 (550")	8 382 (27'6")	11 176 (36'8")	16 968 (55'8")	27 841 (91'4")	27 966 (91'9")	44 488 (145'11")	44 745 (146'9")	77 906 (255'5")	—
15 240 (600")	9 144 (30' 0")	12 192 (40' 0")	18 491 (60'8")	30 357 (99'7")	30 488 (100' 0")	48 517 (159'11")	48 806 (160'0")	84 991 (278'8")	—

NOTE:

If there is no reference made to the picture size required, calculate the projection distance from that of a similar picture-size and adjust the zoom lens.

Projection distance measurements (continue)

When installing a projection lens(sold separately) of ET-D85LE1, ET-D95LE2,ET-D95LE3, or ET-D95LE9 for model No. PT-D9500U, PT-D9500E, PT-D9510U, PT-D9510E.

Projection distance measurements (screen aspect ratio: 16:9)

unit: mm (feet/inches)

Picture size	Screen size		Projection distance						
			Zoom lens						Fixed focal lens
	Effective height(SH)	Effective width(SW)	ET-D95LE1(1.5-2.5 : 1)		ET-D95LE2(2.5-4.0 : 1)		ET-D95LE3(4.0-7.0 : 1)		ET-D95LE9
			Min.	Max.	Min.	Max.	Min.	Max.	0.8:1
2 540	1 245	2 214	3 534	5 647	5 721	8 942	8 922	15 409	2 589
(100")	(4'1")	(7'3")	(11'7")	(18'6")	(18'9")	(29'4")	(29'3")	(50'6")	(8'6")
3 048	1 494	2 657	4 197	6 743	6 820	10 698	10 692	18 497	3 057
(120")	(4'11")	(8'9")	(13'9")	(22'1")	(22'5")	(35'1")	(35'1")	(60'8")	(10'1")
3 810	1 868	3 321	5 193	8 388	8 468	13 332	13 346	23 128	3 758
(150")	(6'2")	(10'11")	(17'3")	(27'6")	(27'10")	(43'9")	(43'9")	(75'10")	(12'4")
4 572	2 241	3 985	6 188	10 033	10 117	15 966	16 001	27 759	4 459
(180")	(7'4")	(13'1")	(20'4")	(32'11")	(33'2")	(52'4")	(52'6")	(91'0")	(14'8")
5 080	2 491	4 428	6 852	11 129	11 216	17 722	17 771	30 847	—
(200")	(8'2")	(14'6")	(22'6")	(36'6")	(36'10")	(58'1")	(58'3")	(101'2")	—
6 350	3 113	5 535	8 511	13 870	13 963	22 112	22 195	38 565	—
(250")	(10'3")	(18'2")	(27'11")	(45'6")	(45'10")	(72'7")	(72'10")	(126'6")	—
7 620	3 736	6 641	10 171	16 611	16 711	26 502	26 619	46 284	—
(300")	(12'3")	(21'10")	(33'4")	(54'6")	(54'10")	(86'11")	(87'3")	(151'9")	—
8 890	4 358	7 748	11 830	19 352	19 458	30 892	31 043	54 002	—
(350")	(14'4")	(25'5")	(38'10")	(63'6")	(63'10")	(101'4")	(101'10")	(177'1")	—
10 160	4 981	8 855	13 489	22 094	22 205	35 282	35 467	61 721	—
(400")	(16'4")	(29'0")	(44'3")	(72'5")	(72'10")	(115'8")	(116'4")	(202'5")	—
11 430	5 604	9 962	15 148	24 835	24 953	39 672	39 892	69 440	—
(450")	(18'5")	(32'8")	(49'8")	(81'5")	(81'10")	(130'1")	(130'10")	(227'8")	—
12 700	6 226	11 069	16 808	27 576	27 700	44 062	44 316	77 158	—
(500")	(20'5")	(36'4")	(55'11")	(90'5")	(90'10")	(144'6")	(145'4")	(253'7")	—
13 970	6 849	12 176	18 467	30 317	30 448	48 452	48 740	84 877	—
(550")	(22'6")	(40' 0")	(60'7")	(99'5")	(99'10")	(158'11")	(159'10")	(278'4")	—

NOTE:

The projection distance listed in the table may have a variation within ± 5%.

Projection distance measurements (continue)

When installing a projection lens(sold separately) of ET-D85LE5,ET-D95LE6,ET-D95LE7, ET-D95LE8 or ET-D95LE9 for model No. PT-D9600U, PT-D9600E, PT-D9610U, PT-D9610E.

Projection distance measurements (screen aspect ratio: 5:4)

unit: mm (feet/inches)

Picture size	Screen size		Projection distance (L)								
			Zoom lens								Fixed focal lens
	Effective height(SH)	Effective width(SW)	ET-D95LE5(1.5-2.0 : 1)		ET-D95LE6(2.0-2.5 : 1)		ET-D95LE7(2.5-4.0 : 1)		ET-D95LE8(4.0-7.0 : 1)		ET-D95LE9
Min.			Max.	Min.	Max.	Min.	Max.	Min.	Max.	0.8 : 1	
2 540 (100")	1 586 (5'2")	1 983 (6'6")	3 203 (10'6")	4 194 (13'9")	4 266 (14'0")	5 172 (16'11")	5 033 (16'6")	7 927 (26'0")	8 066 (26'6")	13 905 (45'7")	1 926 (6'4")
3 048 (120")	1 904 (6'3")	2 380 (7'10")	3 814 (12'6")	5 007 (16'5")	3 814 (16'8")	5 079 (20'3")	6 165 (19'9")	6 025 (31'3")	9 513 (31'8")	9 654 (54'9")	2 261 (7'5")
3 810 (150")	2 380 (7'10")	2 975 (9'9")	4 732 (15'6")	6 226 (20'5")	6 299 (20'8")	7 655 (25'1")	7 512 (24'8")	11 891 (39'0")	12 035 (39'6")	20 858 (68'5")	2 763 (9'1")
4 572 (180")	2 856 (9'4")	3 570 (11'9")	5 650 (18'6")	7 444 (24'5")	7 519 (24'8")	9 146 (30'0")	8 999 (29'6")	14 270 (46'10")	14 416 (47'4")	25 029 (82'1")	3 265 (10'9")
5 080 (200")	3 174 (10'5")	3 967 (13'0")	6 261 (20'7")	8 257 (27'1")	8 332 (27'4")	10 139 (33'3")	9 991 (32'9")	15 855 (52'0")	16 004 (52'6")	27 810 (91'3")	3 600 (11'10")
6 350 (250")	3 967 (13'0")	4 959 (16'3")	7 791 (25'7")	10 289 (33'9")	10 365 (34'0")	12 623 (41'5")	12 470 (40'11")	19 820 (65'0")	19 973 (65'6")	34 763 (114'1")	—
7 620 (300")	4 760 (15'7")	5 950 (19'6")	9 320 (30'7")	12 320 (40'5")	12 398 (40'8")	15 107 (49'7")	14 948 (49'1")	23 784 (78'0")	23 941 (78'6")	41 715 (136'10")	—
8 890 (350")	5 554 (18'3")	6 942 (22'9")	10 849 (35'7")	14 352 (47'1")	14 431 (47'4")	17 591 (57'9")	17 427 (57'2")	27 748 (91'0")	27 910 (91'7")	48 668 (159'8")	—
10 160 (400")	6 347 (20'10")	7 934 (26'0")	12 379 (40'7")	16 383 (53'9")	16 464 (54'0")	20 074 (65'10")	19 906 (65'4")	31 712 (104'1")	31 879 (104'7")	55 620 (182'6")	—
11 430 (450")	7 140 (23'5")	8 925 (29'3")	13 908 (45'8")	18 415 (60'5")	18 497 (60'0")	22 558 (74'0")	22 384 (73'5")	35 676 (117'1")	35 847 (117'7")	62 573 (205'4")	—
12 700 (500")	7 934 (24'6")	9 917 (32'6")	15 438 (50'8")	20 446 (67'1")	20 530 (67'4")	25 042 (82'2")	24 863 (81'7")	39 640 (130'1")	39 816 (130'8")	69 525 (228'1")	—
13 970 (550")	8 727 (26'1")	10 909 (35'10")	16 967 (55'8")	22 478 (73'9")	22 562 (74'0")	27 526 (90'4")	27 342 (89'8")	43 604 (143'1")	43 785 (143'1")	76 478 (250'11")	—
15 240 (600")	9 520 (31'3")	11 900 (39'1")	18 496 (60'8")	24 509 (80'5")	24 595 (80'8")	30 010 (98'6")	29 820 (97'10")	47 568 (156'1")	47 753 (156'8")	83 430 (273'9")	—

NOTE:

If there is no reference made to the picture size required, calculate the projection distance from that of a similar picture-size and adjust the zoom lens.

Projection distance measurements (screen aspect ratio: 16:9)

unit: mm (feet/inches)

Picture size	Screen size		Projection distance (L)								
			Zoom lens								Fixed focal lens
	Effective height(SH)	Effective width(SW)	ET-D95LE5(1.5-2.0 : 1)		ET-D95LE6(2.0-2.5 : 1)		ET-D95LE7(2.5-4.0 : 1)		ET-D95LE8(4.0-7.0 : 1)		ET-D95LE9
Min.			Max.	Min.	Max.	Min.	Max.	Min.	Max.	0.8 : 1	
2 540 (100")	1 245 (4'1")	2 214 (7'3")	3 558 (11'8")	4 666 (15'4")	4 738 (15'7")	5 748 (18'10")	5 609 (18'5")	8 848 (29'0")	8 987 (29'6")	15 519 (50'11")	2 120 (6'11")
3 048 (120")	1 494 (4'11")	2 657 (8'9")	4 241 (13'11")	5 572 (18'3")	5 645 (18'6")	6 857 (22'6")	6 715 (22'0")	10 617 (34'10")	10 759 (35'4")	18 623 (61'1")	2 494 (8'2")
3 810 (150")	1 868 (6'2")	3 321 (10'11")	5 265 (17'3")	6 933 (22'9")	7 007 (23'0")	8 520 (27'11")	8 375 (27'6")	13 272 (43'7")	13 417 (44'0")	23 279 (76'5")	3 055 (10'1")
4 572 (180")	2 241 (7'4")	3 985 (13'11")	6 289 (20'8")	8 293 (27'3")	8 368 (27'5")	10 184 (33'5")	10 035 (32'11")	15 926 (52'3")	16 074 (52'9")	27 935 (91'8")	3 615 (11'10")
5 080 (200")	2 491 (8'2")	4 428 (14'6")	6 971 (22'10")	9 200 (30'2")	9 276 (30'5")	11 292 (37'1")	11 142 (36'7")	17 696 (58'1")	17 846 (58'7")	31 038 (101'10")	—
6 350 (250")	3 113 (10'3")	5 535 (18'2")	8 678 (28'6")	11 468 (37'8")	11 545 (37'11")	14 065 (46'2")	13 908 (45'0")	22 120 (72'7")	22 276 (73'1")	38 798 (127'3")	—
7 620 (300")	3 736 (12'3")	6 641 (21'10")	10 385 (34'1")	13 735 (45'1")	13 814 (45'4")	16 837 (55'3")	16 674 (54'8")	26 544 (87'1")	26 705 (87'7")	46 557 (152'9")	—
8 890 (350")	4 358 (14'4")	7 748 (25'5")	12 092 (39'8")	16 002 (52'6")	16 082 (52'9")	19 609 (64'4")	19 441 (63'9")	30 968 (101'7")	31 134 (102'2")	54 317 (178'2")	—
10 160 (400")	4 981 (16'4")	8 855 (29'0")	13 799 (45'3")	18 269 (59'11")	18 351 (60'2")	22 381 (73'5")	22 207 (72'10")	35 393 (116'1")	35 564 (116'8")	62 076 (203'8")	—
11 430 (450")	5 604 (18'5")	9 962 (32'8")	15 506 (50'11")	20 537 (67'4")	20 620 (67'8")	25 153 (82'6")	24 974 (81'11")	39 817 (130'8")	39 993 (131'3")	69 836 (229'1")	—
12 700 (500")	6 226 (20'5")	11 069 (36'4")	17 213 (56'6")	22 804 (74'10")	22 889 (75'1")	27 925 (91'7")	27 740 (91'0")	44 241 (145'2")	44 422 (145'9")	77 595 (254'7")	—
13 970 (550")	6 849 (22'6")	12 176 (39'11")	18 919 (62'1")	25 071 (82'3")	25 158 (82'6")	30 697 (100'9")	30 506 (100'1")	48 665 (159'8")	48 852 (160'3")	85 355 (280'0")	—

NOTE:

The projection distance listed in the table may have a variation within ± 5 %.

Projection distance measurements (continue)

When installing a projection lens(sold separately) of ET-D85LE1,ET-D95LE2, ET-D95LE3, or ET-D95LE9 for model No. PT-D8500U, PT-D8500E.

Projection distance measurements (screen aspect ratio: 4:3)

unit: mm (feet/inches)

Picture size	Screen size		Projection distance						
			Zoom lens						Fixed focal lens
	Effective height(SH)	Effective width(SW)	ET-D95LE1(1.5-2.5 : 1)		ET-D95LE2(2.5-4.0 : 1)		ET-D95LE3(4.0-7.0 : 1)		ET-D95LE9 (0.8:1)
Min.			Max.	Min.	Max.	Min.	Max.		
2540	1524	2032	3261	5197	5270	8221	8196	14142	2398
(100")	(4'12")	(6'8")	(10'9")	(17'1")	(17'3")	(26'12")	(26'11")	(46'5")	(7'11")
3048	1829	2438	3870	6203	6279	9833	9820	16976	2827
(120")	(5'12")	(7'12")	(12'9")	(20'4")	(20'7")	(32'3")	(32'3")	(55'8")	(9'4")
3810	2286	3048	4784	7713	7792	12251	12257	21227	3478
(150")	(7'6")	(9'12")	(15'9")	(25'4")	(25'7")	(40'2")	(40'2")	(69'7")	(11'5")
4572	2743	3658	5698	9223	9305	14669	14693	25478	4114
(180")	(8'12")	(11'12")	(18'9")	(30'3")	(30'6")	(48'1")	(48'2")	(83'7")	(13'16")
5080	3048	4064	6307	10229	10314	16281	16318	28312	—
(200")	(9'12")	(13'4")	(20'8")	(33'7")	(33'10")	(53'5")	(53'6")	(92'10")	—
6350	3810	5080	7830	12745	12835	20310	20379	35397	—
(250")	(12'6")	(16'8")	(25'8")	(41'9")	(42'1")	(66'7")	(66'10")	(116'1")	—
7620	4572	6096	9353	15261	15357	24340	24440	42482	—
(300")	(14'12")	(19'12")	(30'8")	(50'0")	(50'4")	(79'10")	(80'2")	(139'4")	—
8890	5334	7112	10876	17777	17879	28369	28501	49567	—
(350")	(17'6")	(23'4")	(35'8")	(58'8")	(58'8")	(93'6")	(93'5")	(162'6")	—
10160	6096	8128	12399	20293	20401	32399	32562	56651	—
(400")	(19'12")	(26'8")	(40'8")	(66'7")	(66'11")	(106'3")	(106'9")	(185'9")	—
11430	6858	9144	13922	22809	22923	36429	36623	63736	—
(450")	(22'6")	(29'12")	(45'8")	(77'10")	(75'2")	(119'5")	(120'1")	(208'12")	—
12700	7620	10160	15445	25325	25445	40458	40684	70821	—
(500")	(24'12")	(33'4")	(50'8")	(83'0")	(83'5")	(132'8")	(133'5")	(232'3")	—
13970	8382	11176	16968	27841	27966	44488	44745	77906	—
(550")	(27'6")	(36'8")	(55'8")	(91'4")	(91'9")	(145'11")	(146'9")	(255'5")	—
15240	9144	12192	18491	30357	30488	48517	48806	84991	—
(600")	(29'12")	(39'12")	(60'8")	(99'7")	(99'12")	(159'11")	(160'0")	(278'8")	—

NOTE:

If there is no reference made to the picture size required, calculate the projection distance from that of a similar picture-size and adjust the zoom lens.

Projection distance measurements (screen aspect ratio: 16:9)

unit: mm (feet/inches)

Picture size	Screen size		Projection distance						
			Zoom lens						Fixed focal lens
	Effective height(SH)	Effective width(SW)	ET-D95LE1(1.5-2.5 : 1)		ET-D95LE2(2.5-4.0 : 1)		ET-D95LE3(4.0-7.0 : 1)		ET-D95LE9 (0.8:1)
Min.			Max.	Min.	Max.	Min.	Max.		
2540	1245	2214	3534	5647	5721	8942	8922	15409	2589
(100")	(4'1")	(7'3")	(11'7")	(18'6")	(18'9")	(29'4")	(29'3")	(50'6")	(8'6")
3048	1494	2657	4197	6743	6820	10698	10692	18497	3057
(120")	(4'11")	(8'9")	(13'9")	(22'1")	(22'5")	(35'1")	(35'1")	(60'8")	(10'1")
3810	1868	3321	5193	8388	8468	13332	13346	23128	3758
(150")	(6'2")	(10'11")	(17'3")	(27'6")	(27'10")	(43'9")	(43'9")	(75'10")	(12'4")
4572	2241	3985	6188	10033	10117	15966	16001	27759	4459
(180")	(7'4")	(13'1")	(20'4")	(32'11")	(33'2")	(52'4")	(52'6")	(91'0")	(14'8")
5080	2491	4428	6852	11129	11216	17722	17771	30847	—
(200")	(8'2")	(14'6")	(22'6")	(36'6")	(36'10")	(58'1")	(58'3")	(101'2")	—
6350	3113	5535	8511	13870	13963	22112	22195	38565	—
(250")	(10'3")	(18'2")	(27'11")	(45'6")	(45'10")	(72'7")	(72'10")	(126'6")	—
7620	3736	6641	10171	16611	16711	26502	26619	46284	—
(300")	(12'3")	(21'10")	(33'4")	(54'6")	(54'10")	(86'11")	(87'3")	(151'9")	—
8890	4358	7748	11830	19352	19458	30892	31043	54002	—
(350")	(14'4")	(25'5")	(38'10")	(63'6")	(63'10")	(101'4")	(101'10")	(177'1")	—
10160	4981	8855	13489	22094	22205	35282	35467	61721	—
(400")	(16'4")	(29'0")	(44'3")	(72'5")	(72'10")	(115'8")	(116'4")	(202'5")	—
11430	5604	9962	15148	24835	24953	39672	39892	69440	—
(450")	(18'5")	(32'8")	(49'8")	(81'5")	(81'10")	(130'1")	(130'10")	(227'8")	—
12700	6226	11069	16808	27576	27700	44062	44316	77158	—
(500")	(20'5")	(36'4")	(55'11")	(90'5")	(90'10")	(144'6")	(145'4")	(253'7")	—
13970	6849	12176	18467	30317	30448	48452	48740	84877	—
(550")	(22'6")	(39'12")	(60'7")	(99'5")	(99'10")	(158'11")	(159'10")	(278'4")	—

NOTE:

The projection distance listed in the table may have a variation within ± 5%.

Projection distance measurements (continue)

When installing a projection lens(sold separately) of ET-D95LE1,ET-D95LE2, ET-D95LE3, or ET-D95LE9 for model No. PT-D8600U, PT-D8600E.

Projection distance measurements (screen aspect ratio: 5:4)

unit: mm (feet/inches)

Picture size	Screen size		Projection distance						
			Zoom lens				Fixed focal lens		
	Effective height(SH)	Effective width(SW)	ET-D95LE1(1.5-2.5 : 1)		ET-D95LE2(2.5-4.0 : 1)		ET-D95LE3(4.0-7.0 : 1)		ET-D95LE9 (0.8:1)
Min.			Max.	Min.	Max.	Min.	Max.		
2 540 (100")	1 587 (5'3")	1 983 (6'7")	3 145 (10'4")	5 006 (16'6")	5 078 (16'9")	7 915 (26'0")	7 887 (26'0")	13 603 (44'9")	2 316 (7'8")
3 048 (120")	1 904 (6'3")	2 380 (7'10")	3 731 (12'3")	5 974 (19'8")	6 048 (19'11")	9 465 (31'1")	9 449 (31'1")	16 329 (53'9")	2 729 (9'0")
3 810 (150")	2 380 (7'10")	2 975 (9'10")	4 610 (15'2")	7 426 (24'5")	7 504 (24'8")	11 791 (38'9")	11 793 (38'10")	20 418 (67'2")	3 348 (11'0")
4 572 (180")	2 856 (9'5")	3 570 (11'9")	5 489 (18'1")	8 878 (29'2")	8 959 (29'6")	14 117 (46'5")	14 137 (46'6")	24 507 (80'7")	3 967 (13'1")
5 080 (200")	3 173 (10'6")	3 967 (13'1")	6 075 (20'0")	9 846 (32'5")	9 929 (32'8")	15 667 (51'7")	15 700 (51'8")	27 233 (89'7")	—
6 350 (250")	3 967 (13'1")	4 959 (16'4")	7 540 (24'10")	12 267 (40'4")	12 355 (40'8")	19 543 (64'4")	19 606 (64'6")	34 049 (112'0")	—
7 620 (300")	4 760 (15'8")	5 950 (19'7")	9 005 (29'7")	14 687 (48'4")	14 781 (48'8")	23 420 (77'0")	23 513 (77'4")	40 864 (134'5")	—
8 890 (350")	5 554 (18'3")	6 942 (22'10")	10 470 (34'5")	17 107 (56'3")	17 207 (56'7")	27 296 (89'10")	27 419 (90'2")	47 679 (156'10")	—
10 160 (400")	6 347 (20'11")	7 934 (26'1")	11 935 (39'3")	19 527 (64'3")	19 633 (64'7")	31 172 (102'7")	31 326 (103'0")	54 494 (179'3")	—
11 430 (450")	7 140 (23'6")	8 925 (29'4")	13 400 (44'1")	21 948 (72'2")	22 059 (75'2")	35 048 (115'4")	35 232 (115'11")	61 310 (201'8")	—
12 700 (500")	7 934 (24'6")	9 917 (32'8")	14 866 (48'11")	24 368 (80'2")	24 485 (80'7")	38 925 (128'0")	39 139 (128'9")	68 125 (224'1")	—
13 970 (550")	8 727 (26'1")	10 909 (35'11")	16 331 (53'8")	26 788 (88'1")	26 910 (88'6")	42 801 (140'10")	43 045 (141'7")	74 940 (246'6")	—
15 240 (600")	9 520 (31'4")	11 900 (39'2")	17 796 (58'6")	29 209 (96'1")	29 336 (96'6")	46 677 (153'7")	46 951 (154'5")	81 756 (288'11")	—

NOTE:

If there is no reference made to the picture size required, calculate the projection distance from that of a similar picture-size and adjust the zoom lens.

Projection distance measurements (screen aspect ratio: 16:9)

unit: mm (feet/inches)

Picture size	Screen size		Projection distance						
			Zoom lens				Fixed focal lens		
	Effective height(SH)	Effective width(SW)	ET-D95LE1(1.5-2.5 : 1)		ET-D95LE2(2.5-4.0 : 1)		ET-D95LE3(4.0-7.0 : 1)		ET-D95LE9 (0.8:1)
Min.			Max.	Min.	Max.	Min.	Max.		
2540 (100")	1 245 (4'1")	2 214 (7'3")	3 486 (11'6")	5 568 (18'4")	5 641 (18'7")	8 815 (29'0")	8 794 (28'11")	15 186 (50'0")	2 556 (8'5")
3048 (120")	1 494 (4'11")	2 657 (8'9")	4 140 (13'8")	6 648 (22'11")	6 724 (22'1")	10 546 (34'7")	10 538 (34'1")	18 229 (60'0")	3 017 (9'11")
3810 (150")	1 868 (6'2")	3 321 (10'11")	5 121 (17'3")	8 269 (27'2")	8 349 (27'6")	13 142 (43'3")	13 155 (43'3")	22 793 (75'0")	3 708 (12'2")
4572 (180")	2 241 (7'4")	3 985 (13'1")	6 102 (20'1")	9 890 (32'6")	9 974 (32'10")	15 737 (51'9")	15 771 (51'11")	27 357 (90'0")	4 399 (14'6")
5080 (200")	2 491 (8'2")	4 428 (14'6")	6 756 (22'3")	10 971 (36'1")	11 057 (36'5")	17 468 (57'6")	17 515 (57'7")	30 400 (100'0")	—
6350 (250")	3 113 (10'3")	5 535 (18'2")	8 391 (27'7")	13 672 (45'0")	13 764 (45'3")	21 795 (71'8")	21 875 (72'0")	38 007 (125'0")	—
7620 (300")	3 736 (12'3")	6 641 (21'10")	10 027 (33'0")	16 374 (53'11")	16 472 (54'2")	26 121 (85'11")	26 235 (86'4")	45 614 (150'0")	—
8890 (350")	4 358 (14'4")	7 748 (25'5")	11 662 (38'4")	19 075 (62'9")	19 180 (63'1")	30 448 (100'2")	30 595 (100'8")	53 221 (175'1")	—
10160 (400")	4 981 (16'4")	8 855 (29'0")	13 297 (43'9")	21 777 (71'8")	21 887 (72'0")	34 448 (114'5")	34 956 (115'0")	60 828 (200'1")	—
11430 (450")	5 604 (18'5")	9 962 (32'8")	14 932 (49'1")	24 478 (80'6")	24 595 (80'11")	39 101 (128'8")	39 316 (129'4")	68 435 (225'1")	—
12700 (500")	6 226 (20'5")	11 069 (36'4")	16 568 (54'6")	27 180 (89'5")	27 303 (89'10")	43 427 (142'10")	43 676 (143'8")	76 042 (250'2")	—
13970 (550")	6 849 (22'6")	12 176 (39'12")	18 203 (59'11")	29 881 (98'3")	30 010 (98'19")	47 754 (157'1")	48 036 (158'0")	83 648 (275'4")	—

NOTE:

The projection distance listed in the table may have a variation within ± 5%.

Assembly process

Follow the steps below to assemble this product and install the DLP (TM) Projectors.

1. Assemble the left and right frames.
2. Mount the lower projector in the base frame.
3. Attach the gas springs to the left and right frames.
4. Attach the upper projector to the upper frame.
5. Attach the upper frame and upper projector to the left and right frames and gas springs.
6. Attach the left and right guard frames.

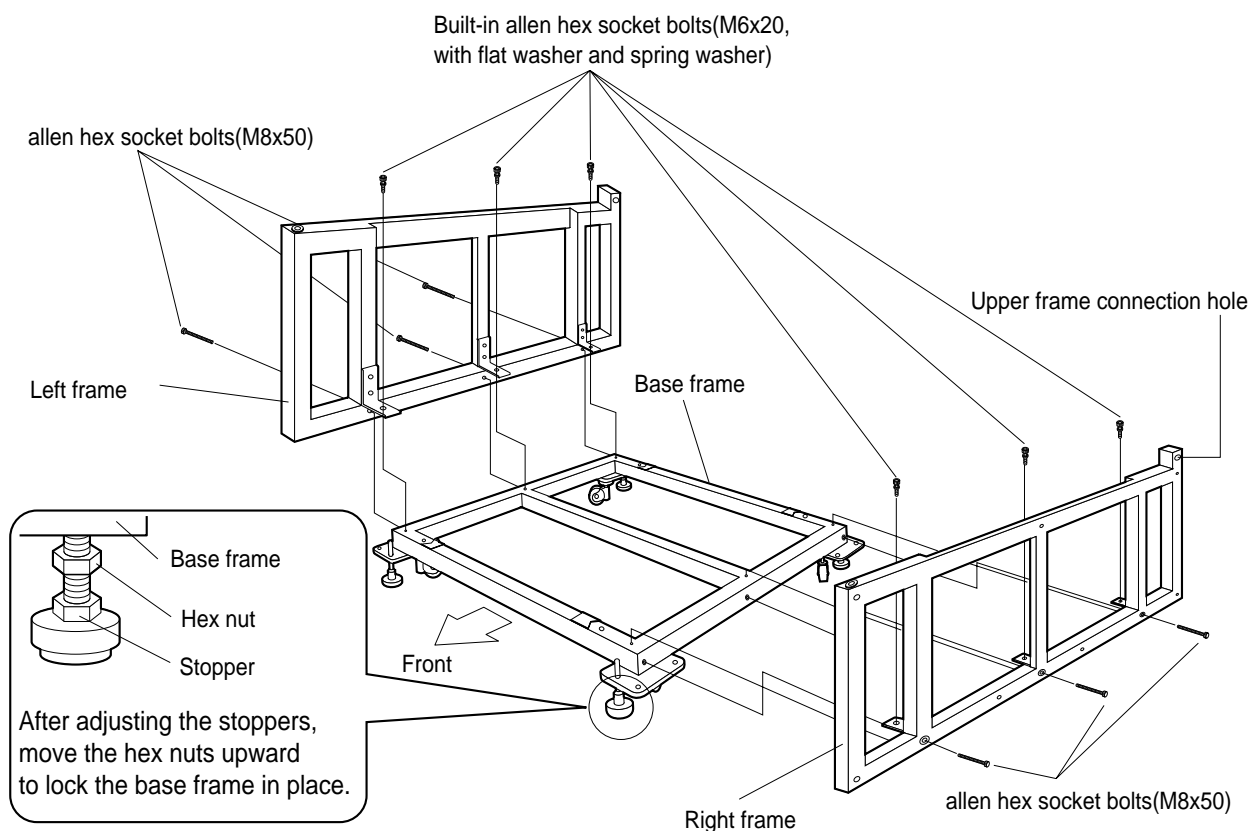
■ Assembly

1. Attach the left and right frames to the base frame.

[1] Attach the left and right frames to the base frame. Although the base frame has no specified front or back, take care to ensure that the left and right frames are positioned correctly. The connection hole near the top of the left and right frames indicates the back.

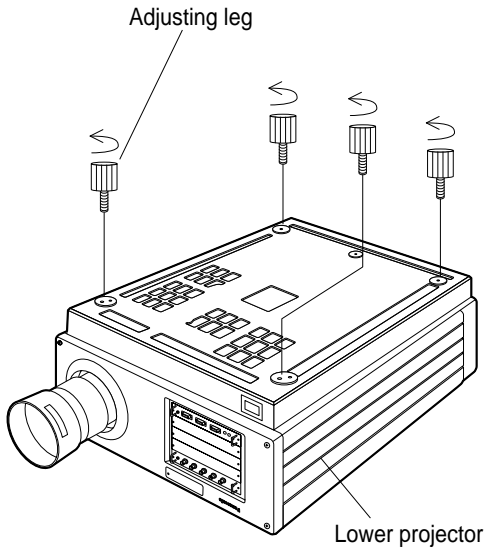
Fix the frames in place using the built-in allen hex socket bolts (M6x20, with flat washer and spring washer), and allen hex socket bolts (M8x50, with flat washer and spring washer).

Note:When assembling this unit, adjust the stoppers (four) on the base frame to stabilise the base frame.



Assembly process (continued)

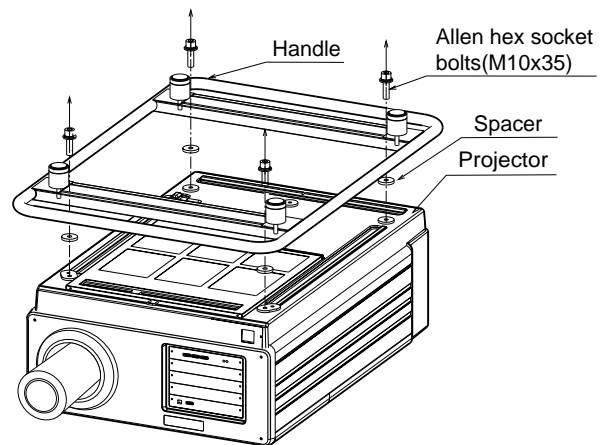
2. Mount the lower projector in the base frame.



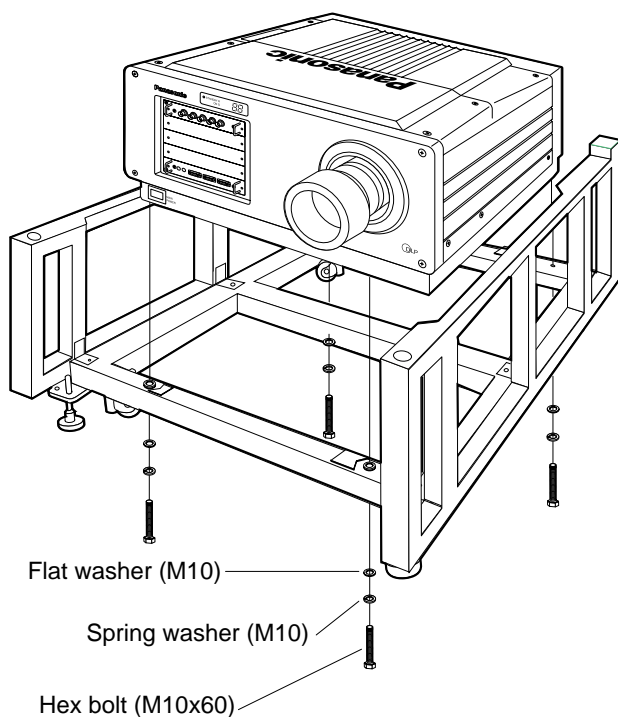
- [1] Attach the dual bracket to the projector's lower side. Place the lower of the two DLP(TM) Projectors on a soft cloth with the bottom facing upward.
- [2] Remove the 4 adjustment legs by turning them anti-clockwise.

Note:

When use the projector is PT-D9510U, PT-D9510E, PT-D9610U or PT-D9610E remove the handle and four spacers,unscrewing the four allen hex socket bolts (M10 x 35) fixing it as shown down.



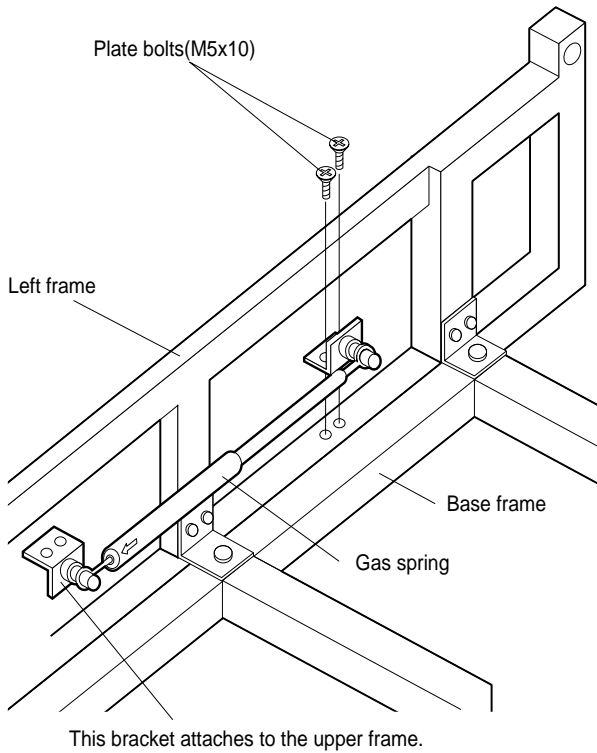
- [3] Turn the DLP(TM) Projector right side up.



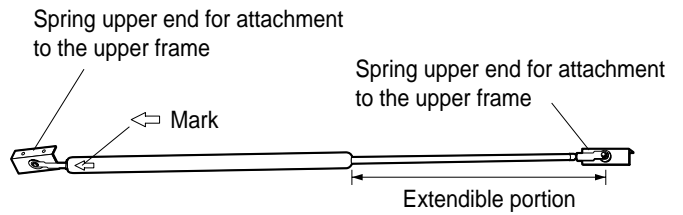
- [4] Place the DLP™ Projector on the base frame assembled in step 1. Fix the projector in place from under the base frame by inserting the flat washer (M10), spring washer (M10) and hex bolt (M10x60) into the adjustment leg holes, as shown in the diagram.

Assembly process (continued)

3. Attach the gas springs to the left and right frames.

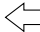


- [1] Attach the lower end of the gas spring unit to the left frame using the plate bolt (M5x10) as shown on the left.
Fix the other gas spring to the right frame in the same manner.



Gas spring

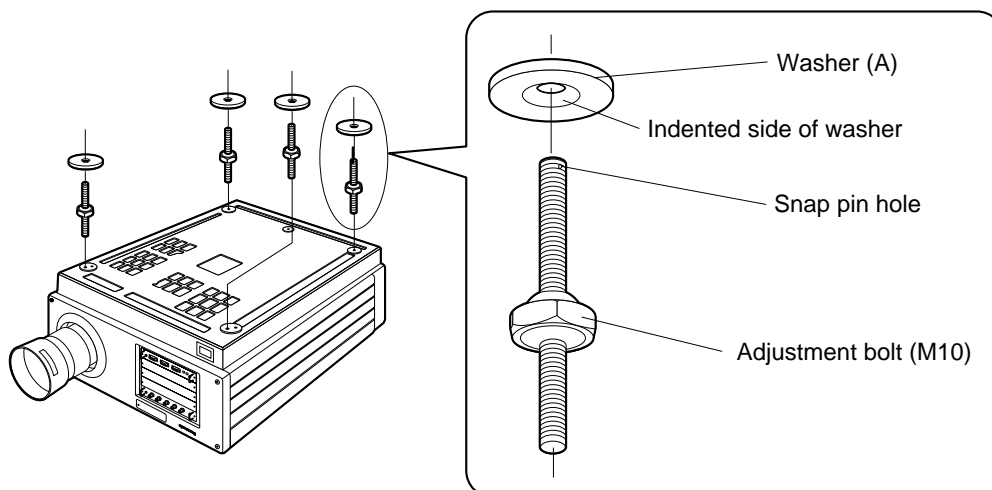
Note:

The upper end of the gas spring is indicated with a  mark. Confirm this mark when attaching.

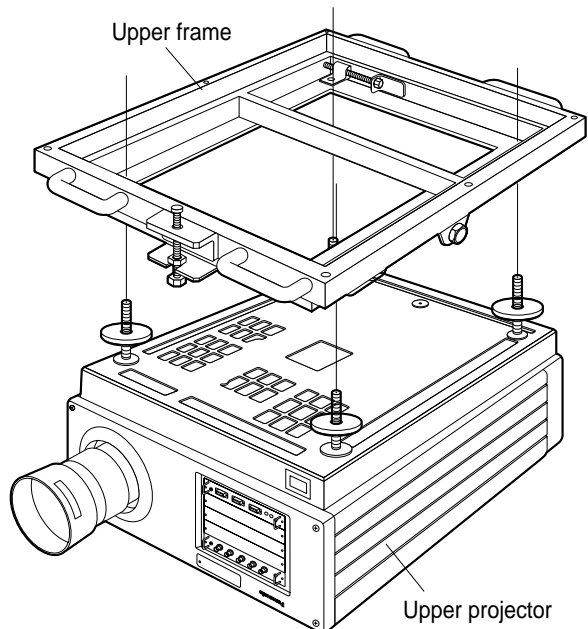
4. Attach the upper frame to the upper projector.

- [1] Remove the four adjustment legs (when use the projector is PT-D9510U, PT-D9510E, PT-D9610U, or PT-D9610E, remove the handle) from the upper DLP™ Projector (See page 10.)

- [2] Insert adjustment bolt (M10) and washer (A) in the adjustment leg holes as shown below .

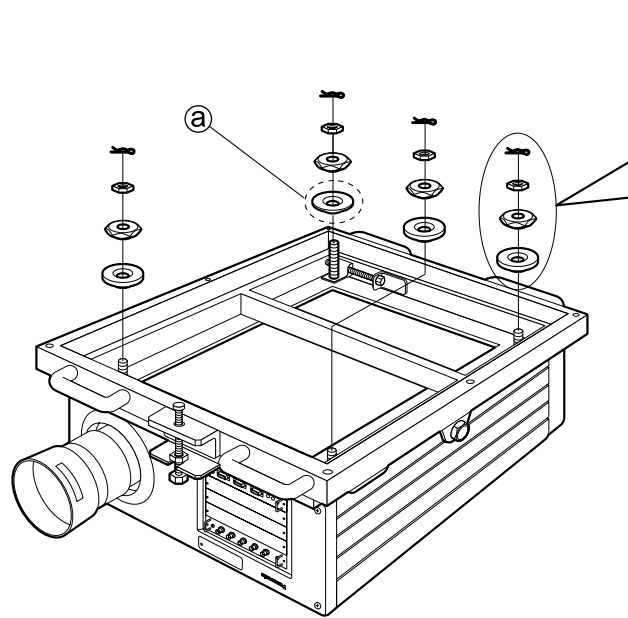


Assembly process (continued)



[3] Place the upper frame over the adjustment bolts as shown on the left.

[4] Fix the upper frame in place using the washer (B), washer (C), fixing nut (M10), hex nut (M10) and snap pin .

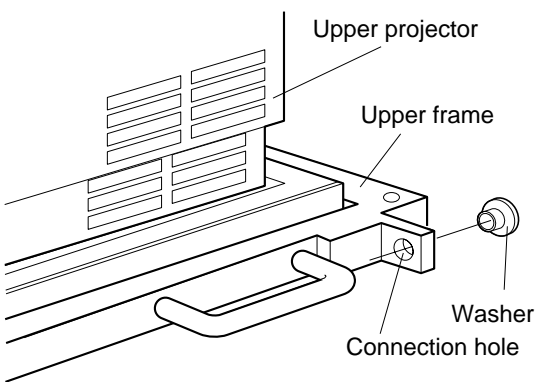


Snap pin
 Hex nut (M10)
 Fixing nut (M10)
 Rounded side
 Indented side of washer
 Washer(B)

Note : Use washer (C) for (a). Washer (C) is thinner than washer (B).

Snap pin
 After inserting the snap pin in the bolt hole, turn it to the side as shown below.

5. Attach the upper frame and upper projector to the left and right frames and gas springs.

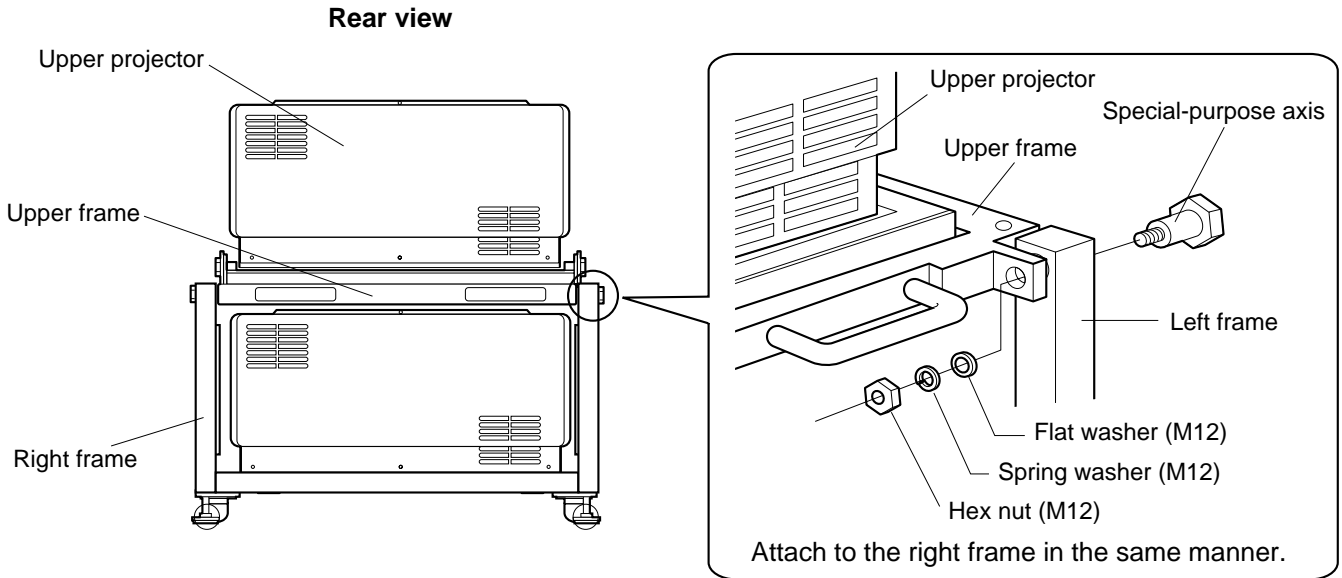


[1] Turn the upper frame and upper projector over so that the projector is right side up. Insert the washers in the upper frame connection holes as shown at left.

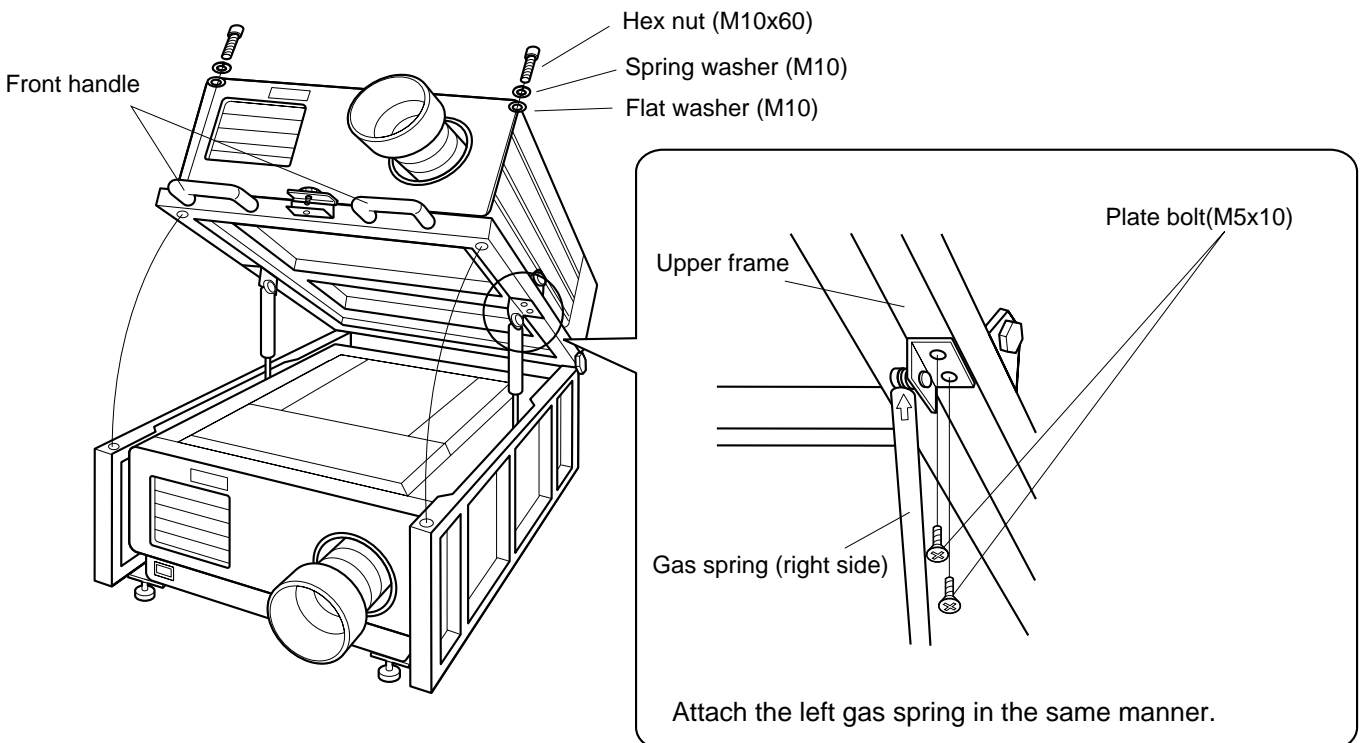
Insert the washer into the connection hole on the other side in the same manner.

Assembly process (continued)

[2] Place the upper frame and upper projector on the left and right frames and align the corresponding connection holes. Fix in place using the special purpose axis, flat washer (M12), spring washer (M12) and hex nut (M12).



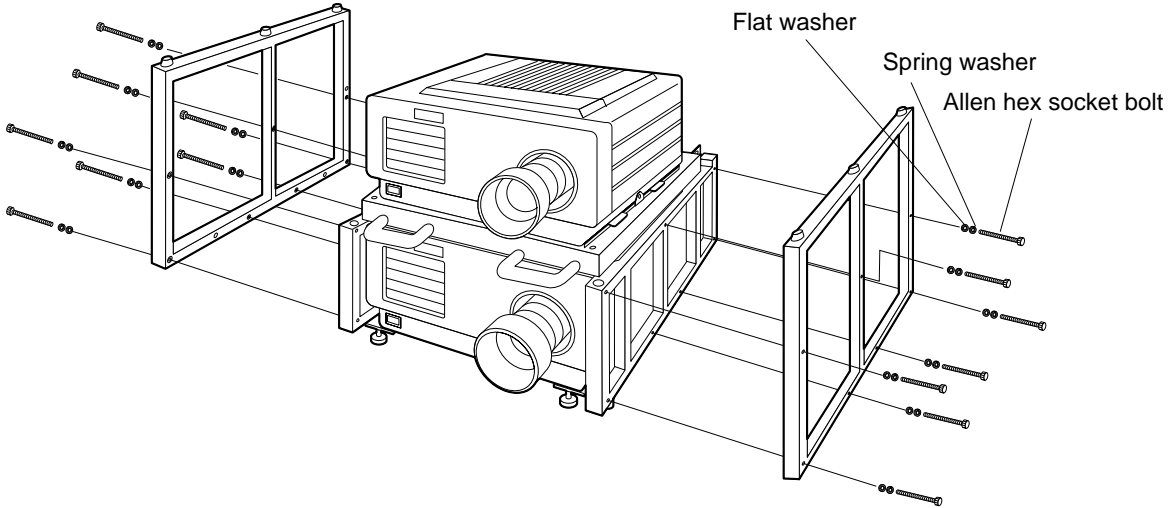
[3] Raise the front handle on the upper frame and fix the upper portions of the left and right gas springs to the upper frame using the built-in Allen hex socket bolt (M5x10 with flat washer and spring washer). After fixing the gas springs, lower the handle and fix the upper frame to the left and right frames using the bolt with hex socket (M10x60), flat washer (M10), and spring washer (M10).



Assembly process (continued)

6. Attach the left and right guard frames.

[1] Attach the left and right guard frames to the left and right frames using the built-in bolt with hex socket (M6x50), flat washer (M6) and spring washer (M6).

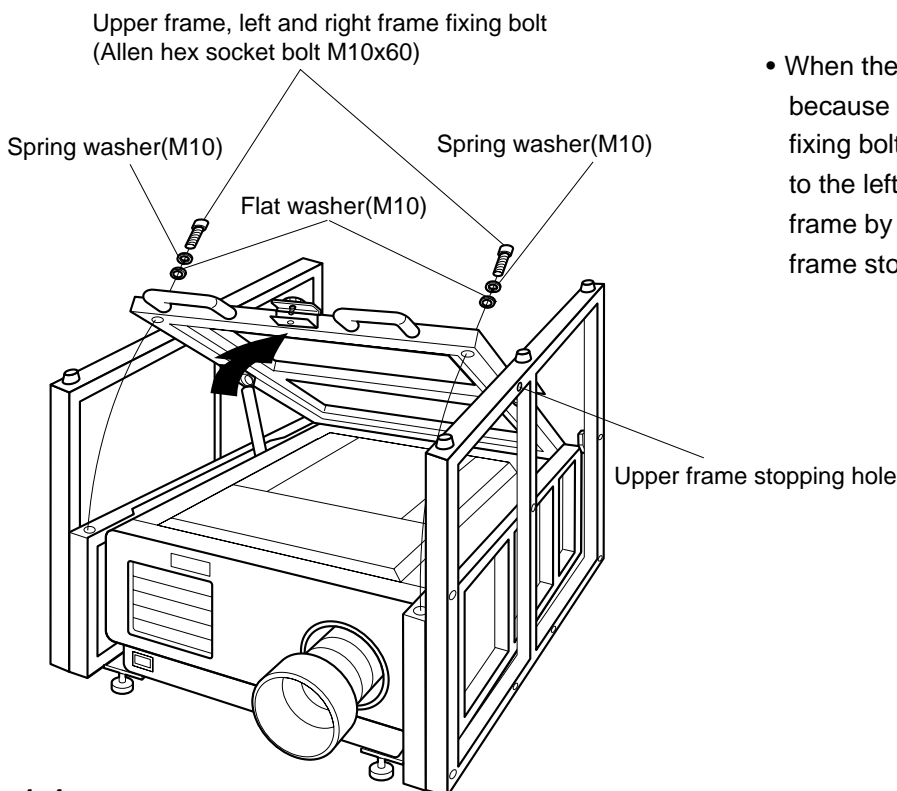


CAUTION

- When removing the fixing bolts that attach the upper frame to the left and right frames, do not place your face near the upper edge of the upper frame. Injury may result.

Note:

- This product is equipped with gas springs to enable the upper frame and projector to be easily raised. The gas springs normally operate slowly because of the projector's weight. When the upper projector is removed, however, for example during inspection, the resulting lighter weight will cause the upper frame to fly upward. Therefore, when removing the fixing bolts from the upper frame and left and right frames, keep your face and body away from the upper frame.



- When the upper frame is raised, it may lower because of the projector's weight. Use the fixing bolts removed from fixing the upper frame to the left and right frames to stabilise the upper frame by inserting the bolts through the upper frame stopping hole on the left and right frames.

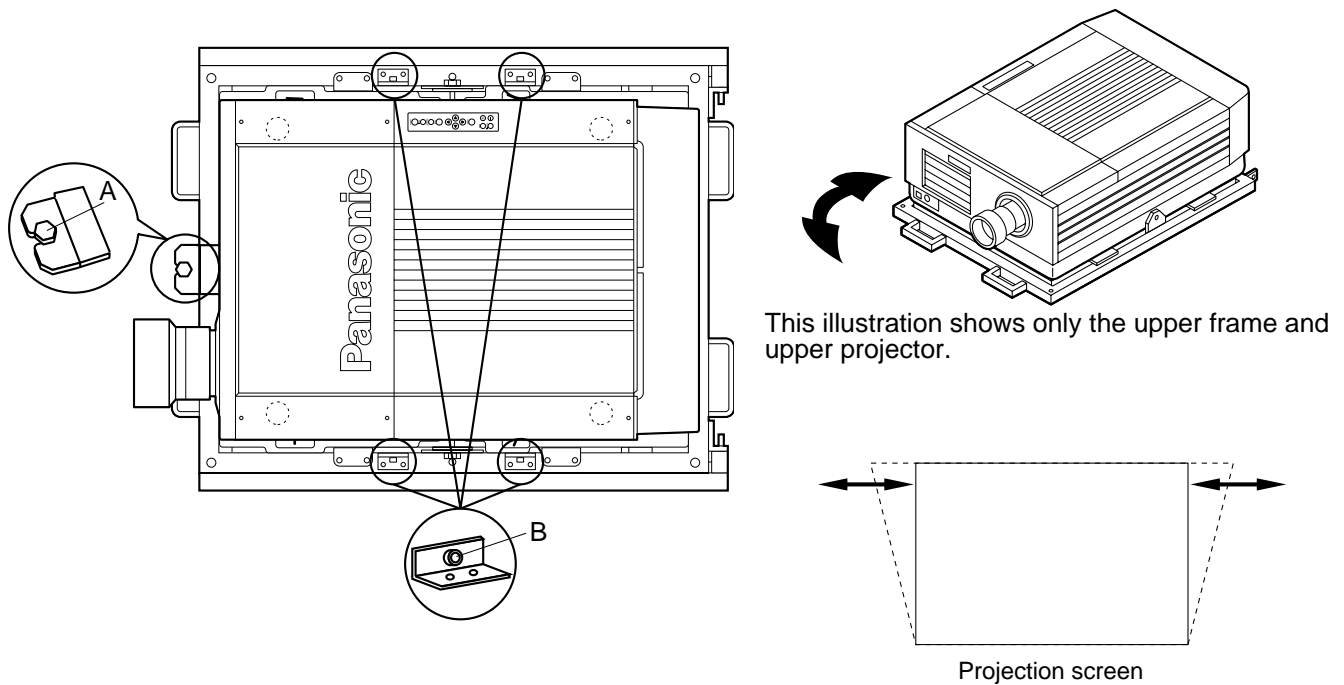
Adjusting upper projector angle

Follow the steps below to adjust the angle of the upper projector so that the image projected on the screen matches that of the lower projector.

- Read the Instruction manual for the DLP (TM) Projector and project an image. Zoom and focus to temporarily adjust the angle.

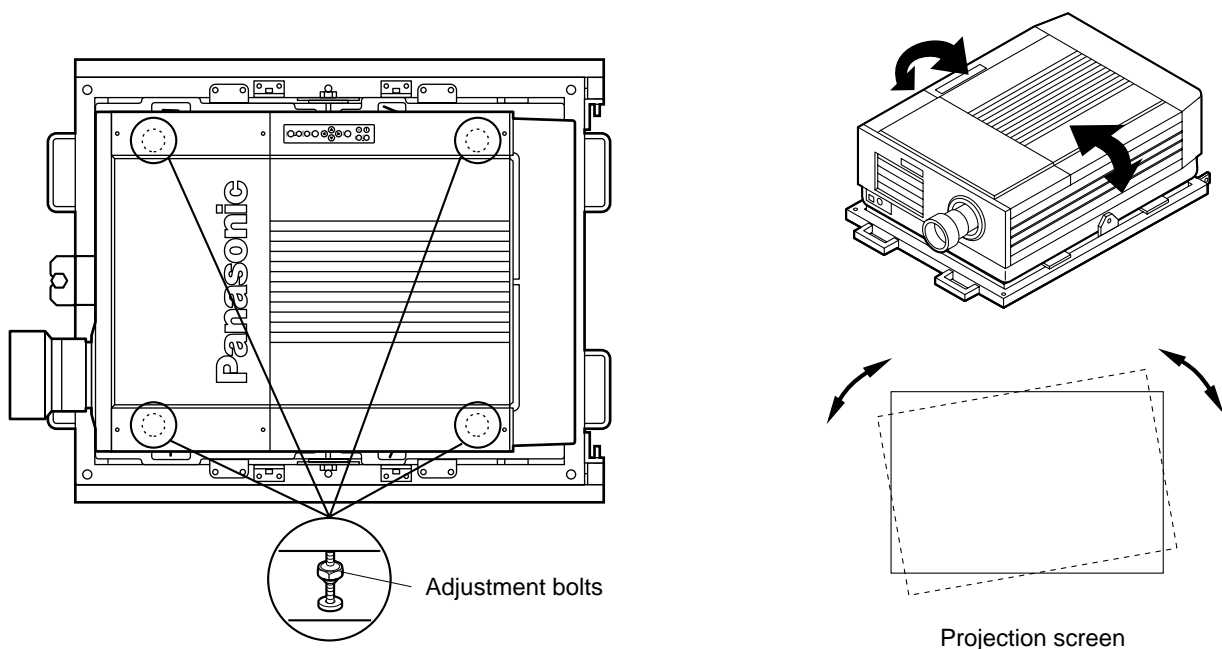
1. Adjusting vertical angle

Loosen the bolt with hex socket in the four locations indicated below as B. Adjust the angle by turning angle adjustment hex bolt A and correct keystone distortion on the projection screen.



2. Adjusting left and right inclination

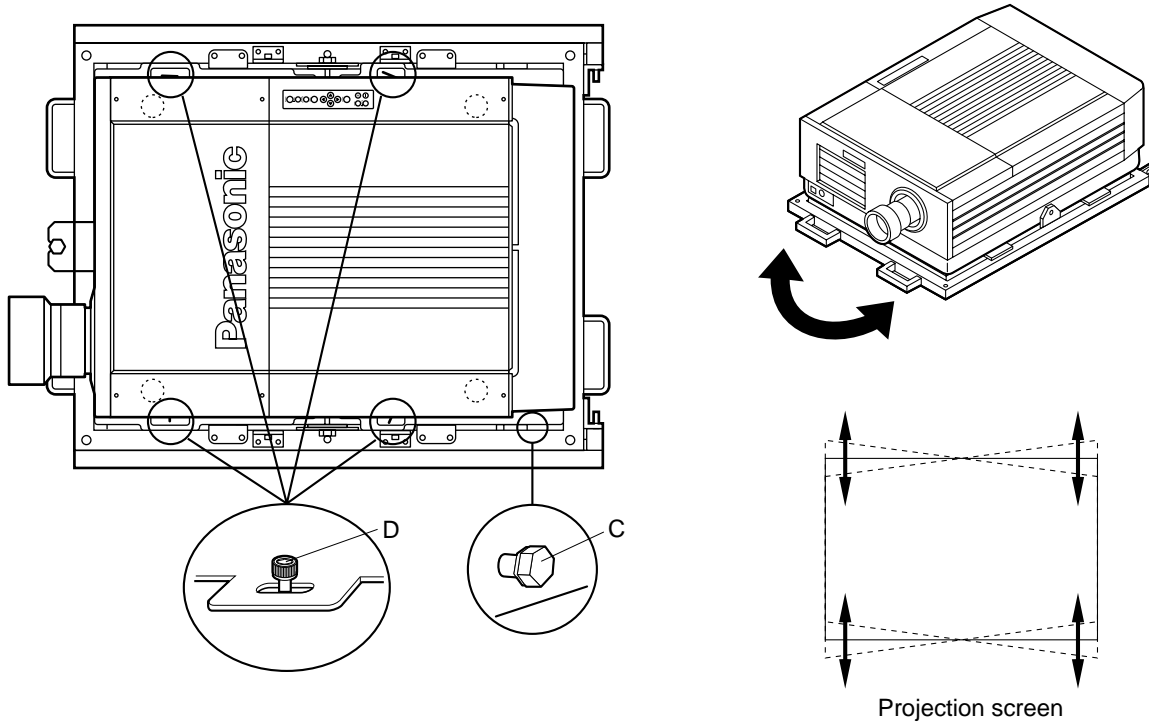
Adjust left and right inclination by turning the adjustment bolts in the adjustment leg holes of the lower projector (four). When turning the adjusting bolts, turn the front and back bolts on the left side and then turn the front and back bolts on the right side in the same amount.



Adjusting upper projector angle (continued)

3. Adjusting left and right horizontal angle

Loosen the 4 bolts with hex sockets in the four locations indicated below as D. Adjust the horizontal angle by turning adjustment hex socket C and correct left and right keystone distortion on the projection screen.



4. Repeat steps 1 to 3 to make fine adjustments.

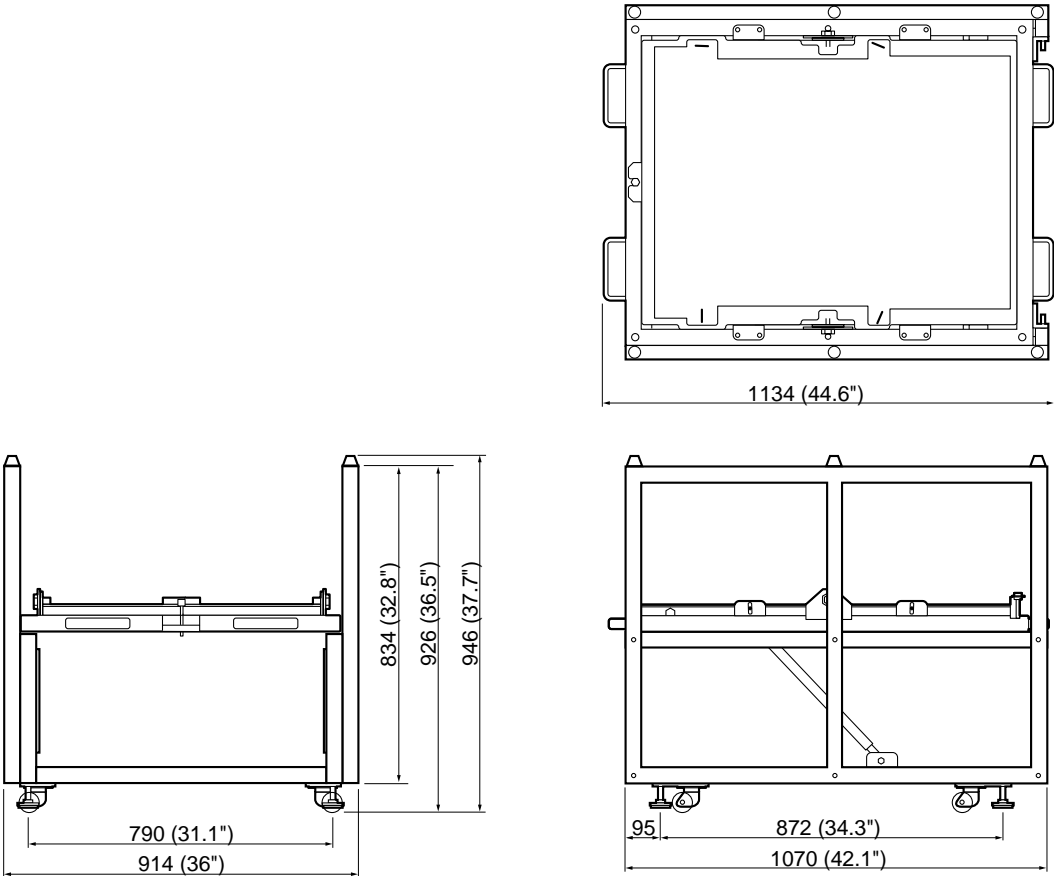
5. When adjustment is done, tightly fix bolts B and D to maintain projector positions.

Specifications

Adjustable range (upper projector only)	Vertical angle correction : $\pm 3^\circ$ Left and right inclination adjustment : $\pm 1^\circ$ Left and right horizontal angle adjustment : $\pm 1.5^\circ$
Assembled dimensions	Width : 914 mm (36") Height : 946 mm (37.2") Depth : 1 134 mm (44.6")
Weight	Weight : 101 kg (222.2 lb)

Outer dimensions

Units: mm/inches



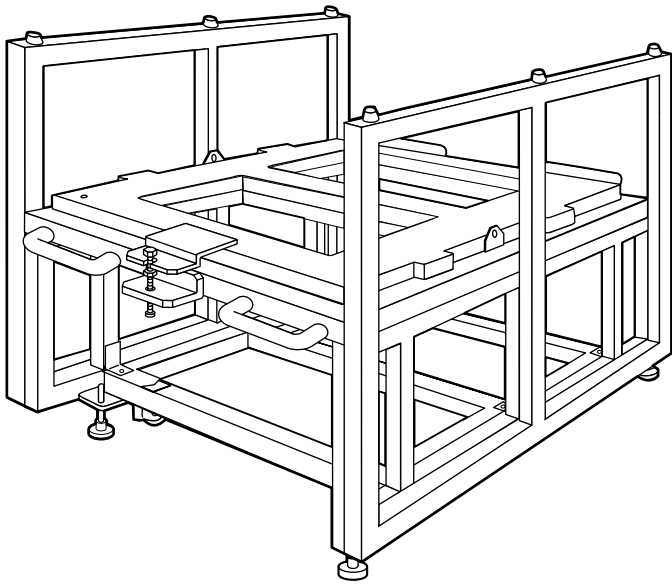
Trademark Acknowledgements

- DLP is a trademark of Texas Instruments.

DLP™方式プロジェクター用デュアル金具 取扱説明書

組み立て・設置・調整説明付き

品番 **TY-DFD95**



もくじ

安全上のご注意	2
本機の構成	3
組み立て完成図	3
投写距離寸法	4
組み立てかた	9
上側プロジェクターの角度調整	15
仕様	17
外形寸法図	18

このたびは、パナソニック DLP™方式プロジェクター用デュアル金具をお買い上げいただき、まことにありがとうございました。

この説明書をよくお読みのうえ、専門技術者が組み立て・設置・調整を行ってください。

本機には指定のDLP™方式プロジェクター以外は取り付けないでください。

安全上のご注意

必ずお守りください

お使いになる人や他の人への危害、財産への物的損害を未然に防止するため、必ずお守りいただくことを、次のように説明しています。

表示内容を無視して誤った使い方をしたときに生じる危害や物的損害の程度を、次の表示で区分し、説明しています。



警告

この表示の欄は、「死亡または重傷を負うことが想定される危害の程度」です。



注意

この表示の欄は、「傷害を負うことが想定されるか、または物的損害の発生が想定される危害・損害の程度」です。

お守りいただく内容の種類を、次の絵表示で区分し、説明しています。

(下記は絵表示の一例です。)



このような絵表示は、気をつけていただきたい「注意」内容です。



このような絵表示は、してはいけない「禁止」内容です。



このような絵表示は、必ず実行していただく「指示」内容です。



警告

取り付け・設置作業は必ず専門の技術者が行ってください



工事の不備により、けがの原因となります。

強度の不足する場所に取り付けない



倒れたりしてけがの原因となります。

禁止

取り付け・設置作業は3人以上で行ってください



本機は、プロジェクターを含めると最大293kg以上となります。取り付け・設置作業は3人以上で行ってください。

不安定な場所に置かない



ぐらついた台の上や傾いた所に置くと倒れたりして、けがの原因となります。

禁止



注意

プロジェクターの吸・排気をさまたげる場所に設置しない



火災の原因となることがあります。

禁止

湿気やほこりの多い所、油煙や湯気、熱の発生する所に設置しない



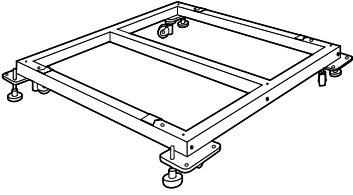
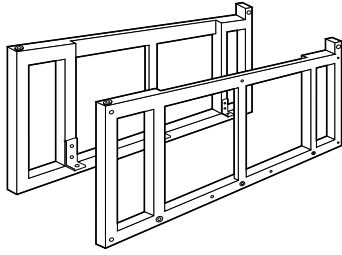


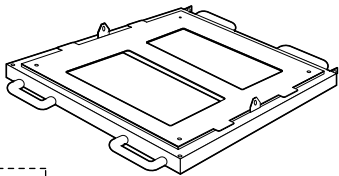
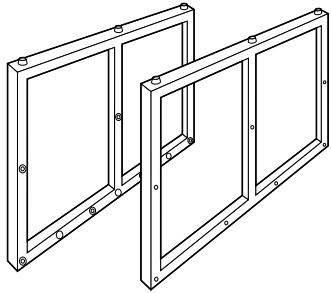
火災の原因となることがあります。

禁止

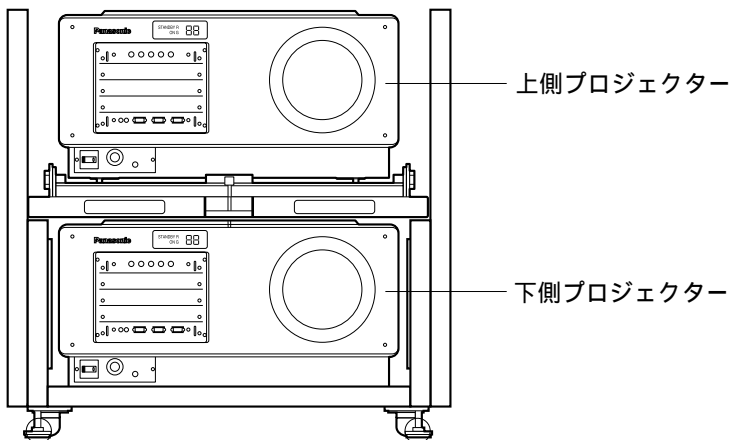
本機の構成

本機はDLP™プロジェクターをデュアル設置する際に必要な専用取り付け金具です。 下図部品で構成されていますので、設置の前に確認してください。

構成部品一覧

<p>ベースフレーム 1個 下側プロジェクターを取り付けます。</p>  <p>ベースフレームと下側プロジェクターを固定するときに使用します。</p> <ul style="list-style-type: none"> ◎ 平ワッシャー (M10) 4個 ◎ スプリングワッシャー (M10) 4個 六角ボルト (M10) 4個 	<p>左右フレーム 各1個 ベースフレームに取り付けた後、上フレームと連結します。</p>  <p>ベースフレームと左右フレームを固定するときに使用します。</p> <ul style="list-style-type: none"> 組み込み六角穴付きボルト (M6×20) 6個 六角穴付きボルト (M8×50) 6個 	<p>ガススプリングユニット 2個 上フレームと左右フレームに取り付け、上側プロジェクターの重量を支えます。</p>  <p>ガススプリングユニットを取り付けるときに使用します。</p>  <p>皿ボルト (M5×10) 8個</p>
<p>上フレーム 1個 上側プロジェクターを取り付けた後、左右フレームと連結します。</p>  <p>上フレームと左右フレームを連結するときに使用します。</p> <ul style="list-style-type: none"> 支点軸 2個 ワッシャー 2個 六角ナット (M12) 2個 スプリングワッシャー (M12) 2個 平ワッシャー (M12) 2個 六角穴付きボルト (M10) 2個 スプリングワッシャー (M10) 2個 平ワッシャー (M10) 2個 <p>上フレームと上側プロジェクターを固定するときに使用します。</p> <ul style="list-style-type: none"> 調整ボルト (M10) 4個 球受け座金 (A) 4個 球受け座金 (B) 3個 球受け座金 (C) 1個 固定ナット (M10) 4個 六角ナット (M10) 4個 スナップピン 4個 	<p>左右ガードフレーム 各1個 上下プロジェクターの取り付け完成後、左右フレームに取り付けます。</p>  <p>左右フレームと左右ガードフレームを固定するときに使用します。</p> <ul style="list-style-type: none"> ◎ 平ワッシャー (M6) 14個 ◎ スプリングワッシャー (M6) 14個 六角穴付きボルト (M6×50) 14個 	

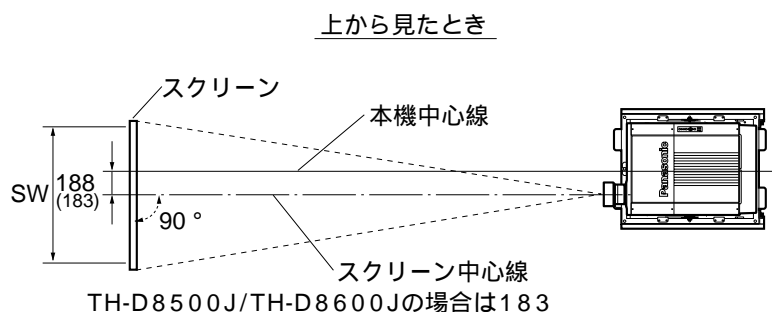
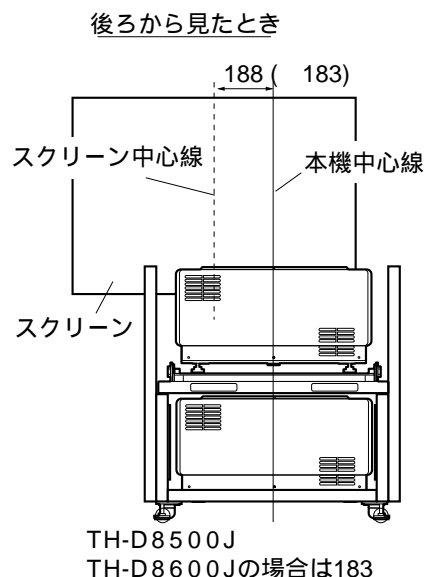
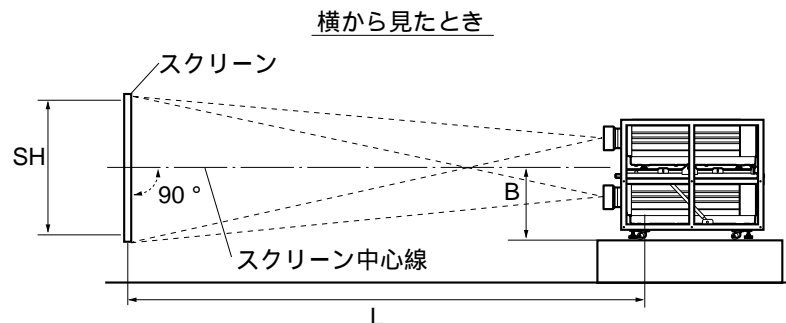
組み立て完成図



投写距離寸法

スクリーンとDLP™プロジェクター間の投写関係寸法は下記の通りです。

•スクリーンとDLP™プロジェクターの設置関係 (単位: mm)



L: 投写距離 (スクリーン~本機前脚のセンター)
B: 上下レンズ間の中心~床距離
562mm

投写レンズ (別売品) がTY-D95LE1, TY-D95LE2, TY-D95LE3, TY-D95LE9
のいずれかの場合 (適用機種はTH-D9500J/TH-D9510J)

投写関係寸法 (スクリーンアスペクト比が4:3の時)

単位: mm

画面 サイズ (型)	スクリーン寸法		投写距離 (L)						
			ズームレンズ						固定焦点レンズ
	有効高さ (SH)	有効幅 (SW)	TY-D95LE1(1.5-2.5:1)		TY-D95LE2(2.5-4.0:1)		TY-D95LE3(4.0-7.0:1)		TY-D95LE9 0.8:1
最小			最大	最小	最大	最小	最大		
100	1524	2032	3261	5197	5270	8221	8196	14142	2 398
120	1829	2438	3870	6203	6279	9833	9820	16976	2 827
150	2286	3048	4784	7713	7792	12251	12257	21227	3 471
180	2743	3658	5698	9223	9305	14669	14693	25478	4 114
200	3048	4064	6307	10229	10314	16281	16318	28312	—
250	3810	5080	7830	12745	12835	20310	20379	35397	—
300	4572	6096	9353	15261	15357	24340	24440	42482	—
350	5334	7112	10876	17777	17879	28369	28501	49567	—
400	6096	8128	12399	20293	20401	32399	32562	56651	—
450	6858	9144	13922	22809	22923	36429	36623	63736	—
500	7620	10160	15445	25325	25445	40458	40684	70821	—
550	8382	11176	16968	27841	27966	44488	44745	77906	—
600	9144	12192	18491	30357	30488	48517	48806	84991	—

お願い •画面サイズが記載されていない場合、近い画面サイズから投写関係寸法を割だしズームレンズで調整してください。

投写距離寸法 (つづき)

投写距離関係寸法 (スクリーンアスペクト比が16 : 9の時)

単位 : mm

画面 サイズ (型)	スクリーン寸法		投写距離 (L)						
			ズームレンズ						固定焦点レンズ
			TY-D95LE1(1.5-2.5:1)		TY-D95LE2(2.5-4.0:1)		TY-D95LE3(4.0-7.0:1)		TY-D95LE9
有効高さ (SH)	有効幅 (SW)	最小	最大	最小	最大	最小	最大	0.8:1	
100	1245	2214	3534	5647	5721	8942	8922	15409	2 589
120	1494	2657	4197	6743	6820	10698	10692	18497	3 057
150	1868	3321	5193	8388	8468	13332	13346	23128	3 758
180	2241	3985	6188	10033	10117	15966	16001	27759	4 459
200	2491	4428	6852	11129	11216	17722	17771	30847	—
250	3113	5535	8511	13870	13963	22112	22195	38565	—
300	3736	6641	10171	16611	16711	26502	26619	46284	—
350	4358	7748	11830	19352	19458	30892	31043	54002	—
400	4981	8855	13489	22094	22205	35282	35467	61721	—
450	5604	9962	15148	24835	24953	39672	39892	69440	—
500	6226	11069	16808	27576	27700	44062	44316	77158	—
550	6849	12176	18467	30317	30448	48452	48740	84877	—

お知らせ •記載の投写距離は、±5%の誤差が発生します。

投写距離寸法 (つづき)

投写レンズ (別売品) がTY-D95LE5, TY-D95LE6, TY-D95LE7, TY-D95LE8
TY-D95LE9のいずれかの場合 (適用機種はTH-D9600J/TH-D9610J)

投写距離関係寸法 (スクリーンアスペクト比が5 : 4の時)

単位 : mm

画面 サイズ (型)	スクリーン寸法		投写距離 (L)								
			ズームレンズ								固定焦点レンズ
	有効高さ (SH)	有効幅	TY-D95LE5(1.5-2.0 : 1)		TY-D95LE6(2.0-2.5 : 1)		TY-D95LE7(2.5-4.0 : 1)		TY-D95LE8(4.0-7.0 : 1)		TY-D95LE9
最短			最長	最短	最長	最短	最長	最短	最長	0.8 : 1	
100	1 586	1 983	3 203	4 194	4 266	5 172	5 033	7 927	8 066	13 905	1 926
120	1 904	2 380	3 814	5 007	5 079	6 165	6 025	9 513	9 654	16 686	2 261
150	2 380	2 975	4 732	6 226	6 299	7 655	7 512	11 891	12 035	20 858	2 763
180	2 856	3 570	5 650	7 444	7 519	9 146	8 999	14 270	14 416	25 029	3 265
200	3 174	3 967	6 261	8 257	8 332	10 139	9 991	15 855	16 004	27 810	3 600
250	3 967	4 959	7 791	10 289	10 365	12 623	12 470	19 820	19 973	34 763	—
300	4 760	5 950	9 320	12 320	12 398	15 107	14 948	23 784	23 941	41 715	—
350	5 554	6 942	10 849	14 352	14 431	17 591	17 427	27 748	27 910	48 668	—
400	6 347	7 934	12 379	16 383	16 464	20 074	19 906	31 712	31 879	55 620	—
450	7 140	8 925	13 908	18 415	18 497	22 558	22 384	35 676	35 847	62 573	—
500	7 934	9 917	15 438	20 446	20 530	25 042	24 863	39 640	39 816	69 525	—
550	8 727	1 0909	16 967	22 478	22 562	27 526	27 342	43 604	43 785	76 478	—
600	9 520	1 1900	18 496	24 509	24 595	30 010	29 820	47 568	47 753	83 430	—

お願い •画面サイズが記載されていない場合、近い画面サイズから投写関係寸法を割だしズームレンズで調整してください。

投写距離関係寸法 (スクリーンアスペクト比が16 : 9の時)

単位 : mm

画面 サイズ (型)	スクリーン寸法		投写距離 (L)								
			ズームレンズ								固定焦点レンズ
	有効高さ (SH)	有効幅	TY-D95LE5(1.5-2.0 : 1)		TY-D95LE6(2.0-2.5 : 1)		TY-D95LE7(2.5-4.0 : 1)		TY-D95LE8(4.0-7.0 : 1)		TY-D95LE9
最短			最長	最短	最長	最短	最長	最短	最長	0.8 : 1	
100	1 245	2 214	3 558	4 666	4 738	5 748	5 609	8 848	8 987	15 519	2 120
120	1 494	2 657	4 241	5 572	5 645	6 857	6 715	10 617	10 759	18 623	2 494
150	1 868	3 321	5 265	6 933	7 007	8 520	8 375	13 272	13 417	23 279	3 055
180	2 241	3 985	6 289	8 293	8 368	10 184	10 035	15 926	16 074	27 935	3 615
200	2 491	4 428	6 971	9 200	9 276	11 292	11 142	17 696	17 846	31 038	—
250	3 113	5 535	8 678	11 468	11 545	14 065	13 908	22 120	22 276	38 798	—
300	3 736	6 641	10 385	13 735	13 814	16 837	16 674	26 544	26 705	46 557	—
350	4 358	7 748	12 092	16 002	16 082	19 609	19 441	30 968	31 134	54 317	—
400	4 981	8 855	13 799	18 269	18 351	22 381	22 207	35 393	35 564	62 076	—
450	5 604	9 962	15 506	20 537	20 620	25 153	24 974	39 817	39 993	69 836	—
500	6 226	11 069	17 213	22 804	22 889	27 925	27 740	44 241	44 422	77 595	—
550	6 849	12 176	18 919	25 071	25 158	30 697	30 506	48 665	48 852	85 355	—

お知らせ •記載の投写距離は、± 5 %の誤差が発生します。

投写距離寸法 (つづき)

投写レンズ (別売品) がTY-D95LE1, TY-D95LE2, TY-D95LE3, TY-D95LE9
のいずれかの場合 (適用機種はTH-D8500J)

投写関係寸法 (スクリーンアスペクト比が4:3の時)

単位: mm

画面 サイズ (型)	スクリーン寸法		投写距離 (L)						
			ズームレンズ						固定焦点レンズ
	有効高さ (SH)	有効幅 (SW)	TY-D95LE1(1.5-2.5:1)		TY-D95LE2(2.5-4.0:1)		TY-D95LE3(4.0-7.0:1)		TY-D95LE9 0.8:1
最短			最長	最短	最長	最短	最長		
100	1 524	2 032	3 261	5 197	5 270	8 221	8 196	14 142	2 398
120	1 829	2 438	3 870	6 203	6 279	9 833	9 820	16 976	2 827
150	2 286	3 048	4 784	7 713	7 792	12 251	12 257	21 227	3 471
180	2 743	3 658	5 698	9 223	9 305	14 669	14 693	25 478	4 114
200	3 048	4 064	6 307	10 229	10 314	16 281	16 318	28 312	—
250	3 810	5 080	7 830	12 745	12 835	20 310	20 379	35 397	—
300	4 572	6 096	9 353	15 261	15 357	24 340	24 440	42 482	—
350	5 334	7 112	10 876	17 777	17 879	28 369	28 501	49 567	—
400	6 096	8 128	12 399	20 293	20 401	32 399	32 562	56 651	—
450	6 858	9 144	13 922	22 809	22 923	36 429	36 623	63 736	—
500	7 620	10 160	15 445	25 325	25 445	40 458	40 684	70 821	—
550	8 382	11 176	16 968	27 841	27 966	44 488	44 745	77 906	—
600	9 144	12 192	18 491	30 357	30 488	48 517	48 806	84 991	—

お願い •画面サイズが記載されていない場合、近い画面サイズから投写関係寸法を割だしズームレンズで調整してください。

投写距離関係寸法 (スクリーンアスペクト比が16:9の時)

単位: mm

画面 サイズ (型)	スクリーン寸法		投写距離 (L)						
			ズームレンズ						固定焦点レンズ
	有効高さ (SH)	有効幅 (SW)	TY-D95LE1(1.5-2.5:1)		TY-D95LE2(2.5-4.0:1)		TY-D95LE3(4.0-7.0:1)		TY-D95LE9 0.8:1
最短			最長	最短	最長	最短	最長		
100	1 245	2 214	3 534	5 647	5 721	8 942	8 922	15 409	2 589
120	1 494	2 657	4 197	6 743	6 820	10 698	10 692	18 497	3 057
150	1 868	3 321	5 193	8 388	8 468	13 332	13 346	23 128	3 758
180	2 241	3 985	6 188	10 033	10 117	15 966	16 001	27 759	4 459
200	2 491	4 428	6 852	11 129	11 216	17 722	17 771	30 847	—
250	3 113	5 535	8 511	13 870	13 963	22 112	22 195	38 565	—
300	3 736	6 641	10 171	16 611	16 711	26 502	26 619	46 284	—
350	4 358	7 748	11 830	19 352	19 458	30 892	31 043	54 002	—
400	4 981	8 855	13 489	22 094	22 205	35 282	35 467	61 721	—
450	5 604	9 962	15 148	24 835	24 953	39 672	39 892	69 440	—
500	6 226	11 069	16 808	27 576	27 700	44 062	44 316	77 158	—
550	6 849	12 176	18 467	30 317	30 448	48 452	48 740	84 877	—

お知らせ •記載の投写距離は、±5%の誤差が発生します。

投写距離寸法 (つづき)

投写レンズ (別売品) がTY-D95LE1, TY-D95LE2, TY-D95LE3, TY-D95LE9
のいずれかの場合 (適用機種はTH-D8600J)

投写関係寸法 (スクリーンアスペクト比が5 : 4の時)

単位 : mm

画面 サイズ (型)	スクリーン寸法		投写距離 (L)						
			ズームレンズ						固定焦点レンズ
	有効高さ (SH)	有効幅	TY-D95LE1(1.5-2.5 : 1)		TY-D95LE2(2.5-4.0 : 1)		TY-D95LE3(4.0-7.0 : 1)		TY-D95LE9
最短			最長	最短	最長	最短	最長		
100	1 587	1 983	3 145	5 006	5 078	7 915	7 887	13 603	2 316
120	1 904	2 380	3 731	5 974	6 048	9 465	9 449	16 329	2 729
150	2 380	2 975	4 610	7 426	7 504	11 791	11 793	20 418	3 348
180	2 856	3 570	5 489	8 878	8 959	14 117	14 137	24 507	3 967
200	3 173	3 967	6 075	9 846	9 929	15 667	15 700	27 233	—
250	3 967	4 959	7 540	12 267	12 355	19 543	19 606	34 049	—
300	4 760	5 950	9 005	14 687	14 781	23 420	23 513	40 864	—
350	5 554	6 942	10 470	17 107	17 207	27 296	27 419	47 679	—
400	6 347	7 934	11 935	19 527	19 633	31 172	31 326	54 494	—
450	7 140	8 925	13 400	21 948	22 059	35 048	35 232	61 310	—
500	7 934	9 917	14 866	24 368	24 485	38 925	39 139	68 125	—
550	8 727	10 909	16 331	26 788	26 910	42 401	43 045	74 940	—
600	9 520	11 900	17 796	29 209	29 336	46 677	46 951	81 756	—

お願い ●画面サイズが記載されていない場合、近い画面サイズから投写関係寸法を割だしズームレンズで調整してください。

投写距離関係寸法 (スクリーンアスペクト比が16 : 9の時)

単位 : mm

画面 サイズ (型)	スクリーン寸法		投写距離 (L)						
			ズームレンズ						固定焦点レンズ
	有効高さ (SH)	有効幅	TY-D95LE1(1.5-2.5 : 1)		TY-D95LE2(2.5-4.0 : 1)		TY-D95LE3(4.0-7.0 : 1)		TY-D95LE9
最短			最長	最短	最長	最短	最長		
100	1 245	2 214	3 486	5 568	5 641	8 815	8 794	15 186	2 556
120	1 494	2 657	4 140	6 648	6 724	10 546	10 538	18 229	3 017
150	1 868	3 321	5 121	8 269	8 349	13 142	13 155	22 793	3 708
180	2 241	3 985	6 102	9 890	9 974	15 737	15 771	27 357	4 399
200	2 491	4 428	6 756	10 971	11 057	17 468	17 515	30 400	—
250	3 113	5 535	8 391	13 672	13 764	21 795	21 875	38 007	—
300	3 736	6 641	10 027	16 374	16 472	26 121	26 235	45 614	—
350	4 358	7 748	11 662	19 075	19 180	30 448	30 595	53 221	—
400	4 981	8 855	13 297	21 777	21 887	34 774	34 956	60 828	—
450	5 604	9 962	14 932	24 478	24 595	39 101	39 316	68 435	—
500	6 226	11 069	16 568	27 180	27 303	43 427	43 676	76 042	—
550	6 849	12 176	18 203	29 881	30 010	47 754	48 036	83 648	—

お知らせ ●記載の投写距離は、±5%の誤差が発生します。

組み立てかた

本機の組み立て、DLP™プロジェクターの取り付けは次の手順で行ってください。

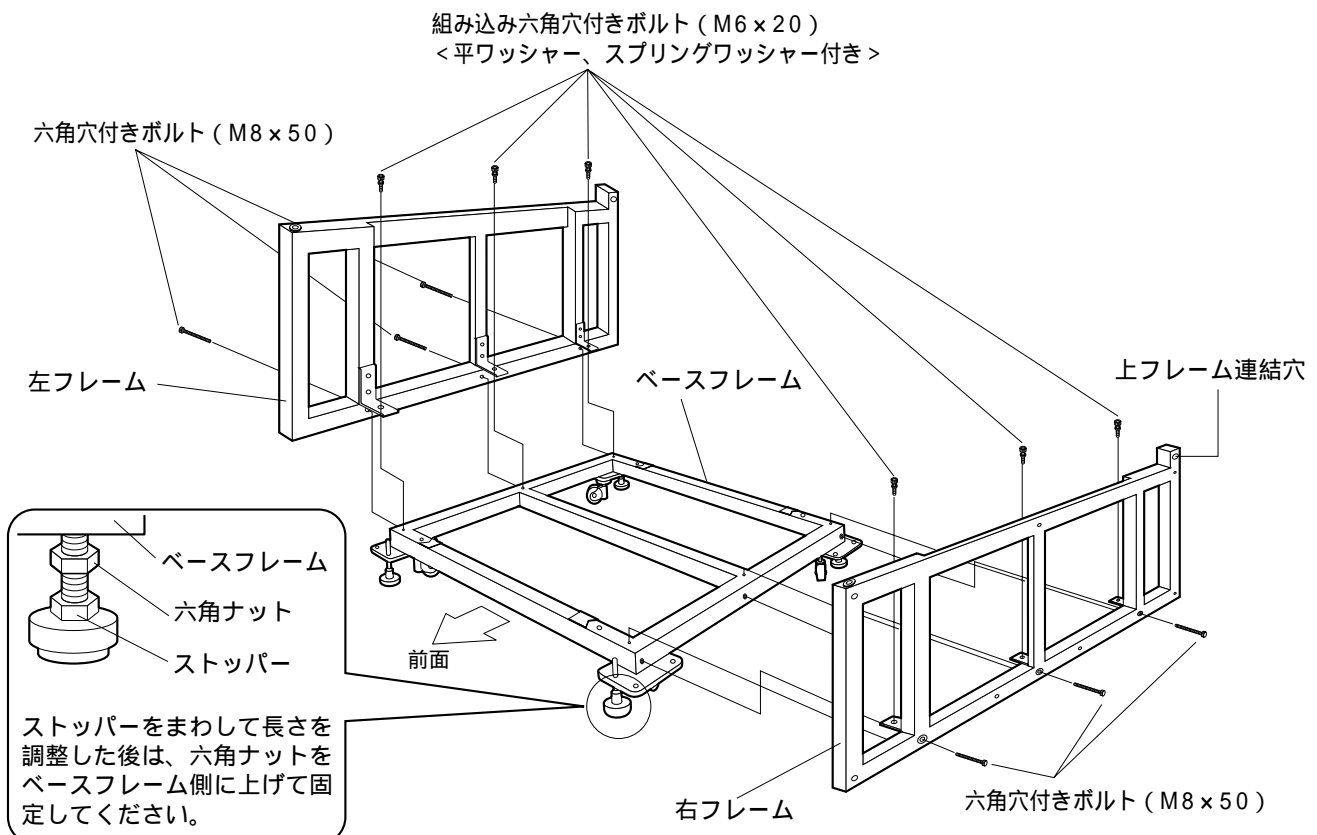
- 1 ベースフレームと左、右フレームを組み立てる
- 2 下側プロジェクターをベースフレームに取り付ける
- 3 ガススプリングユニットを左、右フレームに取り付ける
- 4 上側プロジェクターを上フレームに取り付ける
- 5 上フレームを取り付けた上側プロジェクターを左、右フレームとガススプリングユニットに取り付ける
- 6 左、右ガードフレームを取り付ける

組み立て手順

- 1 ベースフレームと左、右フレームを組み立てる

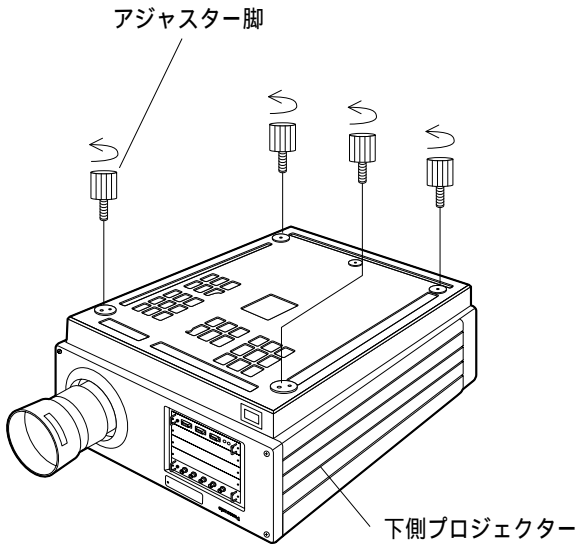
- 1 ベースフレーム（前後の方向性はなし）に左、右フレームを前後の方向（上フレーム連結穴のある方が後側）に注意して下図のように取り付け、「組み込み六角穴付きボルト」（M6×20）＜平ワッシャー、スプリングワッシャー付き＞、および六角穴付きボルト（M8×50）で固定します。

お願い ・本機を組み立てるときは、ベースフレームにある移動止めストッパー（4箇所）をまわして、ベースフレームが動かないようにしてください。

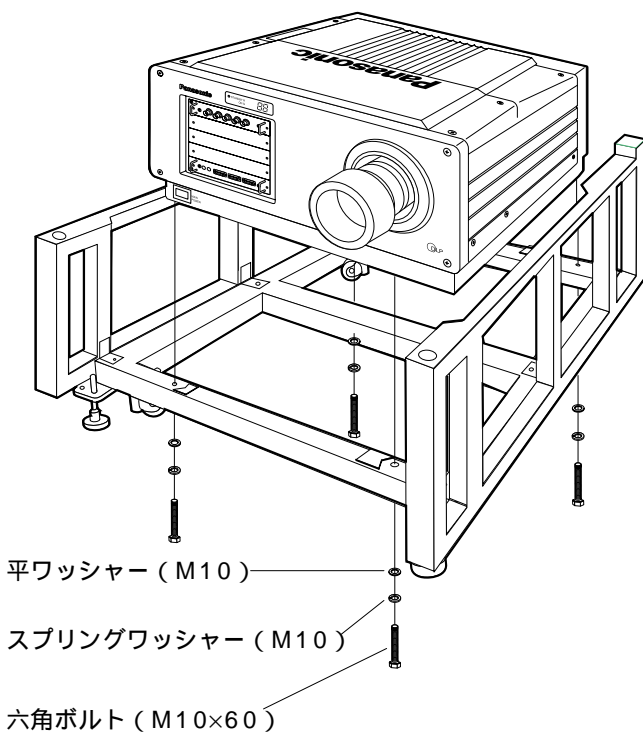
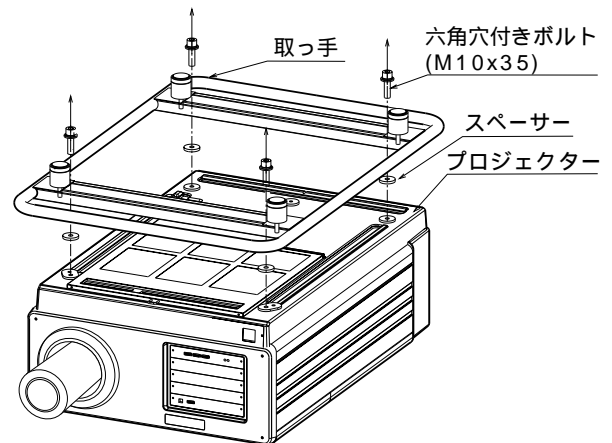


組み立てかた (つづき)

2 下側プロジェクターをベースフレームに取り付ける



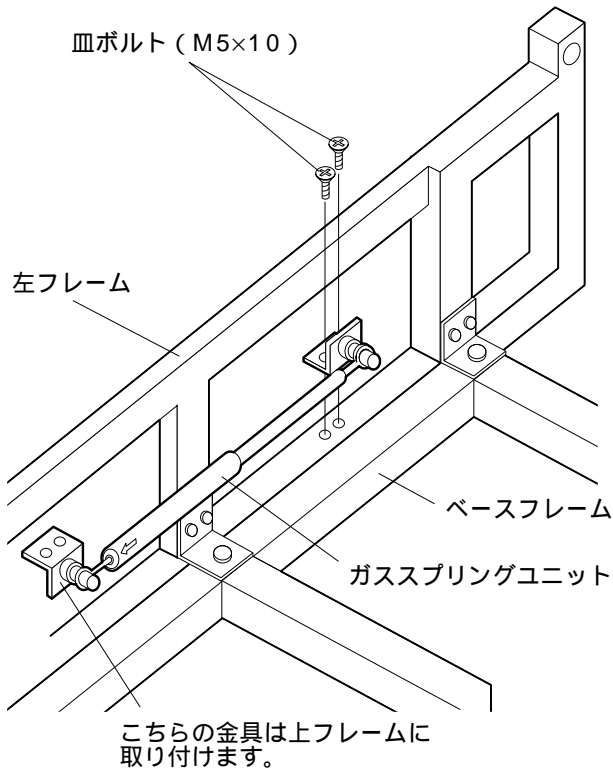
- 1 デュアル金具の下側に取り付けるDLP™プロジェクターを柔らかい布等の上に底面を上にして置いてください。
- 2 アジャスター脚 (4コ) を左に回して取り外します。尚、ご使用機種がTH-D9510J/TH-D9610J場合は、下図のように取っ手を固定している六角穴付きボルト (M10×35, 4コ) を外し、取っ手とスペーサー (4コ) を取り外します。



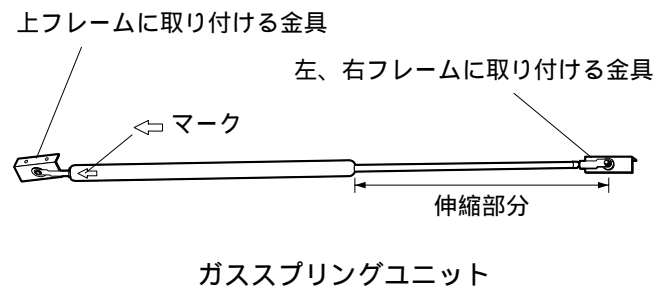
- 3 DLP™プロジェクターを上下反転させ、底面が下になるように戻します。
- 4 1で組み立てたベースフレームにDLP™プロジェクターを置き、アジャスター脚の穴 (4箇所) に左図のようにベースフレームの下側から、平ワッシャー (M10)、スプリングワッシャー (M10) 六角ボルト (M10×60) で固定します。

組み立てかた (つづき)

3 ガススプリングユニットを左・右フレームに取り付ける



- 1 左フレームにガススプリングユニットの下側金具を「皿ボルト」(M5×10)で左図のように固定します。右フレームにも同じ要領でガススプリングユニットを固定します。

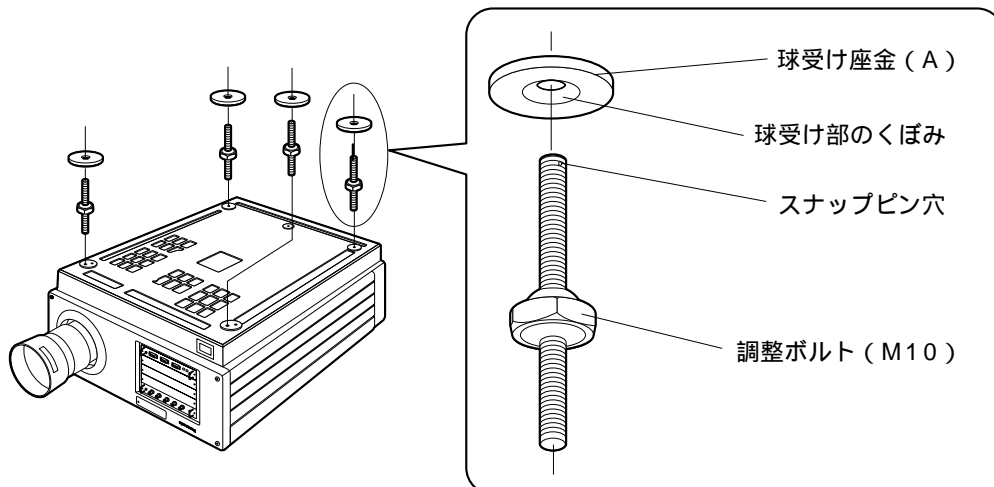


お願い

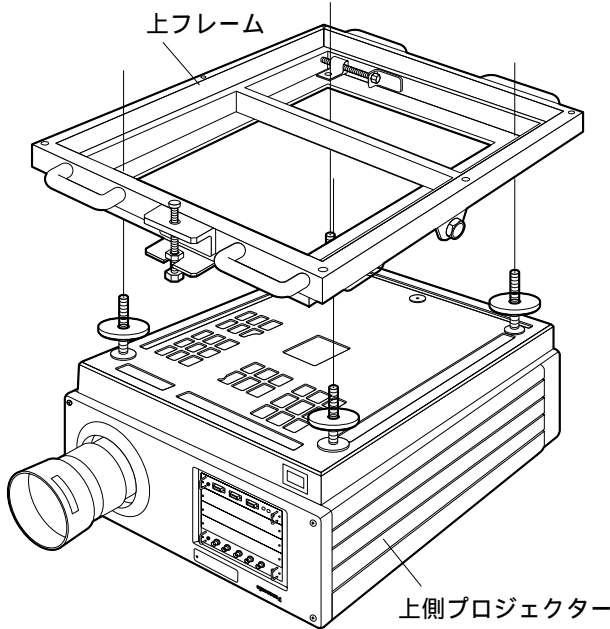
- ガススプリングユニットの上フレーム側には ← マークが表示してあります。取り付け時にはこのマークを確認してください。

4 上側プロジェクターに上フレームを取り付ける

- 1 10ページを参照して上側DLP™プロジェクターのアジャスター脚(4コ)を取り外します。(TH-D9510J/TH-D9610Jの場合は取っ手を取り外します)
- 2 アジャスター脚の穴(TH-D9510J/TH-D9610Jの場合は取っ手の固定穴)に調整ボルト(M10)、球受け座金(A)を下図のように取り付けます。

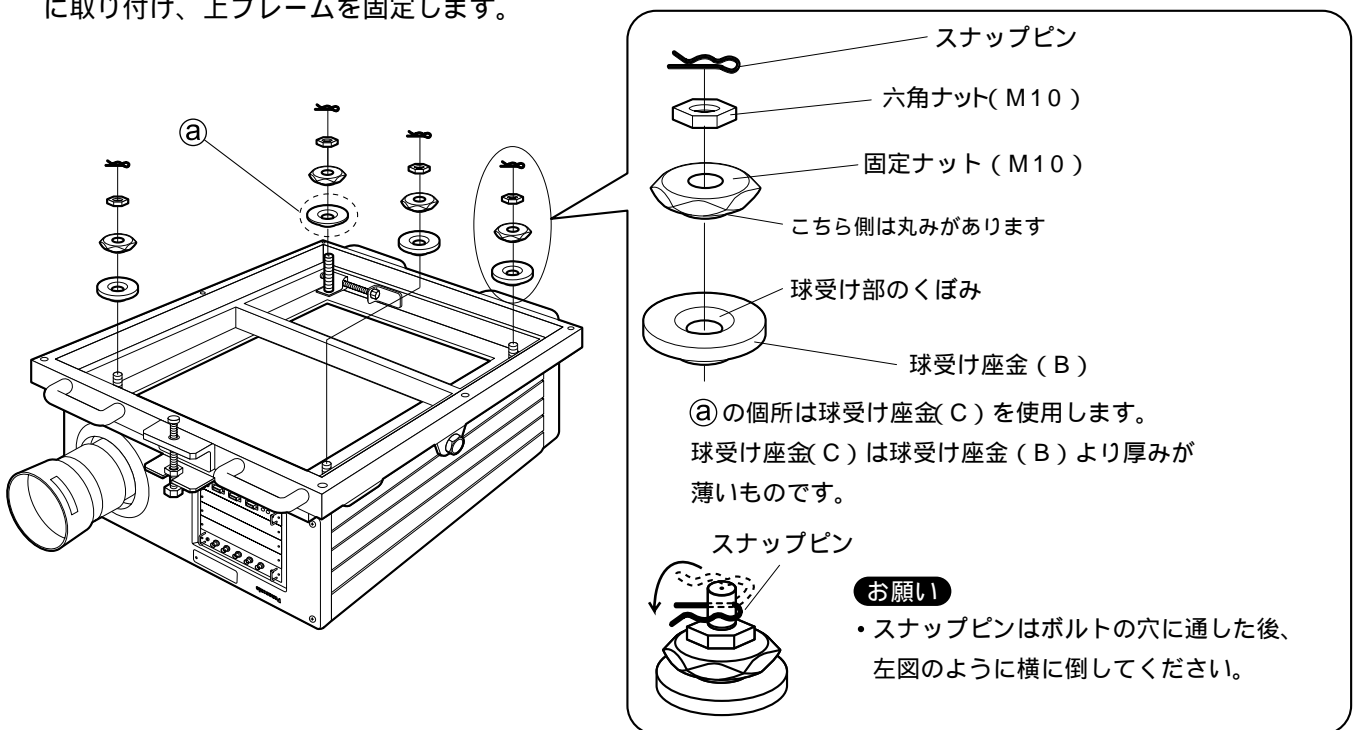


組み立てかた (つづき)

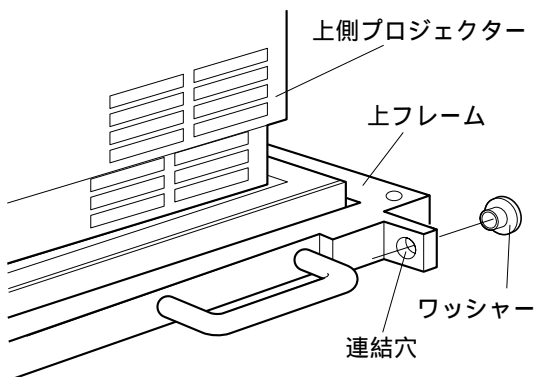


- 3 上フレームを左図のように調整ボルトにはめ込みます。

- 4 球受け座金 (B)、球受け座金 (C)、固定ナット (M10)、六角ナット (M10)、スナップピンを下図のように取り付け、上フレームを固定します。



- 5 上フレームを取り付けた上側プロジェクターを左、右フレームとガススプリングユニットに取り付ける

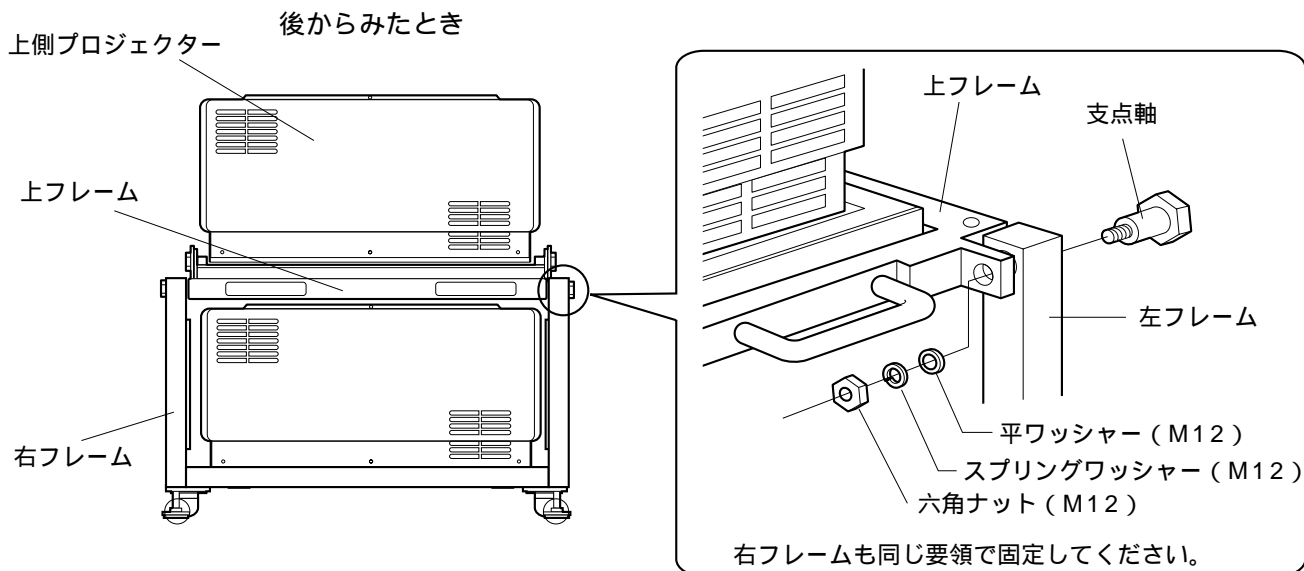


- 1 上フレームを取り付けた上側プロジェクターを上下反転させ、底面が下になるように戻し、左図のように上フレームの連結穴にワッシャーを挿入します。

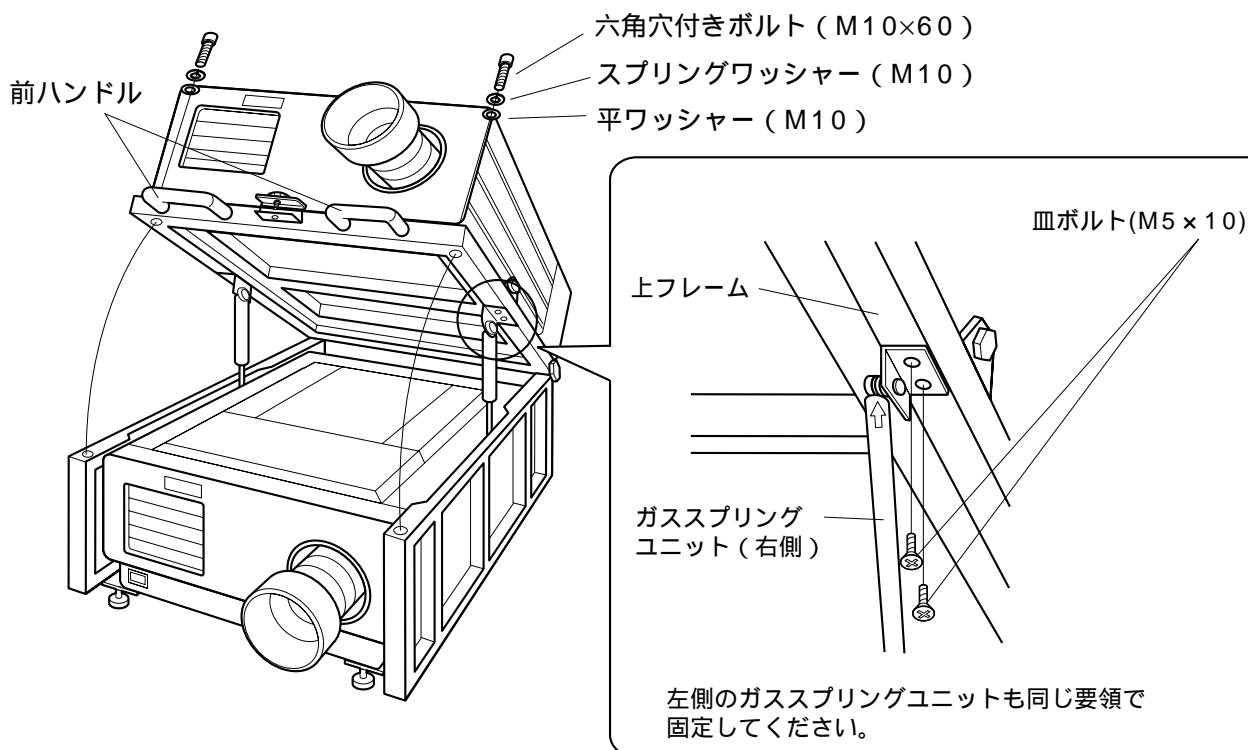
反対側の連結穴も同じ要領でワッシャーを挿入してください。

組み立てかた (つづき)

- 2 下図のように、上フレームを取り付けた上側プロジェクターを左、右フレームに乗せ、上フレームの連結穴と左、右フレームの連結穴を合わせ、支点軸、平ワッシャー (M12)、スプリングワッシャー (M12)、六角ナット (M12) で固定します。



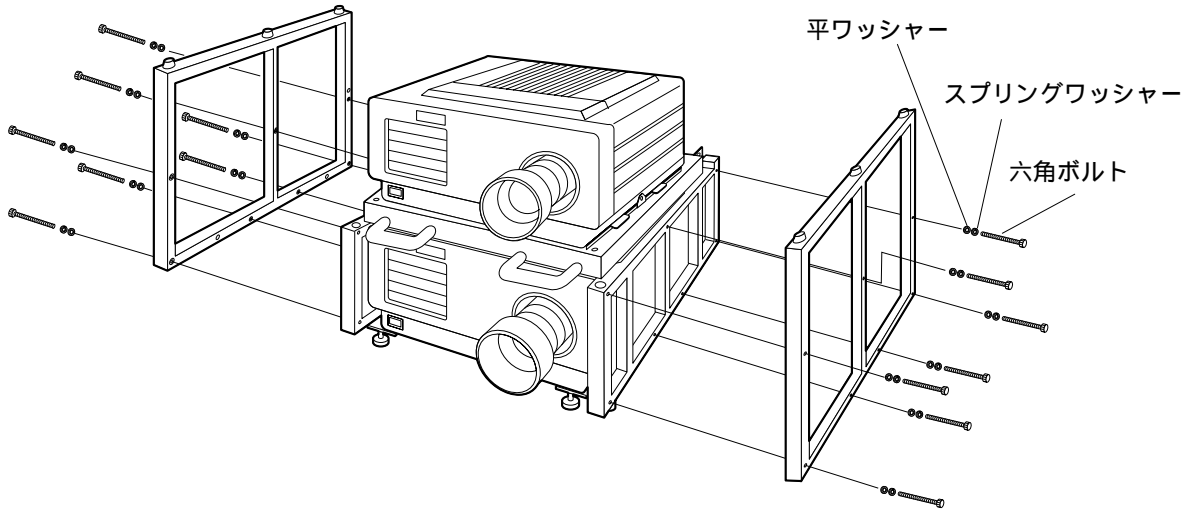
- 3
- 下図のように上フレームの前ハンドルを持ち上げ、左、右のガススプリングユニットの上側金具を「皿ボルト」(M5×10)で上フレームに固定します。
 - ガススプリングユニットを固定したら再び前ハンドルを下げ、上フレームを降ろし、六角穴付きボルト (M10×60)、平ワッシャー (M10)、スプリングワッシャー (M10)で上フレームと左、右フレームを固定します。



組み立てかた (つづき)

6 左、右ガードフレームを取り付ける

- 1 下図のように左、右ガードフレームを「組み込み六角穴付きボルト」(M6×50)、平ワッシャー(M6)、スプリングワッシャー(M6)で左、右フレームに固定します。



⚠ 注意



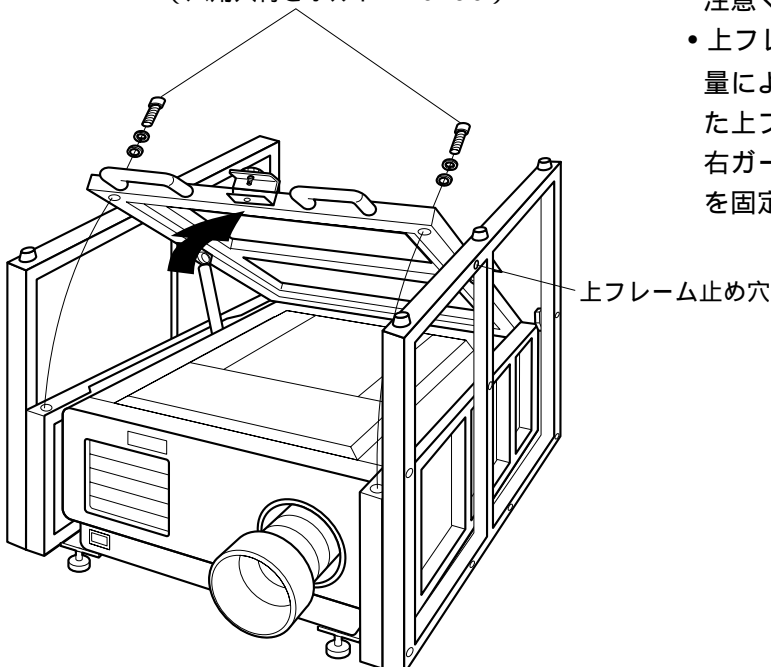
禁止

上フレームと左、右フレームの固定ボルトを外すときは、上フレームの上方に顔などを近づけないけがの原因になります。

お願い

- 本機は上側プロジェクターを取り付けた上フレームを容易に持ち上げられるように、ガススプリングユニットを取り付けています。ガススプリングユニットはプロジェクターの重量によりゆっくりと上フレームを持ち上げますが、点検などで上側プロジェクターを取り付けていない場合は荷重が軽くなり、上フレームが跳ね上がりますので、上側プロジェクターのない状態で上フレームと左右フレームの固定ボルトを外す場合には、上フレームの上方に顔や身体を近づけないようご注意ください。
- 上フレームを持ち上げた状態ではプロジェクターの重量により下がってくる場合がありますので、取り外した上フレーム・左右フレーム固定ボルトを利用して左右ガードフレームの上フレーム止め穴から上フレームを固定してください。

上フレーム、左右フレーム固定ボルト
(六角穴付きボルトM10×60)



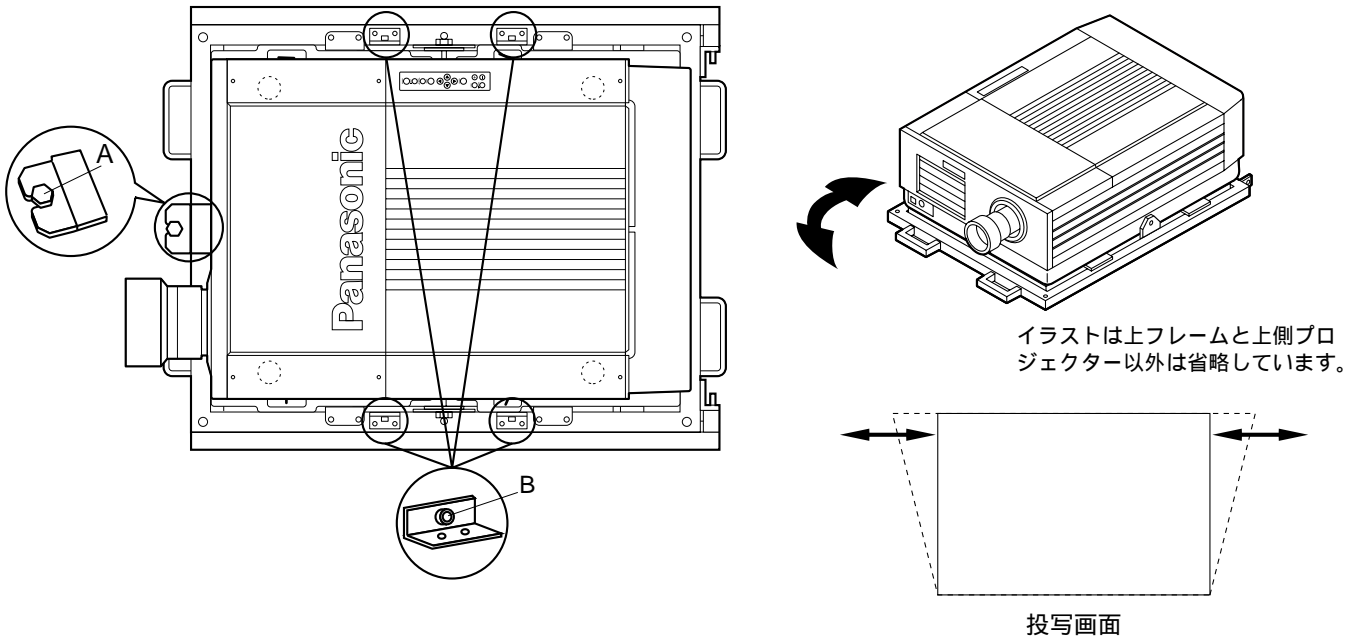
上側プロジェクターの角度調整

下記の手順にしたがって、下側プロジェクターの投写画面に上側プロジェクターの投写画面を合わせるよう、上側プロジェクターの角度調整を行います。角度調整は上側プロジェクターのみ可能です。

- DLP™プロジェクターの取扱説明書をご参照のうえ、プロジェクターから映像を投写し、ズームやフォーカスで画像サイズとフォーカスの仮調整をしてから、角度調整を行ってください。

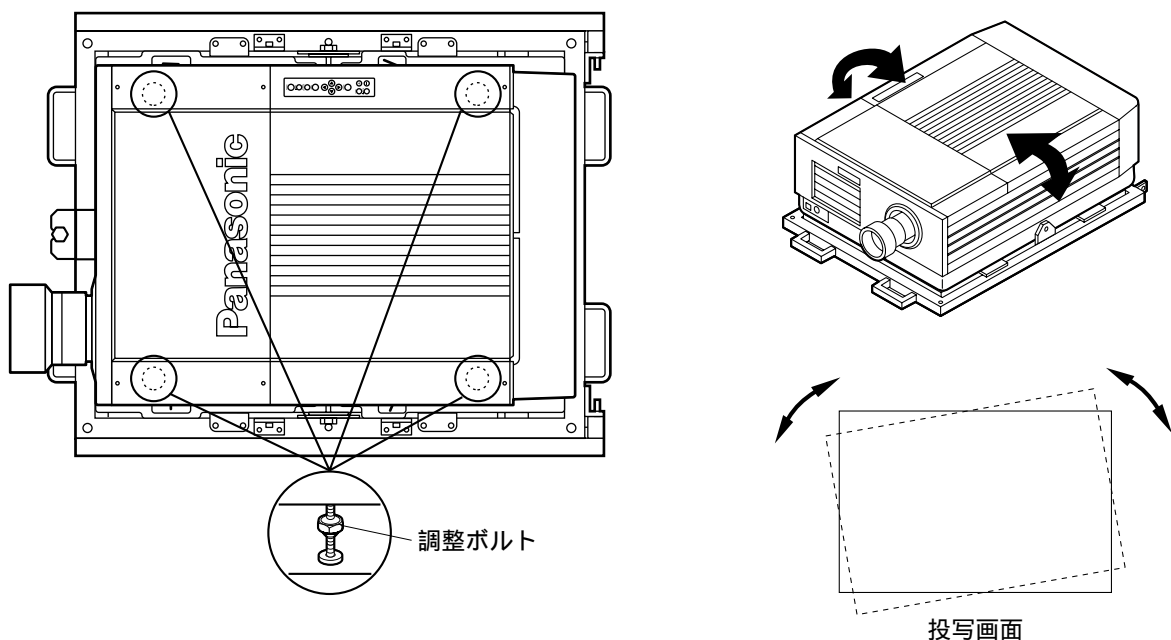
(1) 上下角度調整

下図の4カ所のBの六角穴付きボルトをゆるめ、Aの調整用六角ボルトをまわして上下角度の調整をし、投写画面の上下キーストン歪みを補正します。



(2) 左右傾き調整

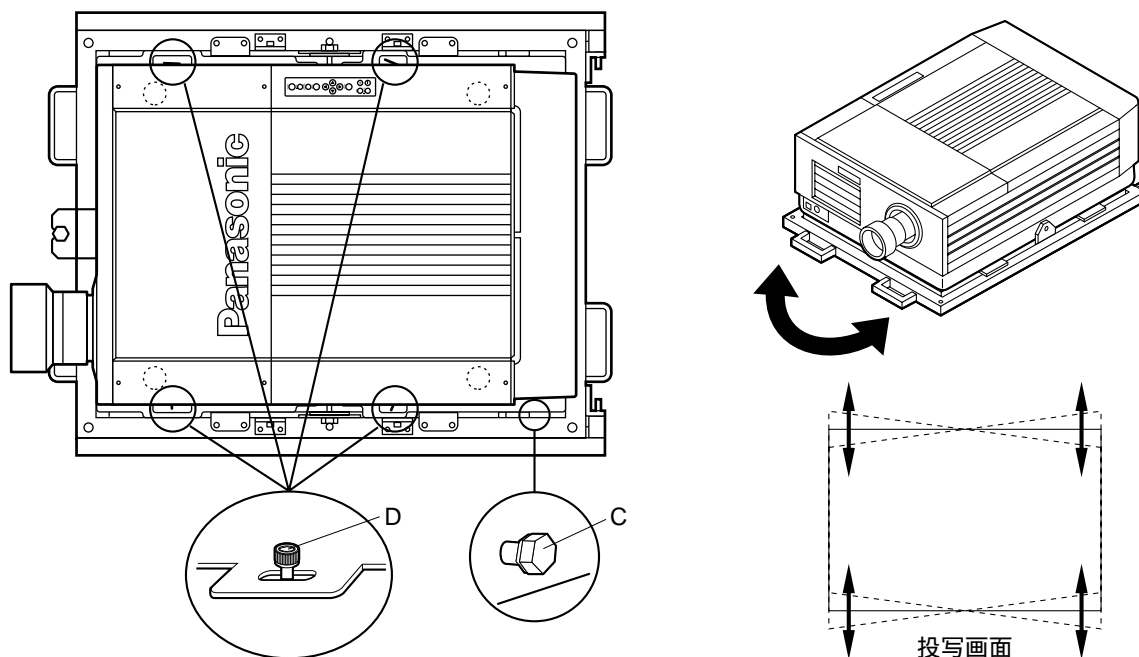
プロジェクターのアジャスター脚の穴に挿入している調整ボルト4カ所をまわして左右傾きを調整し、投写画面の回転歪みを補正します。調整ボルトは左側の前後、右側の前後を同時に同じだけまわしてください。対角の調整ボルトを回すとプロジェクターのねじれが生じます。



上側プロジェクターの角度調整 (つづき)

(3) 左右水平角度の調整

下図の4カ所のDの六角穴付きボルトをゆるめ、Cの調整用六角ボルトをまわして左右の水平角度を調整をし、投写画面の左右キーストン歪みを補正します。



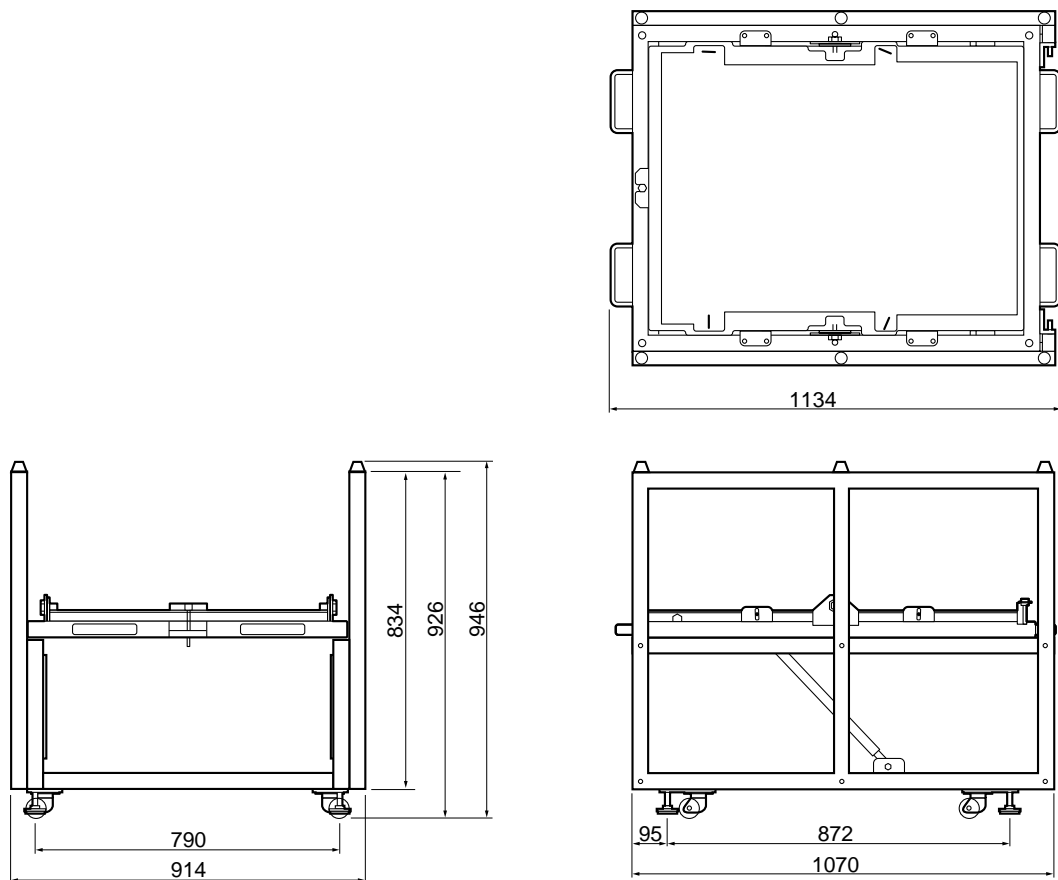
(4) (1) ~ (3) の手順を繰り返し調整し、合わせ込みます。

(5) 調整が完了したら、B、Dの各ボルトをしっかりと締めて、調整がずれないように固定します。

仕様

調整範囲 (上側のプロジェクターのみ調整可能)	上下補正角度： $\pm 3^\circ$ 左右傾き補正角度： $\pm 1^\circ$ 左右水平補正角度： $\pm 1.5^\circ$
組み立て外形寸法	横幅914mm 高さ946mm 奥行1134mm
質量	101kg

外形寸法図



(単位：mm)

商標について

- DLPはTexas Instrumentsの商標です
なお、各社の商標および製品商標に対しては特に注記のない場合でも、これを十分尊重いたします。

松下電器産業株式会社 システム事業グループ

〒571-8503 大阪府門真市松葉町2番15号 ☎(06)6901-1161

M0701-3122