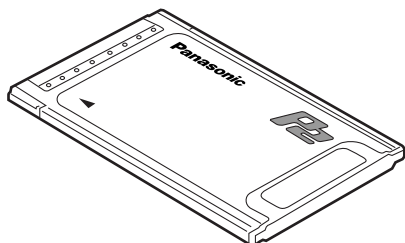


Panasonic®

Operating Instructions/Bedienungsanleitung Mode d'emploi/Istruzioni per l'uso Instrucciones de funcionamiento 操作手册/取扱説明書

Video Encoder Card/Video-Encoder-Karte
Carte pour encodeur vidéo/Scheda di codifica video
Tarjeta codificadora de video
视频编码卡/ビデオエンコーダカード



Model No. AJ-**YAX800**G

ENGLISH

DEUTSCH

FRANÇAIS

ITALIANO

ESPAÑOL

中
文

日
本
語

GPL/LGPL

Before operating this product, please read the instructions carefully and save this manual for future use.

Bitte lesen Sie diese Bedienungsanleitung vor der Inbetriebnahme dieses Produkts aufmerksam durch, und bewahren Sie sie für späteres Nachschlagen auf.

Avant d'utiliser l'appareil, lire attentivement ce mode d'emploi, et le conserver à des fins de référence ultérieure.

Prima di far funzionare questo prodotto, leggere attentamente le istruzioni e conservare questo manuale per riferimenti futuri.

Antes de utilizar este producto, lea cuidadosamente las instrucciones y guarde este manual por si tiene que utilizarlo en el futuro.

在操作本机之前，请仔细阅读本说明书，并将说明书妥善保管，以备将来使用。

お買い上げいただき、まことにありがとうございました。

この取扱説明書をよくお読みのうえ、正しくお使いください。

特に「安全上のご注意」は、ご使用前に必ずお読みいただき、安全にお使いください。

お読みになったあとは、保証書と一緒に大切に保管し、必要なときにお読みください。

FCC NOTICE (USA)

This device complies with Part 15 of FCC Rules.

Operation is subject to the following two conditions:

(1) This device may not cause harmful interference, and (2) this device must accept any interference received, including interference that may cause undesired operation.

To assure continued compliance, follow the attached installation instructions and do not make any unauthorized modifications.

CAUTION:

This equipment has been tested and found to comply with the limits for a Class B digital device, pursuant to Part 15 of the FCC Rules. These limits are designed to provide reasonable protection against harmful interference in a residential installation. This equipment generates, uses and can radiate radio frequency energy and, if not installed and used in accordance with the instructions, may cause harmful interference to radio communications. However, there is no guarantee that interference will not occur in a particular installation. If this equipment does cause harmful interference to radio or television reception, which can be determined by turning the equipment off and on, the user is encouraged to try to correct the interference by one of the following measures:

- Reorient or relocate the receiving antenna.
- Increase the separation between the equipment and receiver.
- Connect the equipment into an outlet on a circuit different from that to which the receiver is connected.
- Consult the dealer or an experienced radio/TV technician for help.

The user may find the booklet "Something About Interference" available from FCC local regional offices helpful.

FCC Warning:

Any unauthorized changes or modifications to this equipment could void the user's authority to operate this device.

NOTIFICATION (Canada)

This class B digital apparatus complies with Canadian ICES-003.

Cet appareil numérique de la classe B est conforme à la norme NMB-003 du Canada.

- To avoid fire, electric shock, damage or malfunction to your equipment, do not disassemble or remodel.
- Immediately stop using the card if you notice smoke, strange smells or sounds, or if liquid gets into the card.

- Use of DCF Technologies under license from Multi-Format, Inc.
- This product is licensed under the MPEG-4 Visual patent portfolio license for the personal and non-commercial use of a consumer for (i) encoding video in compliance with the MPEG-4 Visual Standard (“MPEG-4 Video”) and/or (ii) decoding MPEG-4 Video that was encoded by a consumer engaged in a personal and non-commercial activity and/or was obtained from a video provider licensed by MPEG LA to provide MPEG-4 Video. No license is granted or shall be implied for any other use. Additional information including that relating to promotional, internal and commercial uses and licensing may be obtained from MPEG LA, LLC.
See <http://www.mpegla.com/>

Software information for this product

Customer advisory: This product includes software licensed under the GNU General Public License (GPL) and GNU Lesser General Public License (LGPL); customers have the right to download, modify, and redistribute source code for this software.

Details on GPL and LGPL can be found in the GPL and LGPL sections of this manual. The description is the original (written in English).

To download the relevant source code, visit <http://panasonic.biz/sav/>.

Please note that we cannot answer any questions you may have about the content, etc. of any source code you may obtain from the above Web site.

Table of contents

Handling and storage precautions . . . 2	PROXY menu 7
Features 3	Recording on SD memory cards . . . 10
Product composition 3	Checking proxy data 11
How to remove the card from its case 3	Errors in proxy recording 12
Installing a P2 PROXY card 4	Specifications 14
Checking operations 5	

Handling and storage precautions

- To avoid fire, electric shock, damage to or malfunction of your equipment, do not subject to impact, bend, drop, or expose to moisture.
- After removing the card from equipment, immediately attach the cap to it to protect its terminals from dust and grime.
When storing the card or carrying it around, keep it in its protective case.
- Do not leave the card where it may be exposed to corrosive gases.
- Do not remove this card from a Memory Card Camera-Recorder during proxy data recording. Do not turn off the power of the Memory Card Camera-Recorder or remove batteries during proxy data recording.
Such actions will delete the proxy data that are being recorded.
- For assistance with installation of this card in Memory Card Camera-Recorders that support proxy recording, contact your distributor or designated service provider.

Features

The AJ-YAX800G (“P2 PROXY card”) is a PC card type video encoder card (same shape as a P2 card).

It can create a compressed data file from material recorded with a Memory Card Camera-Recorder (“P2 cam”), and store that file separately from the original material.

Files created with this function include an audiovisual file that is compressed using the MPEG4 format, and a real-time metadata file (time code, user’s bit and UMID information). These can be stored on P2 cards or SD memory cards.

Material recorded with a P2 cam can be stored as data files, which are of smaller capacity than the original material.

Product composition

- P2 PROXY card×1
- Cap×1
- Case×1

How to remove the card from its case

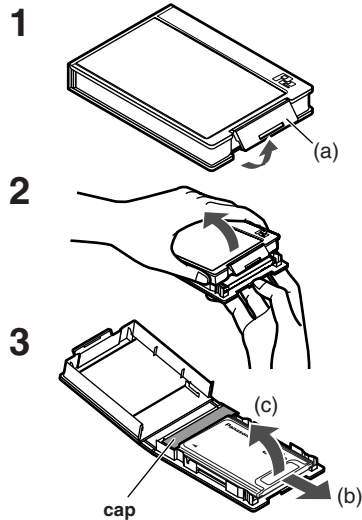
1 Release the lock in area (a).

2 Open the case.

- While removing the card, hold the case in the direction shown in the figure so that the card will not fall onto the floor or ground.
- To avoid damaging the case, do not attempt to open it by holding area (a).

3 Remove the card.

- To remove only the card, slide it in direction (b).
- To remove the card with the cap, lift it in direction (c) while at the same time pushing it in the cap direction.



Installing a P2 PROXY card

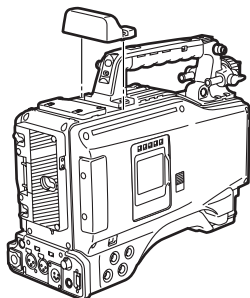
Insert a P2 PROXY card into the OPTION slot of the P2 cam.

Note that the card should be inserted in P2 card slot No. **5** if another card is already inserted in the OPTION slot.

Inserting a card into the OPTION slot

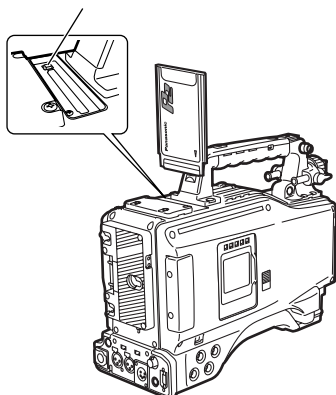
1 Turn off the P2 cam.
A P2 PROXY card will not be recognized if it is inserted in the camera while the power is on.

2 Remove the two screws, and lift off the cover of the OPTION slot.



3 Confirm that the eject button is depressed, and then insert a P2 PROXY card into the slot.

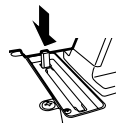
EJECT button



4 Replace the cover of the OPTION slot, and refasten with the two screws.

Removing the P2 PROXY card from the OPTION slot

1 Press the eject button, and confirm that the button has popped-up.

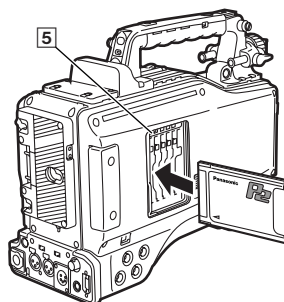


2 Press the eject button again.
This operation releases the P2 PROXY card. Remove it from the slot.

Inserting a P2 PROXY card into the P2 card slot

Please be sure to insert the P2 PROXY card in the No. **5** slot. Proxy data recording will not be performed if the P2 PROXY card is inserted in a different slot.

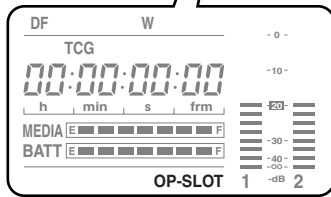
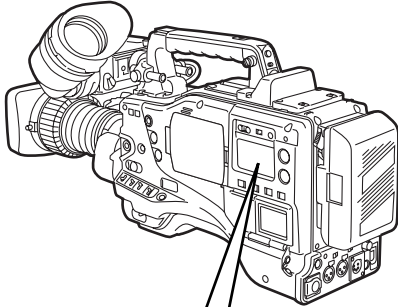
For more information about inserting cards, see the P2 cam's instruction manual.



Checking operations

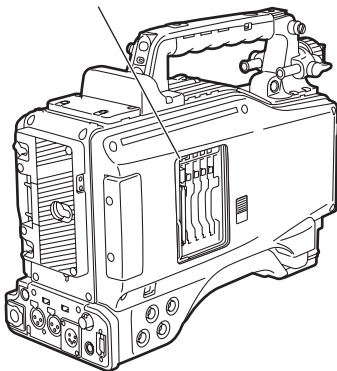
Turn on the P2 cam to confirm that the P2 PROXY card is operating.

- When a P2 PROXY card is inserted in the OPTION slot and it is recognized properly, the display window of the P2 cam displays “OP-SLOT”.



- When a P2 PROXY card is inserted in P2 card slot No. **5** and it is recognized properly, the access LED flashes in orange.

Access LED

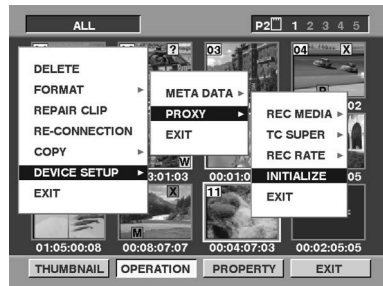


For first-time use of a P2 PROXY card with a P2 cam, the card needs to be initialized from the PROXY menu.

Initializing a P2 PROXY card

- 1 Insert a P2 PROXY card into the P2 cam, and turn on the power.
- 2 Press the THUMBNAIL button to display the thumbnail screen.
- 3 Press the MENU BAR button to move the pointer to the menu bar.
- 4 Select OPERATION → DEVICE SETUP → PROXY → INITIALIZE → YES using the cursor buttons and the SET button.

This completes initialization.



Checking operations (continued)

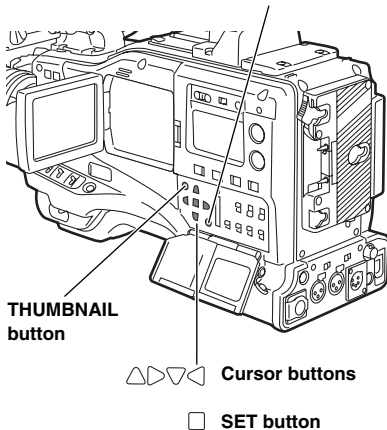
Checking on the thumbnail screen

- 1 Press the THUMBNAIL button to display the thumbnail screen.
- 2 Press the MENU BAR button to move the pointer to the menu bar.
- 3 Press the cursor button to move the pointer to "PROPERTY", and press the SET button.
- 4 Press the cursor button to move the pointer to "DEVICES", and press the SET button.
- 5 Press the cursor button to move the pointer to "PROXY", and press the SET button.

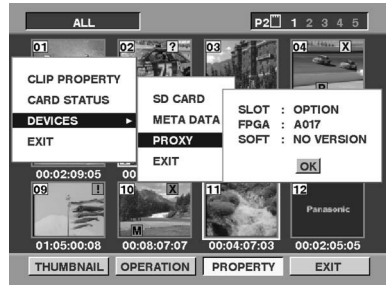
"SOFT: NO VERSION" message is displayed. This does not indicate an error, but results from the fact that with proxy data recording the version is reflected.

ENGLISH

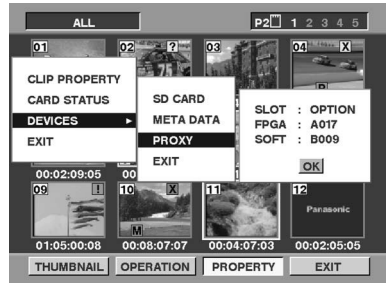
MENU BAR button



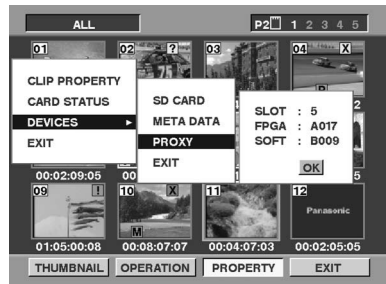
When the power is ON



After recording of proxy data (OPTION slot)



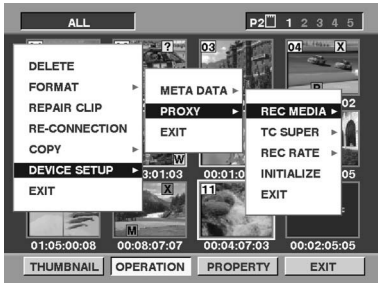
(P2 card slot No. [5])



PROXY menu

Setting the menu

- 1 Insert a P2 PROXY card into the P2 cam, and turn on the power.
- 2 Press the THUMBNAIL button to display the thumbnail screen.
- 3 Press the MENU BAR button to move the pointer to the menu bar.
- 4 Select OPERATION → DEVICE SETUP → PROXY using the cursor buttons and the SET button.
- 5 Select menu items and specify values using the cursor buttons and the SET button.



PROXY Menu

Items	Adjustable Range
REC MEDIA	OFF P2 P2&SD
Select media for proxy data recording. OFF: No proxy data are recorded. P2: Proxy data are recorded on the P2 card. P2&SD: Proxy data are recorded on both the P2 card and the SD memory card. <ul style="list-style-type: none"> ● Voice memo is recorded on both the P2 card and the SD memory card, if you record a voice memo during proxy data recording. ● If you record a voice memo after proxy data recording finishes, voice memo is recorded on the P2 card only. 	
TC SUPER	OFF UPPER LOWER
Specify an option for superimposing the time code display on the video recorded as proxy data. OFF: Time code display is not superimposed on the recorded video. UPPER: Time code display is superimposed on the upper area of the recorded video. LOWER: Time code display is superimposed on the lower area of the recorded video.	
REC RATE	192kbps 768kbps 1500 kbps
Specify the recording rate for proxy data recording.	
INITIALIZE	_____
Initializes the PROXY menu and the setting data in the P2 cam. <ul style="list-style-type: none"> ● Be sure to perform this initialization the first time you insert a P2 PROXY card in a P2 cam that supports proxy recording. 	

The _____ in the Adjustable Range column indicates the initial value.

PROXY menu (continued)

■ Proxy data are not recorded during operation in the following modes:

- IEEE1394 digital recording
- INTERVAL REC
- LOOP REC

■ To display information captured by proxy data recording on the viewfinder of the P2 cam, select “ON” as the “PROXY REC” menu item from the <VF INDICATOR2> screen of the menu VF page of the P2 cam. Either “PROXY REC P2” or “PROXY REC P2&SD” will be displayed at the beginning of the recording.

■ If the proxy data are recorded on the P2 card during shooting of material, the recording time may be shorter than the time indicated in the P2 card’s instruction manual.

■ During PROXY menu setting, the P2 cam cannot perform any of the recording operations.

Recording rate and recording signals (Video and audio)

Recording rate	Video (QVGA)	Audio
192 kbps	NTSC (525i) 15 frames/sec PAL (625i) 12.5 frames/sec	Monaural (Mixture of CH1 and CH2), 32 kbps/ch
768 kbps	NTSC (525i) 30 frames/sec PAL (625i) 25 frames/sec	Stereo (CH1•CH2), 64 kbps/ch
1500 kbps	NTSC (525i) 30 frames/sec PAL (625i) 25 frames/sec	Stereo (CH1•CH2), 64 kbps/ch

Recording rate indicates the recording rate for video signals.

PROXY menu (continued)

Proxy recording in 24P/24PA mode [Applicable only to NTSC (525i)]

When the operating mode of the P2 cam is set to 24P (2:3) or 24PA (2:3:3:2) for proxy recording, the 5-frame sequence will be as follows, depending on the recording rate:

Recording rate: 768 kbps, 1500 kbps

24P (2:3)

Sequence No.	0	1	2	3	4					
Images of original material	0	<u>0</u>	1	<u>1</u>	1	<u>2</u>	2	<u>3</u>	3	<u>3</u>
Images of proxy recording	0	1	1	2	3					

- Underline indicates images of the second field.

24PA (2:3:3:2)

Sequence No.	0	1	2	3	4					
Images of original material	0	<u>0</u>	1	<u>1</u>	1	<u>2</u>	2	<u>2</u>	3	<u>3</u>
Images of proxy recording	0	1	1	2	3					

Recording rate: 192 kbps

If the recording rate is 192 kbps, the 5-frame sequence will not be performed correctly.

24P (2:3)

Sequence No.	0	1	2	3	4	0	1	2	3	4										
Images of original material	0	<u>0</u>	1	<u>1</u>	1	<u>2</u>	2	<u>3</u>	3	<u>3</u>	4	<u>4</u>	5	<u>5</u>	5	<u>6</u>	6	<u>7</u>	7	<u>7</u>
Images of proxy recording	0		1		3		5		6											

24PA (2:3:3:2)

Sequence No.	0	1	2	3	4	0	1	2	3	4										
Images of original material	0	<u>0</u>	1	<u>1</u>	1	<u>2</u>	2	<u>2</u>	3	<u>3</u>	4	<u>4</u>	5	<u>5</u>	5	<u>6</u>	6	<u>6</u>	7	<u>7</u>
Images of proxy recording	0		1		3		5		6											

Recording on SD memory cards

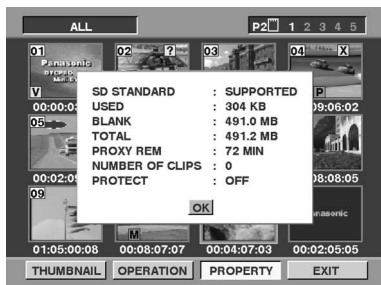
For proxy data recording, 256 MB, 512 MB or 1 GB SD memory cards with “High Speed” indication should be used. For more information, please visit:
<http://panasonic.biz/sav/p2>

For proxy data recording, format the SD memory card, using a P2 cam.

- SD memory cards formatted under the SD standard on a PC can also be used.
- For more information about handling of SD memory cards, see the P2 cam’s instruction manual.

Checking an SD Memory Card

- 1 Insert an SD memory card into the P2 cam.
- 2 Press the THUMBNAIL button to display the thumbnail screen.
- 3 Press the MENU BAR button to move the pointer to the menu bar.
- 4 Select PROPERTY → DEVICES → SD CARD, using the cursor buttons and the SET button.



- Format status is displayed under “SD STANDARD” item.
If “NOT SUPPORTED” is displayed, format the card using the P2 cam.
- Check the remaining free space for proxy data recording under the current recording rate setting, by selecting the “PROXY REM” item.
- Check the number of clips recorded on the SD memory card by selecting the “NUMBER OF CLIPS” item.
If the recorded number of clips exceeds 1,000, proxy data recording will not be performed, even if the SD memory card still has free space.
- If the material is recorded across multiple P2 cards, the number of clips displayed on the thumbnail screen will differ from the number of clips of proxy data recorded on the SD memory card.
- Shot mark cannot be added to the clips on the SD memory card by pressing the SHOT MARK button on the P2 cam.
- Proxy data recorded on the SD memory card will not be deleted by deletion of the clips recorded on the P2 card from the thumbnail screen of the P2 cam.

Recording on SD memory cards (continued)

Formatting an SD memory card

- 1 Insert an SD memory card into the P2 cam.
- 2 Press the THUMBNAIL button to display the thumbnail screen.
- 3 Press the MENU BAR button to move the pointer to the menu bar.
- 4 Select OPERATION → FORMAT → SD CARD → YES, using the cursor buttons and the SET button.

This completes formatting of the SD memory card.

Approximate recording time for proxy data recording

Part No. and capacity of SD memory cards	Recording rate and recording time		
	192 kbps	768 kbps	1500 kbps
RP-SDH256N1A (256 MB)	Approximately 137 minutes	Approximately 35 minutes	Approximately 19 minutes
RP-SDH512N1A (512 MB)	Approximately 278 minutes	Approximately 71 minutes	Approximately 39 minutes
RP-SDH512J1A (512 MB)	Approximately 237 minutes	Approximately 69 minutes	Approximately 38 minutes
RP-SDH0G1J1A (1 GB)	Approximately 536 minutes	Approximately 139 minutes	Approximately 77 minutes
RP-SDK0G1J1A (1 GB)	Approximately 536 minutes	Approximately 139 minutes	Approximately 77 minutes

Actual recording time depends on the recording conditions (number of scenes, voice memos, and clips.)

<Note>

If the "REC MEDIA" menu item on the PROXY menu is set to "P2&SD", but proxy data recording is not performed on the SD memory card, "SD CARD WRITE ERR" message is displayed at the beginning of the recording. If this happens, check the SD memory card. For more information, see "Errors in proxy recording" (page 12).

Checking proxy data

- [P] indicator is displayed for clips of material that incorporates proxy data.
- Proxy data are recorded on a P2 card and/or to an SD memory card as an audiovisual file and a real-time metadata file.

Audiovisual file:

xxxxxxxx.MP4

The data conform to the ISO/IEC14496 standard.

Real-time metadata file:

xxxxxxxx.BIN

Time code, user's bit and UMID information are recorded for each frame.

Check the proxy data using the P2 viewer.

For further information on the P2 viewer, please visit:

<http://panasonic.biz/sav/p2>

Errors in proxy recording

If an error occurs during proxy data recording, refer to the following for the appropriate action:

Error display	Operation and causes	Action
Viewfinder: TURN POWER OFF Display window: E-30	Proxy data recording stops. <ul style="list-style-type: none"> Either the P2 card or the P2 PROXY card is removed during recording. 	Turn off the P2 cam and then turn it on again, to perform recording and playback operations for checking purposes.
Viewfinder: REC WARNING Display window: 00:00:00:11	Proxy data recording stops. <ul style="list-style-type: none"> An error occurs during recording on the P2 card. 	Restore the clips on the removed P2 card (see page 13). <ul style="list-style-type: none"> Proxy data recorded on the P2 card are deleted. Proxy data recorded on the SD memory card cannot be restored.
Viewfinder: EOM (SD)	Proxy data recording on the SD memory card stops, but recording on the P2 card continues. <ul style="list-style-type: none"> No -spare capacity-on the SD memory card. 	Insert a new SD memory card after recording finishes. <ul style="list-style-type: none"> Proxy data being recorded on the SD memory card are deleted. To restore deleted proxy data, select clips on the P2 card and copy them to the SD memory card (see page 13).
Viewfinder: SD CARD WRITE ERR	Proxy data recording on the SD memory card stops, but recording on the P2 card continues. <p>This message is displayed when the "REC MEDIA" menu item in the PROXY menu is set to "P2&SD", but proxy data recording cannot be performed on the SD memory card.</p> <ul style="list-style-type: none"> Message is displayed at the start of recording <ul style="list-style-type: none"> No SD memory card inserted. SD memory card formatted in an unsupported format. SD memory card is write-protected. SD memory card contains more than 1,000 recorded clips. Message is displayed during recording <ul style="list-style-type: none"> SD memory card removed during recording. Error occurs during recording on the SD memory card. 	Check the status of the SD memory card, and insert another recordable card (see page 10).
Viewfinder: PROXY CARD ERROR	Proxy data recording stops, but recording on the P2 card continues. <ul style="list-style-type: none"> Error occurs on the P2 PROXY card. Error in the input signals to the P2 PROXY card. 	Proxy data cannot be recorded correctly. <p>Turn off the P2 cam and then turn it on again to perform recording and playback operations for checking purposes.</p>

Errors in proxy recording (continued)

Restoring clips

- 1 Press the THUMBNAIL button to display the thumbnail screen.
- 2 Position the pointer over the clips to be restored using the cursor buttons, and press the SET button.
- 3 Press the MENU BAR button to move the pointer to the menu bar.
- 4 Select OPERATION → REPAIR CLIP → YES, using the cursor buttons and the SET button.



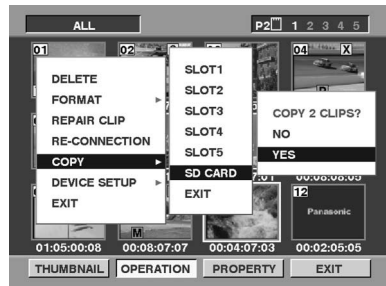
<Note>

When clips are restored;

- Proxy data recorded on the P2 card are deleted.
- Proxy data recorded on the SD memory card cannot be restored.

Copying clips to an SD memory card

- 1 Press the THUMBNAIL button to display the thumbnail screen.
- 2 Position the pointer over the clips to be copied using the cursor buttons, and press the SET button.
- 3 Press the MENU BAR button to move the pointer to the menu bar.
- 4 Select OPERATION → COPY → SD CARD → YES, using the cursor buttons and the SET button.



Specifications

Input voltage:

DC 3.3 V \pm 0.3 V

Power consumption:

Maximum 1.5 W

Operating temperature:

0 °C to +40 °C (32 °F to +104 °F)

Operating humidity:

10 % to 85 % (no condensation)

Storage temperature:

-20 °C to +60 °C (-4 °F to +140 °F)

Storage humidity:

10 % to 85 % (no condensation)

Mass:

approx. 43 g (1.5 oz)

Dimensions (W×H×D):

approx. 54 mm × 5 mm × 85.6 mm (2 ³/₁₆ inches × 1/4 inch × 3 ³/₈ inches)

Interface:

PC card standard

File format:

MP4 (ISO/IEC14496 standard)

Video compression format:

MPEG4 simple profile (4:2:0)

Audio compression format:

AAC (Advanced Audio Coding)

Setting mode:

192 kbps

Video : QVGA, 15 frames/sec (525i), 12.5 frames/sec (625i)

Audio : Monaural (mixture of CH1 and CH2), 32 kbps/ch

768 kbps

Video : QVGA, 30 frames/sec (525i), 25 frames/sec (625i)

Audio : Stereo (CH1•CH2), 64 kbps/ch

1500 kbps

Video : QVGA, 30 frames/sec (525i), 25 frames/sec (625i)

Audio : Stereo (CH1•CH2), 64 kbps/ch

Specifications are subject to change without notice.

Mass and dimensions shown are approximate.

- Öffnen und zerlegen Sie Ihre Ausrüstung nicht, um Feuer, Stromschläge, Beschädigungen und Funktionsstörungen zu vermeiden.
- Brechen Sie die Benutzung der Karte sofort ab, falls Sie Rauch, seltsame Gerüche oder Geräusche feststellen oder falls Flüssigkeiten in die Karte eindringen.

Softwareinformationen für dieses Produkt

Kundeninformation: Dieses Produkt enthält Software, die gemäß GPL (GNU Public License) und LPGL (GNU Lesser General Public License) lizenziert wurde; Kunden haben das Recht, den Quellcode für diese Software herunterzuladen, zu ändern und wiederzuverkaufen.

Detaillierte Angaben zu GPL und LGPL finden Sie in den Abschnitten GPL und LGPL des vorliegenden Handbuchs. Die Beschreibung ist im englischen Original beigelegt.

Den entsprechenden Quellcode können Sie auf folgender Webseite herunterladen: <http://panasonic.biz/sav/>.

Bitte nehmen Sie zur Kenntnis, dass wir keine Fragen zum Inhalt etc. irgendeines Sourcecodes, den Sie von der oben genannten Webseite beziehen, beantworten können.

Inhaltsverzeichnis

Vorsichtsmaßnahmen zur Handhabung und Lagerung	1	Überprüfungen	4
Leistungsmerkmale	2	PROXY-Menü	6
Zusammensetzung des Produkts	2	Aufnahme auf SD-Speicherkarten	9
Entfernen der Karte aus ihrem Gehäuse	2	Überprüfung der Proxy-Daten	10
Einsetzen einer P2-PROXY-Karte	3	Fehler bei der Proxy-Aufnahme	11
		Spezifikationen	13

Vorsichtsmaßnahmen zur Handhabung und Lagerung

- Schützen Sie Ihre Ausrüstung vor Stößen, Verbiegungen, Stürzen und Feuchtigkeit, um Feuer, Stromschläge, Beschädigungen und Funktionsstörungen zu vermeiden.
- Bringen Sie nach der Entfernung der Karte aus der Ausrüstung sofort die Kappe an, um die Kontakte vor Staub und Schmutz zu schützen.
Bewahren Sie die Karte bei der Lagerung oder dem Transport in ihrem Schutzgehäuse auf.
- Schützen Sie die Karte vor ätzenden Gasen.
- Entfernen Sie diese Karte nicht während der Proxy-Datenaufnahme aus einem Speicherkarten-Camcorder. Schalten Sie während der Proxy-Datenaufnahme den Speicherkarten-Camcorder nicht aus und entfernen Sie nicht die Batterien.
In diesen Fällen werden die aufgezeichneten Proxy-Daten gelöscht.
- Wenden Sie sich für Beratung zur Installation dieser Karte in Speicherkarten-Camcorder, die die Proxy-Aufnahme unterstützen, an Ihren Händler oder an Ihren Dienstanbieter.

Leistungsmerkmale

Die AJ-YAX800G ("P2-PROXY-Karte") ist eine PC-Video-Encoder-Karte (gleiche Größe wie eine P2-Karte), die ist in der Lage, aus mit einem Speicherkarten-Camcorder ("P2-Cam") aufgenommenem Material eine komprimierte Datendatei zu erzeugen und diese Datei separat vom Originalmaterial zu speichern.

Die mit dieser Funktion erzeugten Dateien umfassen eine Audiovideodatei, die mit dem Format MPEG4 komprimiert ist, sowie eine Echtzeit-Metadatendatei (Zeitcode, Benutzer-Bit und UMID-Information). Sie können auf P2-Karten oder SD-Speicherkarten gespeichert werden.

Mit einer P2-Cam aufgenommenes Material kann als Datendateien gespeichert werden, die weniger Speicherplatz als das Originalmaterial benötigen.

Zusammensetzung des Produkts

- P2-PROXY-Karte×1
- Kappe×1
- Gehäuse×1

Entfernen der Karte aus ihrem Gehäuse

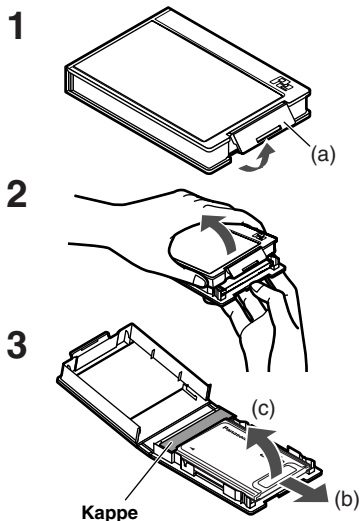
1 Lösen Sie die Sperre in Bereich (a).

2 Öffnen Sie das Gehäuse.

- Halten Sie das Gehäuse beim Entfernen der Karte in der auf der Abbildung gezeigten Richtung, sodass die Karte nicht auf den Boden fallen kann.
- Versuchen Sie nicht, das Gehäuse beim Öffnen im Bereich (a) zu halten, um Beschädigungen zu vermeiden.

3 Entfernen Sie die Karte.

- Schieben Sie die Karte zum Entfernen in Richtung (b).
- Zum Entfernen der Karte mit der Kappe heben Sie sie in Richtung (c), während Sie sie gleichzeitig in Richtung der Kappe drücken.

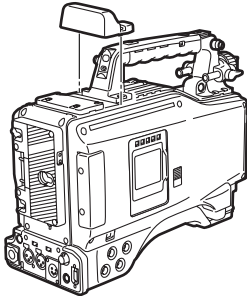


Einsetzen einer P2-PROXY-Karte

Setzen Sie eine P2-PROXY-Karte in den Steckplatz OPTION der P2-Cam ein. Beachten Sie bitte, dass die Karte in den P2-Kartensteckplatz Nr. 5 eingesteckt werden muss, falls bereits eine Karte in den Steckplatz OPTION eingesteckt ist.

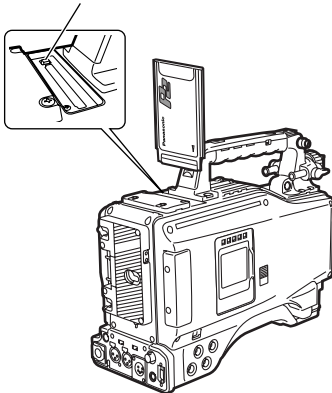
Einsetzen der Karte in den Steckplatz OPTION

- 1 Schalten Sie die P2-Cam aus. Eine P2-PROXY-Karte wird nicht erkannt, falls sie eingesetzt wird, während die Kamera eingeschaltet ist.
- 2 Entfernen Sie die beiden Schrauben und heben Sie die Abdeckung des Steckplatzes OPTION an.



- 3 Stellen Sie sicher, dass die Auswurfaste gedrückt ist, und setzen Sie die P2-PROXY-Karte in den Steckplatz ein.

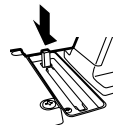
Taste AUSWURF



- 4 Bringen Sie die Abdeckung des Steckplatzes OPTION wieder und befestigen Sie sie mit den beiden Schrauben.

Entfernung der P2-PROXY-Karte aus dem Steckplatz OPTION

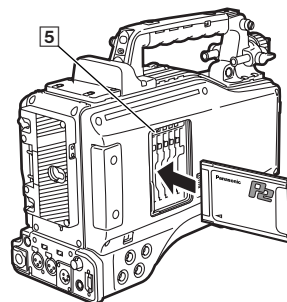
- 1 Drücken Sie die Auswurfaste und stellen Sie sicher, dass die Taste hochgekommen ist.



- 2 Drücken Sie die Auswurfaste erneut. Dadurch wird die P2-PROXY-Karte freigegeben. Entfernen Sie sie aus dem Steckplatz.

Einsetzen der P2-PROXY-Karte in den P2-Kartensteckplatz

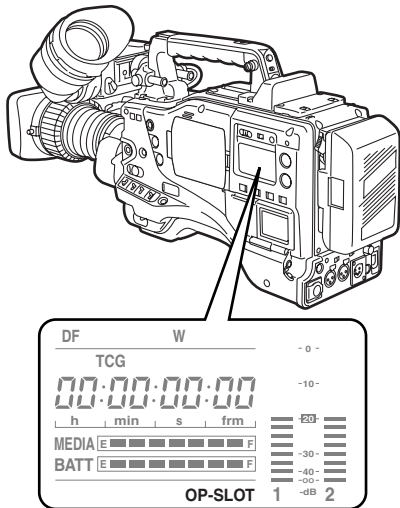
Bitte stellen Sie sicher, dass die P2-PROXY-Karte in den Steckplatz Nr. 5 eingesetzt wird. Die Proxy-Datenaufnahme wird nicht ausgeführt, wenn die P2-PROXY-Karte in einen anderen Steckplatz eingesetzt wird. Für weitere Informationen zum Einsetzen von Karten siehe die Bedienungsanleitung der P2-Cam.



Überprüfungen

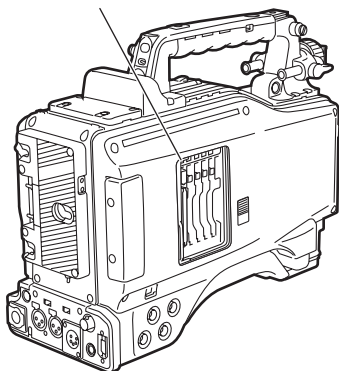
Schalten Sie die P2-Cam ein und überprüfen Sie, ob die P2-PROXY-Karte in Betrieb ist.

- Wenn eine P2-PROXY-Karte in den Steckplatz OPTION eingesteckt und ordnungsgemäß erkannt wird, zeigt das Displayfenster der P2-Cam "OP-SLOT" an.



- Wenn eine P2-PROXY-Karte in den P2-Karten-Steckplatz Nr. 5 eingesteckt und ordnungsgemäß erkannt wird, blinkt die LED orange auf.

LED Zugriff

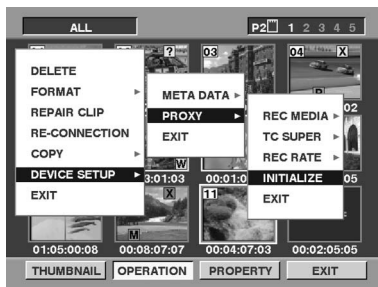


Bei der ersten Benutzung einer P2-PROXY-Karte mit einer P2-Cam muss die Karte mit dem PROXY-Menü initialisiert werden.

Initialisieren einer P2-PROXY-Karte

- 1 Setzen Sie eine P2-PROXY-Karte in die P2-Cam ein und schalten Sie sie ein.
- 2 Drücken Sie die Taste THUMBNAIL, um die Miniaturansicht anzuzeigen.
- 3 Drücken Sie die Taste MENU BAR, um den Zeiger auf die Menüleiste zu setzen.
- 4 Wählen Sie OPERATION → DEVICE SETUP → PROXY → INITIALIZE → YES mit den Cusortasten und der Taste SET.

Dadurch wird die Initialisierung durchgeführt.

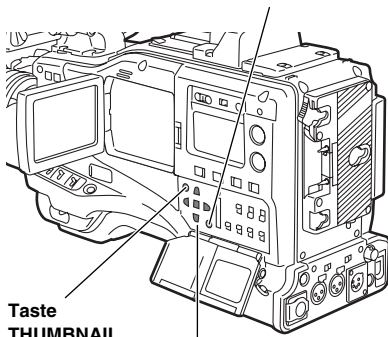


Überprüfungen (Fortsetzung)

Überprüfung auf der Miniaturansicht

- ① Drücken Sie die Taste THUMBNAIL, um die Miniaturansicht anzuzeigen.
- ② Drücken Sie die Taste MENU BAR, um den Zeiger auf die Menüleiste zu setzen.
- ③ Drücken Sie die Cursortaste, um den Zeiger auf "PROPERTY" zu bewegen, und drücken Sie die Taste SET.
- ④ Drücken Sie die Cursortaste, um den Zeiger auf "DEVICES" zu bewegen, und drücken Sie die Taste SET.
- ⑤ Drücken Sie die Cursortaste, um den Zeiger auf "PROXY" zu bewegen, und drücken Sie die Taste SET.

Taste MENU BAR



△△△△ Cursortasten

□ Taste SET

Die Meldung "SOFT: NO VERSION" wird angezeigt. Dies ist keine Fehlermeldung, sondern beruht darauf, dass bei der Proxy-Datenaufnahme die Version angezeigt wird.

Wenn das Gerät eingeschaltet ist



Nach dem Aufnehmen von Proxy-Daten (Steckplatz OPTION)



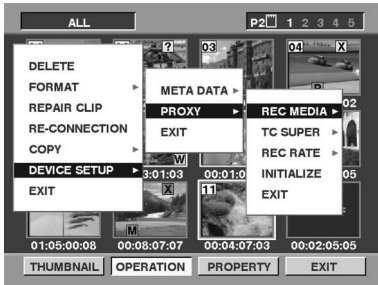
(P2-Kartensteckplatz Nr. 5)



PROXY-Menü

Einstellung des Menüs

- 1 Setzen Sie eine P2-PROXY-Karte in die P2-Cam ein und schalten Sie sie ein.
- 2 Drücken Sie die Taste THUMBNAIL, um die Miniaturansicht anzuzeigen.
- 3 Drücken Sie die Taste MENU BAR, um den Zeiger auf die Menüleiste zu setzen.
- 4 Wählen Sie OPERATION → DEVICE SETUP → PROXY mit den Cusortasten und der Taste SET.
- 5 Wählen Sie die Menüpositionen und geben Sie die Werte mit den Cusortasten und der Taste SET ein.



PROXY-Menü

Positionen	Einstellbereich
REC MEDIA	OFF P2 P2&SD
<p>Wählen Sie das Medium für die Proxy-Datenaufnahme.</p> <p>OFF: Keine Proxy-Daten aufgenommen.</p> <p>P2: Die Proxy-Daten werden auf der P2-Karte aufgenommen.</p> <p>P2&SD: Die Proxy-Daten werden auf der P2-Karte und der SD-Speicherkarte aufgenommen.</p> <ul style="list-style-type: none"> • Das Voice-Memo wird auf der P2-Karte und der SD-Speicherkarte aufgenommen, wenn Sie während der Proxy-Datenaufnahme ein Voice-Memo aufnehmen. • Wenn Sie ein Voice-Memo nach Beendigung der Proxy-Datenaufnahme aufnehmen, wird das Voice-Memo nur auf der P2-Karte aufgenommen. 	
TC SUPER	OFF UPPER LOWER
<p>Geben Sie die Option für die Einblendung des Zeitcodes für das als Proxy-Daten aufgenommene Video an.</p> <p>OFF: Der Zeitcode wird nicht in das aufgenommene Video eingeblendet.</p> <p>UPPER: Der Zeitcode wird im oberen Bereich in das aufgenommene Video eingeblendet.</p> <p>LOWER: Der Zeitcode wird im unteren Bereich in das aufgenommene Video eingeblendet.</p>	
REC RATE	192kbps 768kbps 1500 kbps
<p>Wählen Sie die Aufnahme­rate für die Proxy-Datenaufnahme.</p>	
INITIALIZE	_____
<p>Initialisiert das PROXY-Menü und die Datumseinstellung der P2-Cam.</p> <ul style="list-style-type: none"> • Stellen Sie sicher, dass diese Initialisierung beim ersten Einsetzen einer P2-PROXY-Karte in eine P2-Cam vorgenommen wird, die die Proxy-Aufnahme unterstützt. 	

_____ in der Spalte Einstellbereich gibt den Ausgangswert an.

PROXY-Menü (Fortsetzung)

- Die Proxy-Daten werden während der folgenden Betriebsweisen nicht aufgenommen:

- IEEE1394 digitale Aufnahme
- INTERVAL REC
- LOOP REC

- Wählen Sie zum Anzeigen der von der Proxy-Datenaufnahme aufgezeichneten Informationen im Viewfinder der P2-Cam "ON" für die Menüposition "PROXY REC" der Anzeige <VF INDICATOR2> der Menüseite VF der P2-Cam.

Bei Beginn der Aufnahme wird PROXY REC P2" oder "PROXY REC P2&SD" angezeigt.

- Wenn die Proxy-Daten während der Aufnahme des Materials auf der P2-Karte aufgenommen werden, kann die Aufnahmezeit kürzer als in der Bedienungsanleitung der P2-Karte angegeben sein.
- Während der Einstellung des PROXY-Menüs kann die P2-Cam keine Aufnahmen vornehmen.

Aufnahmerate und Aufnahmesignale (Video und Audio)

Aufnahmerate	Video (QVGA)	Audio
192 kbps	NTSC (525i) 15 Frames/Sek. PAL (625i) 12,5 Frames/Sek.	Mono (Mischung von CH1 und CH2), 32 kbps/ch
768 kbps	NTSC (525i) 30 Frames/Sek. PAL (625i) 25 Frames/Sek.	Stereo (CH1•CH2), 64 kbps/ch
1500 kbps	NTSC (525i) 30 Frames/Sek. PAL (625i) 25 Frames/Sek.	Stereo (CH1•CH2), 64 kbps/ch

Die Aufnahmerate gibt die Aufnahmerate für Videosignale an.

PROXY-Menü (Fortsetzung)

Proxy-Aufnahme im Modus 24P/24PA [Nur anwendbar auf NTSC (525i)]

Wenn die Betriebsweise der P2-Cam für die Proxy-Aufnahme auf 24P (2:3) oder 24PA (2:3:3:2) eingestellt ist, ergibt sich in Abhängigkeit von der Aufnahme­rate die folgende 5-Frame-Sequenz:

Aufnahmerate: 768 kbps, 1500 kbps

24P (2:3)

Sequenz Nr.	0	1	2	3	4
Bilder des Originalmaterials	0 <u>0</u>	1 <u>1</u>	1 <u>2</u>	2 <u>3</u>	3 <u>3</u>
Bilder der Proxy-Aufnahme	0	1	1	2	3

- Unterstrichen gibt die Bilder des zweiten Felds an.

24PA (2:3:3:2)

Sequenz Nr.	0	1	2	3	4
Bilder des Originalmaterials	0 <u>0</u>	1 <u>1</u>	1 <u>2</u>	2 <u>2</u>	3 <u>3</u>
Bilder der Proxy-Aufnahme	0	1	1	2	3

Aufnahmerate: 192 kbps

Wenn die Aufnahme­rate 192 kbps ist, wird die 5-Frame-Sequenz nicht korrekt ausgeführt.

24P (2:3)

Sequenz Nr.	0	1	2	3	4	0	1	2	3	4
Bilder des Originalmaterials	0 <u>0</u>	1 <u>1</u>	1 <u>2</u>	2 <u>3</u>	3 <u>3</u>	4 <u>4</u>	5 <u>5</u>	5 <u>6</u>	6 <u>7</u>	7 <u>7</u>
Bilder der Proxy-Aufnahme	0		1		3		5		6	

24PA (2:3:3:2)

Sequenz Nr.	0	1	2	3	4	0	1	2	3	4
Bilder des Originalmaterials	0 <u>0</u>	1 <u>1</u>	1 <u>2</u>	2 <u>2</u>	3 <u>3</u>	4 <u>4</u>	5 <u>5</u>	5 <u>6</u>	6 <u>6</u>	7 <u>7</u>
Bilder der Proxy-Aufnahme	0		1		3		5		6	

Aufnahme auf SD-Speicherkarten

Für die Proxy-Datenaufnahme sollten SD-Speicherkarten zu 256 MB, 512 MB oder 1 GB mit der Angabe "High Speed" verwendet werden.

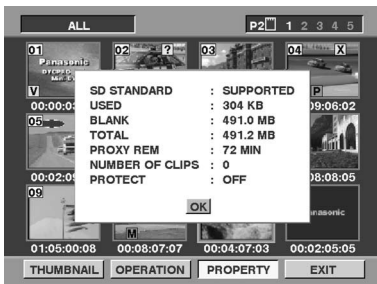
Für weitere Informationen siehe bitte:
<http://panasonic.biz/sav/p2>

Formatieren Sie die SD-Speicherkarte für die Proxy-Datenaufnahme mit einer P2-Cam.

- SD-Speicherkarten, die mit dem SD-Standard auf einem PC formatiert werden, können ebenfalls verwendet werden.
- Für weitere Informationen zum Umgang mit SD-Speicherkarten siehe die Bedienungsanleitung der P2-Cam.

Überprüfung einer SD-Speicherkarte

- 1 Setzen Sie eine SD-Speicherkarte in die P2-Cam ein.
- 2 Drücken Sie die Taste THUMBNAIL, um die Miniaturansicht anzuzeigen.
- 3 Drücken Sie die Taste MENU BAR, um den Zeiger auf die Menüleiste zu setzen.
- 4 Wählen Sie PROPERTY → DEVICES → SD CARD mit den Cusortasten und der Taste SET.



- Der Formatierungsstatus wird unter der Position "SD STANDARD" angezeigt.
Formatieren Sie die Karte mit der P2-Cam, falls "NOT SUPPORTED" angezeigt wird.
- Überprüfen Sie den verbleibenden freien Speicherplatz für die Proxy-Datenaufnahme mit der aktuellen Aufnahmezeit durch Wahl der Position "PROXY REM".
- Überprüfen Sie die Anzahl der auf der SD-Speicherkarte aufgenommenen Clips durch Wahl der Position "NUMBER OF CLIPS".
Falls die Anzahl der aufgenommenen Clips 1.000 überschreitet, wird die Proxy-Datenaufnahme nicht ausgeführt, auch wenn die SD-Speicherkarte noch freien Speicherplatz aufweist.
- Falls das Material auf mehreren P2-Karten aufgezeichnet wird, ist die in der Miniaturansicht angezeigte Anzahl der Clips von der Anzahl der auf der SD-Speicherkarte aufgezeichneten Clips von Proxy-Daten verschieden.
- Es ist nicht möglich, den Clips auf der SD-Speicherkarte durch Drücken der Taste SHOT MARK auf der P2-Cam Aufnahmemarkierungen hinzuzufügen.
- Die auf der SD-Speicherkarte aufgezeichneten Proxy-Daten werden beim Löschen der auf der P2-Karte aufgezeichneten Clips in der Miniaturansicht der P2-Cam nicht gelöscht.

Aufnahme auf SD-Speicherkarten (Fortsetzung)

Formatierung einer SD-Speicherkarte

- 1 Setzen Sie eine SD-Speicherkarte in die P2-Cam ein.
- 2 Drücken Sie die Taste THUMBNAIL, um die Miniaturansicht anzuzeigen.
- 3 Drücken Sie die Taste MENU BAR, um den Zeiger auf die Menüleiste zu setzen.
- 4 Wählen Sie OPERATION → FORMAT → SD CARD → YES mit den Cusortasten und der Taste SET.

Dadurch wird die SD-Speicherkarte formatiert.

Annähernde Aufnahmezeit für die Proxy-Datenaufnahme

Teilen. Und Kapazität von SD-Speicherkarten	Aufnahmerate und Aufnahmezeit		
	192 kbps	768 kbps	1500 kbps
RP-SDH256N1A (256 MB)	Annähernd 137 Minuten	Annähernd 35 Minuten	Annähernd 19 Minuten
RP-SDH512N1A (512 MB)	Annähernd 278 Minuten	Annähernd 71 Minuten	Annähernd 39 Minuten
RP-SDH512J1A (512 MB)	Annähernd 237 Minuten	Annähernd 69 Minuten	Annähernd 38 Minuten
RP-SDH0G1J1A (1 GB)	Annähernd 536 Minuten	Annähernd 139 Minuten	Annähernd 77 Minuten
RP-SDK0G1J1A (1 GB)	Annähernd 536 Minuten	Annähernd 139 Minuten	Annähernd 77 Minuten

Die tatsächliche Aufnahmezeit ist von den Aufnahmebedingungen abhängig (Anzahl der Szenen, Voice-Memos und Clips.)

DEUTSCH

<Hinweis>

Wenn die Menüposition "REC MEDIUM" des PROXY-Menüs auf "P2&SD" eingestellt ist, die Proxy-Datenaufnahme jedoch nicht auf die SD-Speicherkarte vorgenommen wird, wird die Meldung "SD CARD WRITE ERR" bei Beginn der Aufnahme angezeigt. Überprüfen Sie die SD-Speicherkarte, falls dies vorkommt. Für weitere Informationen siehe "Fehler bei der Proxy-Aufnahme" (Seite 11).

Überprüfung der Proxy-Daten

- Der Indikator [P] wird für Clips mit Material angezeigt, das Proxy-Daten aufweist.
- Die Proxy-Daten werden auf einer P2-Karte und/oder einer SD-Speicherkarte als Audiovideodatei und als Echtzeit-Metadaten-Datei aufgezeichnet.

Audiovideodatei:

xxxxxxxx.MP4

Die Daten entsprechen dem Standard ISO/IEC14496.

Echtzeit-Metadaten-Datei:

xxxxxxxx.BIN

Für jeden Frame werden Zeitcode, Benutzer-Bit und UMID-Information aufgezeichnet.

Überprüfen Sie die Proxy-Daten mit dem P2-Viewer.

Für weitere Informationen zum P2-Viewer siehe bitte:

<http://panasonic.biz/sav/p2>

Fehler bei der Proxy-Aufnahme

Siehe die folgenden Angaben zur Vorgehensweise, falls Fehler während der Proxy-Datenaufnahme auftreten:

Fehleranzeige	Betrieb und Ursachen	Vorgehensweise
Viewfinder: TURN POWER OFF Anzeigefenster: E-30	Proxy-Datenaufnahme hält an. <ul style="list-style-type: none"> Die P2-Karte oder die P2-PROXY-Karte wurden während der Aufnahme entfernt. 	Schalten Sie die P2-Cam aus und wieder ein, um die Aufnahme und Wiedergabe zu Kontrollzwecken vorzunehmen.
Viewfinder: REC WARNING Anzeigefenster: 00:00:00:11	Proxy-Datenaufnahme hält an. <ul style="list-style-type: none"> Während der Aufnahme auf die P2-Karte ist ein Fehler aufgetreten. 	Stellen Sie die Clips auf der entfernten P2-Karte wieder her (siehe Seite 12). <ul style="list-style-type: none"> Die auf der P2-Karte aufgenommenen Proxy-Daten werden gelöscht. Die auf der SD-Speicherkarte aufgenommenen Proxy-Daten können nicht wieder hergestellt werden.
Viewfinder: EOM (SD)	Die Proxy-Datenaufnahme auf der SD-Speicherkarte hält an, aber die Aufnahme auf die P2-Karte fortgesetzt. <ul style="list-style-type: none"> Keine Speicherkapazität auf der SD-Speicherkarte. 	Setzen Sie nach dem Ende der Aufnahme eine neue SD-Speicherkarte ein. <ul style="list-style-type: none"> Die auf der SD-Speicherkarte aufgenommenen Proxy-Daten werden gelöscht. <p>Wählen Sie zum wieder Herstellen gelöschter Proxy-Daten Clips auf der P2-Karte und kopieren Sie sie auf die SD-Speicherkarte (siehe Seite 12).</p>
Viewfinder: SD CARD WRITE ERR	Die Proxy-Datenaufnahme auf der SD-Speicherkarte hält an, aber die Aufnahme auf die P2-Karte fortgesetzt. <p>Diese Meldung wird angezeigt, wenn die Menüposition "REC MEDIA" des PROXY-Menüs auf "P2&SD" eingestellt ist, die Proxy-Datenaufnahme jedoch nicht auf die SD-Speicherkarte vorgenommen wird.</p> <ul style="list-style-type: none"> Die Meldung wird bei Beginn der Aufnahme angezeigt <ul style="list-style-type: none"> Keine SD-Speicherkarte eingesetzt. Die SD-Speicherkarte wurde in einem nicht unterstützten Format formatiert. Die SD-Speicherkarte ist schreibgeschützt. Die SD-Speicherkarte enthält mehr als 1.000 aufgenommene Clips. Die Meldung wird während der Aufnahme angezeigt <ul style="list-style-type: none"> Die SD-Speicherkarte wurde während der Aufnahme entfernt. Während der Aufnahme auf die SD-Speicherkarte ist ein Fehler aufgetreten. 	Überprüfen Sie den Status der SD-Speicherkarte und setzen Sie eine andere aufnehmbare Karte ein (siehe Seite 9).
Viewfinder: PROXY CARD ERROR	Die Proxy-Datenaufnahme hält an, aber die Aufnahme auf der P2-Karte wird fortgesetzt. <ul style="list-style-type: none"> Auf der P2-PROXY-Karte ist ein Fehler aufgetreten. Fehler in den Eingangssignalen an die P2-PROXY-Karte. 	Die Proxy-Daten können nicht ordnungsgemäß aufgenommen werden. <p>Schalten Sie die P2-Cam aus und wieder ein, um die Aufnahme und Wiedergabe zu Kontrollzwecken vorzunehmen.</p>

Fehler bei der Proxy-Aufnahme (Fortsetzung)

Wiederherstellung von Clips

- 1 Drücken Sie die Taste THUMBNAIL, um die Miniaturansicht anzuzeigen.
- 2 Positionieren Sie den Zeiger mit den Cursortasten auf den wieder herzustellenden Clips und drücken Sie die Taste SET.
- 3 Drücken Sie die Taste MENU BAR, um den Zeiger auf die Menüleiste zu setzen.
- 4 Wählen Sie OPERATION → REPAIR CLIP → YES mit den Cusortasten und der Taste SET.

<Hinweis>

Wenn Clips wiederhergestellt werden;

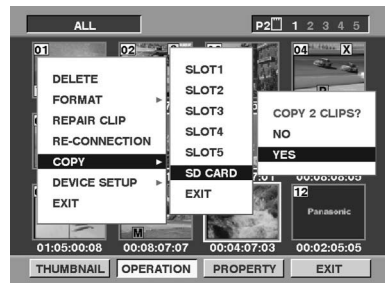
- Die auf der P2-Karte aufgenommenen Proxy-Daten werden gelöscht.
- Die auf der SD-Speicherkarte aufgenommenen Proxy-Daten können nicht wieder hergestellt werden.



DEUTSCH

Kopieren von Clips auf eine SD-Speicherkarte

- 1 Drücken Sie die Taste THUMBNAIL, um die Miniaturansicht anzuzeigen.
- 2 Positionieren Sie den Zeiger mit den Cursortasten auf den kopierenden Clips und drücken Sie die Taste SET.
- 3 Drücken Sie die Taste MENU BAR, um den Zeiger auf die Menüleiste zu setzen.
- 4 Wählen Sie OPERATION → COPY → SD CARD → YES mit den Cusortasten und der Taste SET.



Spezifikationen

Eingangsspannung:

3,3 V dc \pm 0,3 V

Stromverbrauch:

Max. 1,5 W

Betriebstemperatur:

0 °C bis +40 °C

Betriebsfeuchtigkeit:

10 % bis 85 % (nicht kondensierend)

Lagerungstemperatur:

-20 °C bis +60 °C

Lagerungsfeuchtigkeit:

10 % bis 85 % (nicht kondensierend)

Masse:

ca. 43 g

Abmessungen (B×H×T):

ca. 54 mm × 5 mm × 85,6 mm

Schnittstelle:

PC-Standardkarte

Dateiformat:

MP4 (Standard ISO/IEC14496)

Videokompressionsformat:

MPEG4 simple profile (4:2:0)

Audiokompressionsformat:

AAC (Advanced Audio Coding)

Einstellmodus:

192 kbps

Video : QVGA, 15 Frames/Sek. (525i), 12,5 Frames/Sek. (625i)

Audio : Mono (Mischung von CH1 und CH2), 32 kbps/ch

768 kbps

Video : QVGA, 30 Frames/Sek. (525i), 25 Frames/Sek. (625i)

Audio : Stereo (CH1•CH2), 64 kbps/ch

1500 kbps

Video : QVGA, 30 Frames/Sek. (525i), 25 Frames/Sek. (625i)

Audio : Stereo (CH1•CH2), 64 kbps/ch

Die Spezifikationen können ohne Vorankündigung Änderungen unterliegen.
Die Angaben für Masse und Gewicht sind Näherungswerte.

- Pour éviter les dangers d'incendie, de choc électrique, les dommages ou les dysfonctionnements de votre appareil, ne le démontez pas et ne le remodelez pas.
- Cessez immédiatement d'utiliser la carte si vous remarquez de la fumée, des odeurs ou des bruits bizarres ou si du liquide pénètre dans la carte.

Informations logicielles pour ce produit

Informations destinées au client : Ce produit contient un logiciel associé à la licence publique générale (GPL) et à la licence publique générale limitée (LGPL) GNU ; les clients ont donc le droit de télécharger, modifier et redistribuer le code source de ce logiciel.

Des informations sur les licences publiques GPL et LGPL sont disponibles dans les sections GPL et LGPL de ce manuel. La description est l'original de la licence (rédigée en anglais).

Pour télécharger le code source concerné, accédez aux sites Web <http://panasonic.biz/sav/>.

À noter que nous ne pouvons pas répondre à toutes les questions que vous pouvez vous poser sur le contenu, etc. d'un code source quelconque que vous auriez obtenu sur le site Web mentionné ci-dessus.

Table des matières

Manipulation et rangement	1	Menu PROXY	6
Caractéristiques	2	Enregistrement sur des cartes mémoires SD	9
Composition de produit	2	Vérification des données proxy	10
Comment retirer la carte de sa boîte	2	Erreurs d'enregistrement proxy	11
Installation d'une carte P2 PROXY	3	Spécifications	13
Opérations de vérification	4		

Manipulation et rangement

- Pour éviter les dangers d'incendie, de choc électrique, les dommages ou les dysfonctionnements de votre appareil, évitez de le heurter, de le plier, de le laisser tomber ou de l'exposer à l'humidité.
- Après avoir retiré la carte de l'appareil, fixez immédiatement le couvercle pour protéger les bornes contre la poussière et la saleté.
Lorsque vous rangez ou portez la carte avec vous, mettez-la dans sa boîte de protection.
- Ne laissez pas la carte à un endroit exposé à des gaz corrosifs.
- Ne retirez pas la carte d'un caméscope à carte mémoire pendant l'enregistrement des données proxy. Ne coupez pas l'alimentation du caméscope à carte mémoire et n'enlevez pas les batteries pendant l'enregistrement des données proxy.
Cela supprimerait les données proxy en cours d'enregistrement.
- Si vous avez besoin d'assistance pour installer la carte dans un caméscope à carte mémoire prenant en charge l'enregistrement proxy, veuillez contacter votre revendeur ou votre prestataire de service désigné.

Caractéristiques

L'AJ-YAX800G ("Carte P2 PROXY") est une carte pour encodeur vidéo du type carte de PC (elle a la même forme que la carte P2).

Elle permet de créer un fichier de données compressées à partir du matériel enregistré avec un caméscope à carte mémoire ("caméscope P2") et de mémoriser ce fichier en le séparant du matériel original.

Les fichiers créés avec cette fonction comprennent un fichier audiovisuel qui est compressé au format MPEG4 et un fichier de métadonnées en temps réel (code temporel, bit d'utilisateur et information UMID). Ils peuvent être mémorisés sur des cartes P2 ou sur des cartes mémoires SD.

Le matériel enregistré avec un caméscope P2 peut être mémorisé comme un fichier de données, sa capacité étant inférieure au matériel original.

Composition de produit

- Carte P2 PROXY×1
- Couverture×1
- Boîte×1

Comment retirer la carte de sa boîte

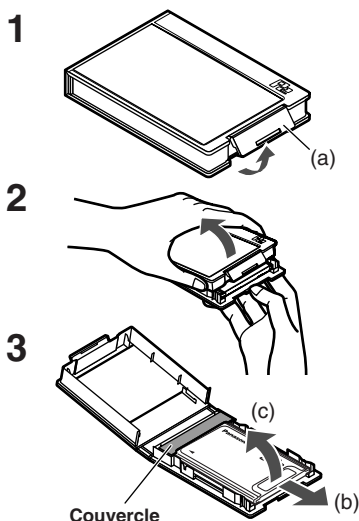
1 Ouvrez le verrou en (a).

2 Ouvrez la boîte.

- Lorsque vous retirez la carte, tenir la boîte comme indiqué sur la figure pour que la carte ne tombe pas sur le sol.
- Pour ne pas endommager la boîte, n'essayez pas de l'ouvrir en la tenant en (a).

3 Retirez la carte.

- Pour retirer uniquement la carte, glissez-la en direction (b).
- Pour retirer la carte avec le couvercle, soulevez-la en direction (c) tout en la poussant en direction du couvercle.



Installation d'une carte P2 PROXY

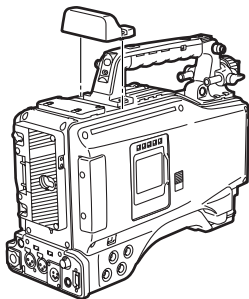
Insérez une carte P2 PROXY dans la fente OPTION du caméscope P2.

Notez que la carte devrait être introduite dans la fente de carte P2 No [5] s'il y a déjà une autre carte dans la fente OPTION.

Introduction d'une carte dans la fente OPTION

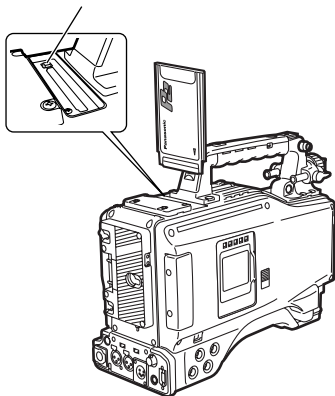
1 Éteignez le caméscope P2.
Le caméscope ne reconnaît pas la carte P2 PROXY si celle-ci est introduite alors qu'il est allumé.

2 Déposez les deux vis et soulevez le couvercle de la fente OPTION.



3 Vérifiez que le bouton d'éjection est enfoncé, puis introduisez une carte P2 PROXY dans la fente.

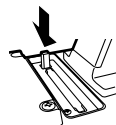
Bouton EJECT



4 Remettez en place le couvercle de la fente OPTION et revissez les deux vis.

Retrait de la carte P2 PROXY de la fente OPTION

1 Appuyez sur le bouton EJECT et vérifiez que le bouton est remonté.



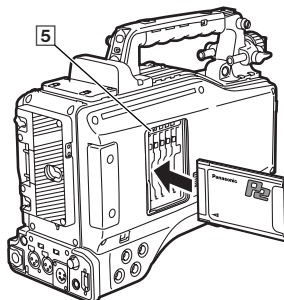
2 Appuyez de nouveau sur le bouton EJECT.

Cela permet de libérer la carte P2 PROXY. Retirez-la de la fente.

Introduction d'une carte P2 PROXY dans la fente réservée à la carte P2

Veillez à introduire la carte P2 PROXY dans la fente No [5]. L'enregistrement des données proxy n'a pas lieu si la carte P2 PROXY est introduite dans une autre fente.

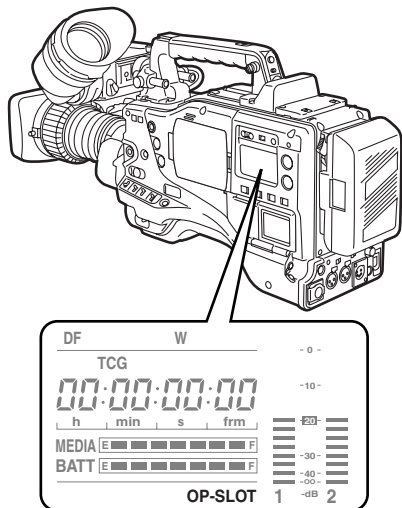
Pour de plus amples informations sur l'introduction des cartes, voir le manuel d'instructions du caméscope P2.



Opérations de vérification

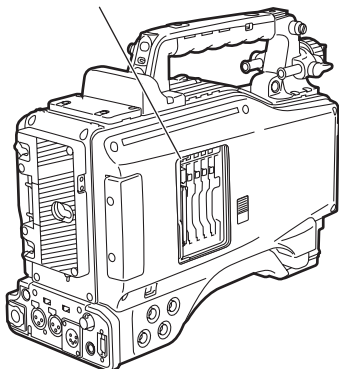
Allumez le caméscope P2 pour vérifier si la carte P2 PROXY fonctionne.

- Lorsqu'une carte P2 PROXY est introduite dans la fente OPTION et qu'elle est correctement reconnue, la fenêtre d'affichage du caméscope P2 affiche "OP-SLOT".



- Lorsqu'une carte P2 PROXY est introduite dans la fente de carte P2 No. 5 et qu'elle est correctement reconnue, la LED d'accès clignote en orange.

LED d'accès

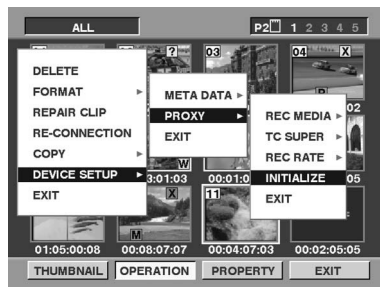


Lors de la première utilisation d'une carte P2 PROXY sur le caméscope P2, il faut initialiser la carte à partir du menu PROXY.

Initialisation d'une carte P2 PROXY

- 1 Introduisez une carte P2 PROXY dans le caméscope P2 et mettez sous tension.
- 2 Appuyez sur le bouton THUMBNAIL pour afficher l'écran d'image miniature.
- 3 Appuyez sur le bouton MENU BAR pour déplacer le pointeur dans la barre de menu.
- 4 Sélectionnez OPERATION → DEVICE SETUP → PROXY → INITIALIZE → YES à l'aide des touches curseur et du bouton SET.

L'initialisation est terminée.



Opérations de vérification (suite)

Vérification sur l'écran d'image miniature

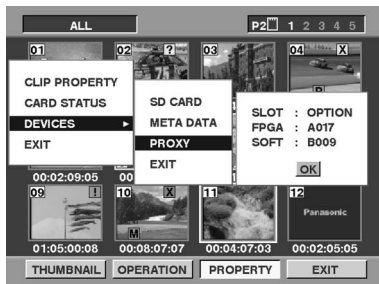
- ① Appuyez sur le bouton THUMBNAIL pour afficher l'écran d'image miniature.
- ② Appuyez sur le bouton MENU BAR pour déplacer le pointeur dans la barre de menu.
- ③ Appuyez sur la touche curseur pour déplacer le pointeur sur "PROPERTY" et appuyez sur le bouton SET.
- ④ Appuyez sur la touche curseur pour déplacer le pointeur sur "DEVICES" et appuyez sur le bouton SET.
- ⑤ Appuyez sur la touche curseur pour déplacer le pointeur sur "PROXY" et appuyez sur le bouton SET.

Le message "SOFT: NO VERSION" s'affiche. Cela n'indique par une erreur, mais résulte du fait que la version est reflétée avec l'enregistrement des données proxy.

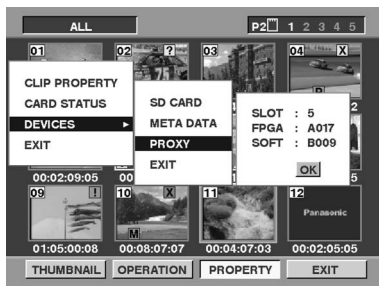
Lorsque le caméscope est sous tension



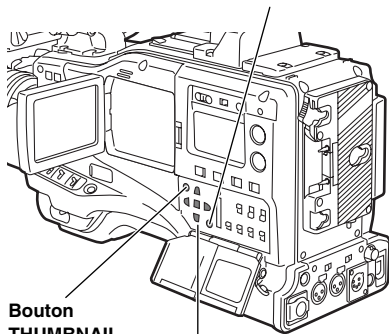
Après enregistrement des données proxy (Fente OPTION)



(Fente de carte P2 No 5)



Bouton MENU BAR



Bouton THUMBNAIL

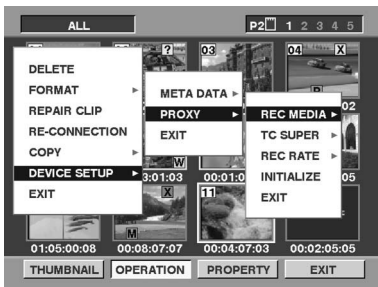
△▷◁◂ Touches curseur

□ Bouton SET

Menu PROXY

Paramétrage du menu

- ❶ Introduisez une carte P2 PROXY dans le caméscope P2 et mettez-le sous tension.
- ❷ Appuyez sur le bouton THUMBNAIL pour afficher l'écran d'image miniature.
- ❸ Appuyez sur le bouton MENU BAR pour déplacer le pointeur dans la barre de menu.
- ❹ Sélectionnez OPERATION ➔ DEVICE SETUP ➔ PROXY à l'aide des touches curseur et du bouton SET.
- ❺ Sélectionnez les options de menu et indiquez les valeurs avec les touches curseur et le bouton SET.



Menu PROXY

Options	Plage de réglage
REC MEDIA	OFF P2 P2&SD
Sélectionnez un support pour l'enregistrement des données proxy. OFF: Aucune donnée proxy n'est enregistrée. P2: Des données proxy sont enregistrées sur la carte P2. P2&SD: Des données proxy sont enregistrées sur la carte P2 et sur la carte mémoire SD. <ul style="list-style-type: none"> ● Si vous enregistrez un message vocal pendant l'enregistrement de données proxy, celui-ci sera enregistré sur la carte P2 et sur la carte mémoire SD. ● Si vous enregistrez un message vocal une fois que l'enregistrement de données proxy est terminé, celui-ci sera enregistré sur la carte P2 uniquement. 	
TC SUPER	OFF UPPER LOWER
Indiquez une option pour afficher le code temporel en surimpression sur la vidéo enregistrée comme donnée proxy. OFF: L'affichage de code temporel n'est pas en surimpression sur la vidéo enregistrée. UPPER: L'affichage de code temporel est en surimpression dans la partie supérieure de la vidéo enregistrée. LOWER: L'affichage de code temporel est en surimpression dans la partie inférieure de la vidéo enregistrée.	
REC RATE	192kbps 768kbps 1500 kbps
Indiquez la vitesse d'enregistrement pour les données proxy.	
INITIALIZE	_____
Initialise le menu PROXY et les données de paramétrage du caméscope P2. <ul style="list-style-type: none"> ● Veillez à effectuer cette initialisation lors de la première introduction d'une carte P2 PROXY dans un caméscope P2 prenant en charge l'enregistrement proxy. 	

Le _____ de la colonne de plage de réglage indique la valeur initiale.

Menu PROXY (suite)

■ Les données proxy ne sont pas enregistrées pendant les opérations dans les modes suivants :

- Enregistrement numérique IEEE1394
- INTERVAL REC
- LOOP REC

■ Pour afficher les informations capturées par enregistrement de données proxy sur le viseur du caméscope P2, sélectionnez "ON" comme option de menu "PROXY REC" dans l'écran <VF INDICATOR2> du menu page VF du caméscope P2.

"PROXY REC P2" ou "PROXY REC P2&SD" s'affiche au début de l'enregistrement.

■ Si les données proxy sont enregistrées sur la carte P2 pendant les prises de vue, le temps d'enregistrement pourrait être plus court que le temps indiqué sur le manuel d'instructions de la carte P2.

■ Pendant le paramétrage de menu PROXY, le caméscope P2 ne peut effectuer aucune opérations d'enregistrement.

Vitesse d'enregistrement et signaux d'enregistrement (Vidéo et audio)

Vitesse d'enregistrement	Vidéo (QVGA)	Audio
192 kbps	NTSC (525i) 15 photogrammes/sec PAL (625i) 12,5 photogrammes/sec	Monaural (mélange de CH1 et CH2), 32 kbps/ch
768 kbps	NTSC (525i) 30 photogrammes/sec PAL (625i) 25 photogrammes/sec	Stéréo (CH1•CH2), 64 kbps/ch
1500 kbps	NTSC (525i) 30 photogrammes/sec PAL (625i) 25 photogrammes/sec	Stéréo (CH1•CH2), 64 kbps/ch

La vitesse d'enregistrement indique la vitesse d'enregistrement pour les signaux vidéo.

Menu PROXY (suite)

Enregistrement proxy en mode 24P/24PA [Applicable uniquement à NTSC (525i)]

Lorsque le mode de fonctionnement du caméscope P2 est réglé sur 24P (2:3) ou 24PA (2:3:3:2) pour l'enregistrement proxy, la séquence à cinq photogrammes sera la suivante en fonction de la vitesse d'enregistrement:

Vitesse d'enregistrement: 768 kbps, 1500 kbps

24P (2:3)

Séquence No	0	1	2	3	4					
Images de matériel original	0	<u>0</u>	1	<u>1</u>	1	<u>2</u>	2	<u>3</u>	3	<u>3</u>
Images d'enregistrement proxy	0	1	1	2	3					

- Les valeurs soulignées indiquent les images du second champ.

24PA (2:3:3:2)

Séquence No	0	1	2	3	4					
Images de matériel original	0	<u>0</u>	1	<u>1</u>	1	<u>2</u>	2	<u>2</u>	3	<u>3</u>
Images d'enregistrement proxy	0	1	1	2	3					

Vitesse d'enregistrement: 192 kbps

Si la vitesse d'enregistrement est de 192 kbps, la séquence à cinq photogrammes ne sera pas correcte.

24P (2:3)

Séquence No	0	1	2	3	4	0	1	2	3	4										
Images de matériel original	0	<u>0</u>	1	<u>1</u>	1	<u>2</u>	2	<u>3</u>	3	<u>3</u>	4	<u>4</u>	5	<u>5</u>	5	<u>6</u>	6	<u>7</u>	7	<u>7</u>
Images d'enregistrement proxy	0		1		3		5		6											

24PA (2:3:3:2)

Séquence No	0	1	2	3	4	0	1	2	3	4										
Images de matériel original	0	<u>0</u>	1	<u>1</u>	1	<u>2</u>	2	<u>2</u>	3	<u>3</u>	4	<u>4</u>	5	<u>5</u>	5	<u>6</u>	6	<u>6</u>	7	<u>7</u>
Images d'enregistrement proxy	0		1		3		5		6											

Enregistrement sur des cartes mémoires SD

Pour l'enregistrement de données proxy, utilisez des cartes mémoires SD de 256 Mo, 512 Mo ou 1 Go avec l'indication "High Speed".

Pour plus d'informations, veuillez aller au site:

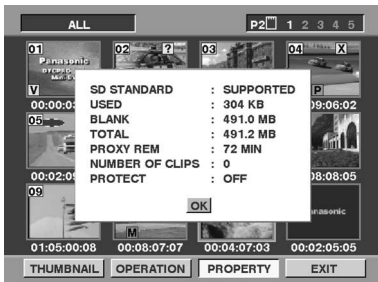
<http://panasonic.biz/sav/p2>

Pour l'enregistrement de données proxy, formatez la carte mémoire SD à l'aide du caméscope P2.

- Vous pouvez aussi utiliser les cartes mémoires SD formatées suivant le standard SD sur un PC.
- Pour plus d'informations sur la manipulation des cartes mémoires SD, voir le manuel d'instructions du caméscope P2.

Vérification d'une carte mémoire SD

- 1 Introduisez une carte mémoire SD dans le caméscope P2.
- 2 Appuyez sur le bouton THUMBNAIL pour afficher l'écran d'image miniature.
- 3 Appuyez sur le bouton MENU BAR pour déplacer le pointeur dans la barre de menu.
- 4 Sélectionnez PROPERTY ➔ DEVICES ➔ SD CARD à l'aide des touches curseur et du bouton SET.



- L'état de formatage s'affiche sous l'option "SD STANDARD".

Si "NOT SUPPORTED" s'affiche, formatez la carte en utilisant le caméscope P2.

- Vérifiez l'espace libre disponible pour l'enregistrement de données proxy en fonction du réglage de vitesse d'enregistrement effectif en sélectionnant l'option "PROXY REM".
- Vérifiez le nombre de clips enregistrés sur la carte mémoire SD en sélectionnant l'option "NUMBER OF CLIPS".

Si le nombre de clips enregistrés dépasse 1000, l'enregistrement de données proxy n'a pas lieu même s'il y a encore de la place sur la carte mémoire.

- Si le matériel est enregistré sur des cartes P2 multiples, le nombre de clips affichés sur l'écran d'image miniature sera différent du nombre de clips de données proxy enregistrés sur la carte mémoire SD.
- Une marque de plan ne peut pas être ajoutée aux clips présents sur la carte mémoire en appuyant sur la touche SHOT MARK du caméscope P2.
- Les données proxy enregistrées sur la carte mémoire SD ne seront pas effacées par effacement des clips enregistrés sur la carte P2 sur l'écran d'image miniature du caméscope P2.

Enregistrement sur des cartes mémoires SD (suite)

Formatage d'une carte mémoire SD

- 1 Introduisez une carte mémoire SD dans le caméscope P2.
- 2 Appuyez sur le bouton THUMBNAIL pour afficher l'écran d'image miniature.
- 3 Appuyez sur le bouton MENU BAR pour déplacer le pointeur dans la barre de menu.
- 4 Sélectionnez OPERATION ➔ FORMAT ➔ SD CARD ➔ YES à l'aide des touches curseur et du bouton SET.

Le formatage de la carte mémoire SD est terminé.

Temps d'enregistrement de données proxy approximatif

No de pièce et capacité des cartes mémoires SD	Vitesse d'enregistrement et temps d'enregistrement		
	192 kbps	768 kbps	1500 kbps
RP-SDH256N1A (256 MB)	Environ 137 minutes	Environ 35 minutes	Environ 19 minutes
RP-SDH512N1A (512 MB)	Environ 278 minutes	Environ 71 minutes	Environ 39 minutes
RP-SDH512J1A (512 MB)	Environ 237 minutes	Environ 69 minutes	Environ 38 minutes
RP-SDH0G1J1A (1 GB)	Environ 536 minutes	Environ 139 minutes	Environ 77 minutes
RP-SDK0G1J1A (1 GB)	Environ 536 minutes	Environ 139 minutes	Environ 77 minutes

Le temps d'enregistrement effectif dépend des conditions d'enregistrement (nombre de scènes, de messages vocaux et de clips.)

<Remarque>

Si l'option "REC MEDIA" du menu PROXY est réglée sur "P2&SD", mais que l'enregistrement de données proxy ne s'effectue pas sur la carte mémoire SD, le message "SD CARD WRITE ERR" s'affiche au début de l'enregistrement. Si cela se produit, vérifiez la carte mémoire SD. Pour plus d'informations, voir "Erreurs d'enregistrement proxy" (page 11).

Vérification des données proxy

- L'indicateur **P** s'affiche pour des clips dont le matériel contient des données proxy.
- Les données proxy sont enregistrées sur une carte P2 et/ou sur une carte mémoire SD comme fichier audiovisuel et fichier de métadonnées en temps réel.

Fichier audiovisuel:

xxxxxxxx.MP4

Les données sont conformes au standard ISO/IEC14496.

Fichier de métadonnées en temps réel:

xxxxxxxx.BIN

Les code temporel, bit d'utilisateur et informations UMID sont enregistrés pour chaque photogramme.

Vérifiez les données proxy avec le P2 viewer.

Pour plus d'informations sur le P2 viewer, voir :

<http://panasonic.biz/sav/p2>

Erreurs d'enregistrement proxy

S'il y a une erreur pendant l'enregistrement de données proxy, veuillez intervenir comme suit:

Affichage d'erreur	Opération et causes	Intervention
Visueur: TURN POWER OFF Fenêtre d'affichage: E-30	L'enregistrement de données proxy s'interrompt. <ul style="list-style-type: none"> ● La carte P2 ou celle P2 PROXY est retirée pendant l'enregistrement. 	Éteignez le caméscope P2 et rallumez-le pour vérifier le fonctionnement des opérations d'enregistrement et de lecture. Restaurez les clips sur la carte P2 qui a été retirée (voir p.12). <ul style="list-style-type: none"> ● Les données proxy enregistrées sur la carte P2 sont supprimées. ● Les données proxy enregistrées sur la carte mémoire SD ne peuvent être restaurées.
Visueur: REC WARNING Fenêtre d'affichage: 00:00:00:11	L'enregistrement de données proxy s'interrompt. <ul style="list-style-type: none"> ● Erreur pendant l'enregistrement sur la carte P2. 	Introduisez une nouvelle carte mémoire SD une fois l'enregistrement terminé. <ul style="list-style-type: none"> ● Les données proxy en cours d'enregistrement sur la carte mémoire SD sont supprimées. <p>Pour restaurer les données proxy supprimées, sélectionnez des clips sur la carte P2 et copiez-les sur la carte mémoire SD (voir p.12).</p>
Visueur: EOM (SD)	L'enregistrement de données proxy sur la carte mémoire SD s'interrompt, mais l'enregistrement sur la carte P2 continue. <ul style="list-style-type: none"> ● Il n'y a plus d'espace disponible sur la carte mémoire SD. 	Vérifiez l'état de la carte mémoire SD et introduisez une autre carte enregistrable (voir p.9).
Visueur: SD CARD WRITE ERR	L'enregistrement de données proxy sur la carte mémoire SD s'interrompt, mais l'enregistrement sur la carte P2 continue. Ce message s'affiche lorsque l'option de menu "REC MEDIA" du menu PROXY est réglée sur "P2&SD", mais l'enregistrement de données proxy ne peut être effectué sur la carte mémoire SD. <ul style="list-style-type: none"> ■ Le message s'affiche au début de l'enregistrement <ul style="list-style-type: none"> ● Aucune carte mémoire SD. ● Format de la carte mémoire SD non pris en charge. ● Carte mémoire SD avec protection en écriture. ● Carte mémoire SD contenant plus de 1000 clips enregistrés. ■ Le message s'affiche pendant l'enregistrement <ul style="list-style-type: none"> ● Carte mémoire SD retirée pendant l'enregistrement. ● Erreur pendant l'enregistrement sur la carte mémoire SD. 	Vérifiez l'état de la carte mémoire SD et introduisez une autre carte enregistrable (voir p.9).
Visueur: PROXY CARD ERROR	L'enregistrement de donnée proxy s'interrompt, mais l'enregistrement sur la carte P2 continue. <ul style="list-style-type: none"> ● Erreur sur la carte P2 PROXY. ● Erreur au niveau des signaux d'entrée sur la carte P2 PROXY. 	Les données proxy ne peuvent être enregistrées correctement. Éteignez le caméscope P2 et rallumez-le pour vérifier le fonctionnement des opérations d'enregistrement et de lecture.

Erreurs d'enregistrement proxy (suite)

Restauration de clips

- 1 Appuyez sur le bouton THUMBNAIL pour afficher l'écran d'image miniature.
- 2 Positionnez le pointeur sur les clips à restaurer à l'aide des touches curseur et appuyez sur le bouton SET.
- 3 Appuyez sur le bouton MENU BAR pour déplacer le pointeur dans la barre de menu.
- 4 Sélectionnez OPERATION ➔ REPAIR CLIP ➔ YES à l'aide des touches curseur et du bouton SET.



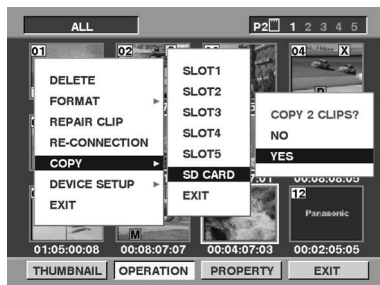
<Remarque>

Lorsque les clips sont restaurés;

- Les données proxy enregistrées sur la carte P2 sont supprimées.
- Les données proxy enregistrées sur la carte mémoire SD ne peuvent être restaurées.

Copie de clips sur une carte mémoire SD

- 1 Appuyez sur le bouton THUMBNAIL pour afficher l'écran d'image miniature.
- 2 Positionnez le pointeur sur les clips à copier avec les touches curseur et appuyez sur le bouton SET.
- 3 Appuyez sur le bouton MENU BAR pour déplacer le pointeur dans la barre de menu.
- 4 Sélectionnez OPERATION ➔ COPY ➔ SD CARD ➔ YES à l'aide des touches curseur et du bouton SET.



Spécifications

Tension d'entrée :

DC 3,3 V \pm 0,3 V

Consommation électrique :

Maximum 1,5 W

Température de fonctionnement :

De 0 °C à +40 °C

Humidité de fonctionnement :

De 10 % à 85 % (sans condensation)

Température de stockage :

De -20 °C à +60 °C

Humidité de stockage :

De 10 % à 85 % (sans condensation)

Masse :

Environ 43 g

Dimensions (L×H×P):

Environ 54 mm × 5 mm × 85,6 mm

Interface :

Carte PC standard

Format de fichier :

MP4 (ISO/IEC14496 standard)

Format de compression vidéo :

Profil simple MPEG4 (4:2:0)

Format de compression audio :

AAC (Advanced Audio Coding)

Mode de paramétrage :

192 kbps

Vidéo : QVGA, 15 photogrammes/sec (525i), 12,5 photogrammes/sec (625i)

Audio : Monaural (mélange de CH1 et CH2), 32 kbps/ch

768 kbps

Vidéo : QVGA, 30 photogrammes/sec (525i), 25 photogrammes/sec (625i)

Audio : Stéréo (CH1•CH2), 64 kbps/ch

1500 kbps

Vidéo : QVGA, 30 photogrammes/sec (525i), 25 photogrammes/sec (625i)

Audio : Stéréo (CH1•CH2), 64 kbps/ch

Les spécifications peuvent changer sans préavis.

La masse et les dimensions indiqués sont approximatifs.

- Per ridurre il pericolo d'incendio, scosse, danni o funzionamento non corretto, evitare di smontare o modificare il prodotto.
- In caso di emissione di fumo, odori o suoni anomali, oppure se la scheda dovesse entrare in contatto con un liquido, interrompere immediatamente l'utilizzo della scheda.

Informazioni sul software di questo prodotto

Informazioni per i consumatori: questo prodotto include software soggetto a licenza secondo il GPL (General Public License) GNU e il LGPL (Lesser General Public License) GNU; i clienti hanno il diritto di scaricare, modificare e ridistribuire il codice sorgente di questo software.

Ulteriori dettagli su GPL e LGPL sono disponibili nelle sezioni GPL e LGPL del presente manuale. La descrizione è originale e in lingua inglese.

Per scaricare il codice sorgente relativo, visitare il sito <http://panasonic.biz/sav/>.

Non viene fornita alcuna risposta a qualsiasi domanda relativa al contenuto di qualsiasi codice sorgente scaricabile dal sito suindicato.

Indice

Precauzioni per l'uso e la custodia del prodotto	1	Operazioni di verifica	4
Caratteristiche	2	Menu PROXY	6
Composizione del prodotto	2	Registrazione su scheda di memoria SD	9
Come rimuovere la scheda dalla custodia	2	Controllo dei dati proxy	10
Installazione della scheda P2 PROXY	3	Errori nella registrazione proxy	11
		Dati tecnici	13

Precauzioni per l'uso e la custodia del prodotto

- Per ridurre il pericolo d'incendio, scosse, danni o funzionamento non corretto il prodotto, non deve subire impatti né essere piegato, lasciato cadere o esposto all'umidità.
- Una volta rimossa la scheda dal dispositivo, apporre immediatamente il cappuccio per proteggere i terminali da polvere e impurità.
Per riporre la scheda o portarla con sé, utilizzare sempre la sua custodia protettiva.
- Non lasciare la scheda in luoghi in cui potrebbe restare esposta a gas corrosivi.
- Non rimuovere la scheda dal Camcorder a schede di memoria durante la registrazione di dati proxy. Non interrompere l'alimentazione al Camcorder a schede di memoria né rimuovere le batterie durante la registrazione di dati proxy. Tali azioni avrebbero come conseguenza l'eliminazione dei dati proxy in fase di registrazione.
- Per richiedere assistenza nell'installazione di questa scheda su Camcorder a schede di memoria che supportano la registrazione proxy, contattare il distributore o il rivenditore designato.

Caratteristiche

L'unità AJ-YAX800G ("scheda P2 PROXY") è una scheda di codifica video di tipo simile a una scheda PC (la forma è identica a quella di una scheda P2).

Essa è in grado di creare un file di dati compressi dal materiale registrato con un Camcorder a schede di memoria ("cam P2"), e memorizzare quel file in una posizione separata rispetto al materiale originale.

I file creati con questa funzione sono composti da un file audiovisivo compresso in formato MPEG4, e da un file di metadati in tempo reale (con le informazioni del time code, bit utente e UMID). Questi file si possono salvare sulle schede P2 o sulle schede di memoria SD.

I materiali registrati con una cam P2 si possono salvare come file di dati, mantenendo dimensioni inferiori rispetto al materiale originale.

Composizione del prodotto

- Scheda P2 PROXY×1
- Cappuccio×1
- Custodia×1

Come rimuovere la scheda dalla custodia

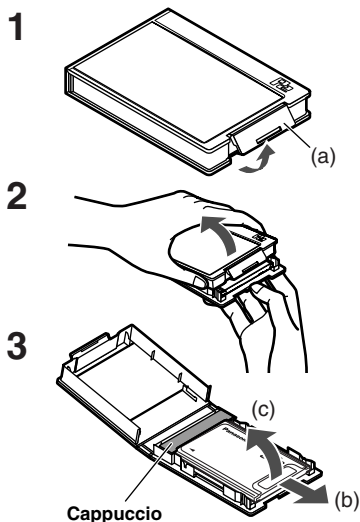
1 Rilasciare il fermo nell'area (a).

2 Aprire la custodia.

- Durante la rimozione della scheda, tenere la custodia nella direzione indicata dalla figura in modo che la scheda non cada per terra.
- Per evitare di danneggiare la custodia, non tentare di aprirla tenendo con forza l'area (a).

3 Rimuovere la scheda.

- Per rimuovere solo la scheda, far scorrere verso la direzione (b).
- Per rimuovere la scheda con il cappuccio, sollevare verso la direzione (c) continuando simultaneamente a premere verso la direzione del cappuccio.



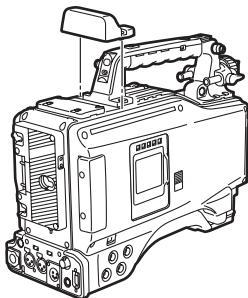
Installazione della scheda P2 PROXY

Inserire una scheda P2 PROXY nello slot OPTION della cam P2.

Inserire la scheda nello slot per scheda P2 N. [5] se vi fosse un'altra scheda già inserita nello slot OPTION.

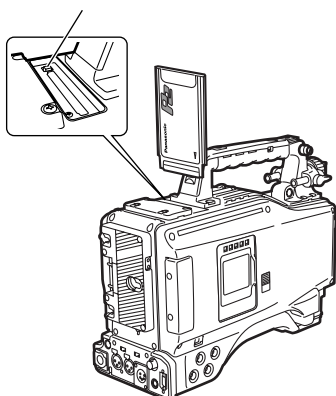
Inserimento di una scheda nello slot OPTION

- 1 Spegnere la cam P2.
Se viene inserita quando la camera è accesa, la scheda P2 PROXY non viene riconosciuta.
- 2 Rimuovere le due viti e sollevare il coperchio dello slot OPTION.



- 3 Verificare che il pulsante di espulsione non sia premuto e inserire la scheda P2 PROXY nello slot.

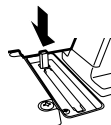
Pulsante EJECT



- 4 Rimettere il coperchio dello slot OPTION e fissarlo nuovamente con le due viti.

Rimozione della scheda P2 PROXY dallo slot OPTION

- 1 Premere il pulsante di espulsione e verificare che il pulsante si sia sollevato.

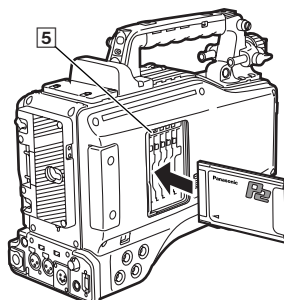


- 2 Premere nuovamente il pulsante di espulsione.
Con questa operazione la scheda P2 PROXY viene sbloccata. Rimuoverla quindi dallo slot.

Inserimento di una scheda P2 PROXY nello slot della scheda P2.

Accertarsi che la scheda P2 PROXY venga inserita nello slot N. [5]. Se la scheda P2 PROXY viene inserita in un altro slot la registrazione dei dati proxy non verrà eseguita.

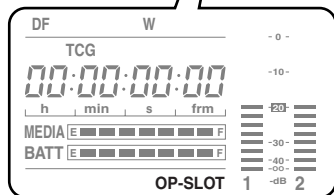
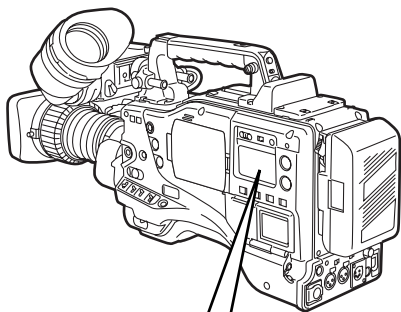
Per maggiori informazioni sull'inserimento delle schede, vedere il manuale delle istruzioni della cam P2.



Operazioni di verifica

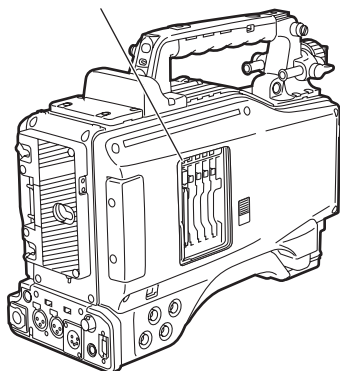
Accendere la cam P2 per verificare che la scheda P2 PROXY sia operativa.

- Quando una scheda P2 PROXY viene inserita nello slot OPTION e viene correttamente riconosciuta, sul display della cam P2 viene visualizzata l'indicazione "OP-SLOT".



- Quando una scheda P2 PROXY viene inserita nello slot per scheda P2 N. 5 e viene correttamente riconosciuta, il LED di accesso lampeggia emettendo luce arancione.

LED di accesso

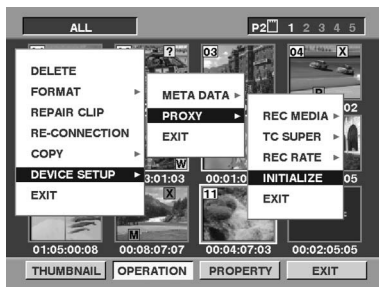


La prima volta che una scheda P2 PROXY viene utilizzata su una cam P2, è necessario inizializzare la scheda utilizzando il menu PROXY.

Inizializzazione della scheda P2 PROXY

- 1 Inserire una scheda P2 PROXY nella cam P2 e accendere la camera.
- 2 Premere il pulsante THUMBNAIL per visualizzare la schermata delle miniature.
- 3 Premere il pulsante MENU BAR per spostare il puntatore verso la barra dei menu.
- 4 Selezionare OPERATION → DEVICE SETUP → PROXY → INITIALIZE → YES con i pulsanti del cursore e il pulsante SET.

L'inizializzazione viene completata.



ITALIANO

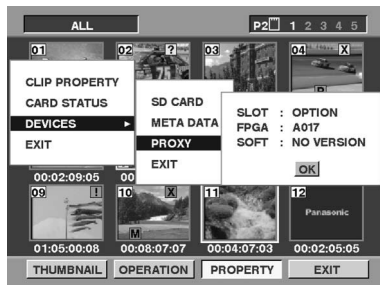
Operazioni di verifica (continua)

Verifiche sulla schermata delle icone miniaturizzate

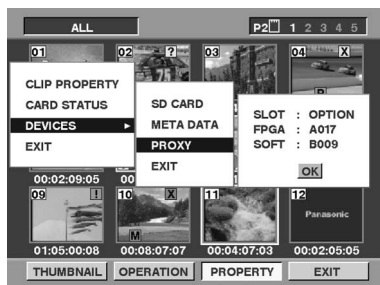
- 1 Premere il pulsante THUMBNAIL per visualizzare la schermata delle icone miniaturizzate.
- 2 Premere il pulsante MENU BAR per spostare il puntatore verso la barra dei menu.
- 3 Premere il pulsante del cursore per spostare il puntatore su "PROPERTY" e premere il pulsante SET.
- 4 Premere il pulsante del cursore per spostare il puntatore su "DEVICES" e premere il pulsante SET.
- 5 Premere il pulsante del cursore per spostare il puntatore su "PROXY" e premere il pulsante SET.

Visualizzazione del messaggio "SOFT: NO VERSION". Non indica alcun errore, è solo la conseguenza del fatto che la registrazione dei dati proxy comporta l'omissione della versione.

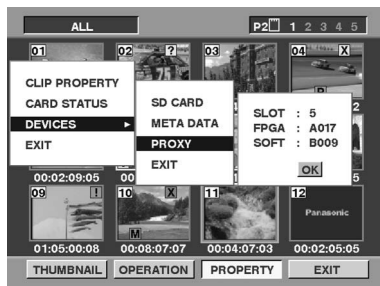
Quando il dispositivo è acceso



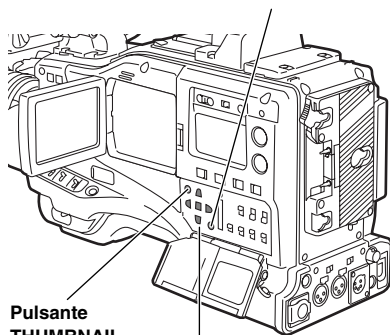
Dopo la registrazione di dati proxy (slot OPTION)



(slot della scheda P2 N. 5)



Pulsante MENU BAR



Pulsante THUMBNAIL

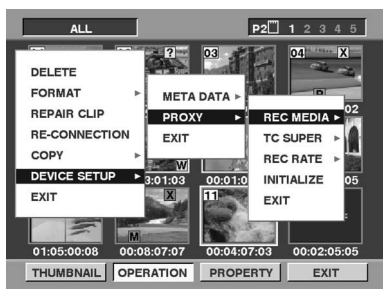
Pulsanti del cursore

Pulsante SET

Menu PROXY

Impostazione del menu

- ① Inserire una scheda P2 PROXY nella cam P2 e accendere il dispositivo.
- ② Premere il pulsante THUMBNAİL per visualizzare la schermata delle icone miniaturizzate.
- ③ Premere il pulsante MENU BAR per spostare il puntatore verso la barra dei menu.
- ④ Selezionare OPERATION ➔ DEVICE SETUP ➔ PROXY utilizzando i pulsanti del cursore e il pulsante SET.
- ⑤ Selezionare le voci di menu e specificare i valori desiderati utilizzando i pulsanti del cursore e il pulsante SET.



Menu PROXY

Voci	Intervallo di Regolazione
REC MEDIA	OFF P2 P2&SD
<p>Selezionare il supporto per la registrazione dei dati proxy.</p> <p>OFF: Non vengono registrati dati proxy.</p> <p>P2: I dati proxy vengono registrati su scheda P2.</p> <p>P2&SD: I dati proxy vengono registrati sia sulla scheda P2 che sulla scheda di memoria SD.</p> <ul style="list-style-type: none"> ● Se si registra un promemoria vocale durante la registrazione di dati proxy, il promemoria vocale viene registrato sia sulla scheda P2 che sulla scheda di memoria SD. ● Se si registra un promemoria vocale dopo che la registrazione dei dati proxy è terminata, il promemoria vocale viene registrato solo sulla scheda P2. 	
TC SUPER	OFF UPPER LOWER
<p>Specificare un'opzione per sovrimporre il time code sul video registrato sotto forma di dati proxy.</p> <p>OFF: Il time code non viene sovrimpresso sul video registrato.</p> <p>UPPER: Il time code viene sovrimpresso nell'area in alto del video registrato.</p> <p>LOWER: Il time code viene sovrimpresso nell'area in basso del video registrato.</p>	
REC RATE	192kbps <u>768kbps</u> 1500 kbps
<p>Specificare la velocità di registrazione per la registrazione dei dati proxy.</p>	
INITIALIZE	_____
<p>Inizializza il menu PROXY e i dati di impostazione della cam P2.</p> <ul style="list-style-type: none"> ● Accertarsi di aver eseguito questa inizializzazione la prima volta che si inserisce una scheda P2 PROXY in una cam P2 che supporta la registrazione proxy. 	

ITALIANO

L'indicazione _____ nella colonna Intervallo di Regolazione indica il valore iniziale.

Menu PROXY (continua)

■ I dati proxy non vengono registrati nelle seguenti modalità:

- Registrazione digitale IEEE1394
- INTERVAL REC
- LOOP REC

■ Per visualizzare sul mirino della cam P2 le informazioni catturate con la registrazione dei dati proxy, selezionare “ON” come voce del menu “PROXY REC” dalla schermata <VF INDICATOR2> del menu alla pagina VF sulla cam P2.

All’inizio della registrazione apparirà l’indicazione “PROXY REC P2” o quella “PROXY REC P2&SD”.

■ Se i dati proxy vengono registrati sulla scheda P2 nel corso delle riprese, il tempo di registrazione potrebbe essere inferiore rispetto a quello indicato dal manuale delle istruzioni della scheda P2.

■ Durante l’impostazione del menu PROXY, la cam P2 non può eseguire alcuna operazione di registrazione.

Velocità di registrazione e segnali di registrazione (Video e audio)

Velocità di registrazione	Video (QVGA)	Audio
192 kbps	NTSC (525i) 15 fotogrammi/sec PAL (625i) 12,5 fotogrammi/sec	Mono (Mix di CH1 e CH2), 32 kbps/ch
768 kbps	NTSC (525i) 30 fotogrammi/sec PAL (625i) 25 fotogrammi/sec	Stereo (CH1•CH2), 64 kbps/ch
1500 kbps	NTSC (525i) 30 fotogrammi/sec PAL (625i) 25 fotogrammi/sec	Stereo (CH1•CH2), 64 kbps/ch

La velocità di registrazione è riferita alla velocità dei segnali video.

Menu PROXY (continua)

Registrazione proxy in modalità 24P/24PA [disponibile solo per NTSC (525i)]

Se la modalità operativa della cam P2 è impostata su 24P (2:3) o 24PA (2:3:3:2) per la registrazione proxy, la sequenza in 5 quadri apparirà nei seguenti modi a seconda delle velocità di registrazione:

Velocità di registrazione: 768 kbps, 1500 kbps

24P (2:3)

Sequenza N.	0	1	2	3	4					
Immagini del materiale originale	0	<u>0</u>	1	<u>1</u>	1	<u>2</u>	2	<u>3</u>	3	<u>3</u>
Immagini della registrazione proxy	0	1	1	2	3					

- La sottolineatura indica le immagini del secondo campo.

24PA (2:3:3:2)

Sequenza N.	0	1	2	3	4					
Immagini del materiale originale	0	<u>0</u>	1	<u>1</u>	1	<u>2</u>	2	<u>2</u>	3	<u>3</u>
Immagini della registrazione proxy	0	1	1	2	3					

Velocità di registrazione: 192 kbps

Se la velocità di registrazione è di 192 kbps, la sequenza in 5 quadri non verrà eseguita correttamente.

24P (2:3)

Sequenza N.	0	1	2	3	4	0	1	2	3	4										
Immagini del materiale originale	0	<u>0</u>	1	<u>1</u>	1	<u>2</u>	2	<u>3</u>	3	<u>3</u>	4	<u>4</u>	5	<u>5</u>	5	<u>6</u>	6	<u>7</u>	7	<u>7</u>
Immagini della registrazione proxy	0			1			3			5			6							

24PA (2:3:3:2)

Sequenza N.	0	1	2	3	4	0	1	2	3	4										
Immagini del materiale originale	0	<u>0</u>	1	<u>1</u>	1	<u>2</u>	2	<u>2</u>	3	<u>3</u>	4	<u>4</u>	5	<u>5</u>	5	<u>6</u>	6	<u>6</u>	7	<u>7</u>
Immagini della registrazione proxy	0			1			3			5			6							

Registrazione su scheda di memoria SD

Per la registrazione dei dati proxy si dovrebbero utilizzare schede SD da 256 MB, 512 MB o 1 GB con indicazione "High Speed".

Per maggiori informazioni andare alla pagina:

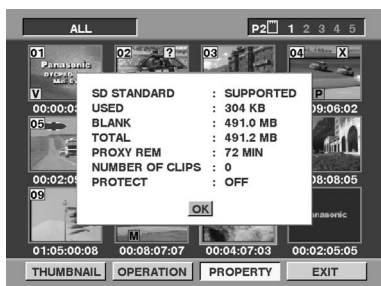
<http://panasonic.biz/sav/p2>

Per la registrazione dei dati proxy, formattare la scheda di memoria SD utilizzando una cam P2.

- È possibile utilizzare anche schede di memoria SD formattate con il PC secondo lo standard SD.
- Per maggiori informazioni sull'utilizzo delle schede di memoria SD, vedere il manuale delle istruzioni della cam P2.

Verifica di una scheda memoria SD

- 1 Inserire la scheda di memoria SD nella cam P2.
- 2 Premere il pulsante THUMBNAIL per visualizzare la schermata delle icone miniaturizzate.
- 3 Premere il pulsante MENU BAR per spostare il puntatore verso la barra dei menu.
- 4 Selezionare PROPERTY → DEVICES → SD CARD utilizzando i pulsanti del cursore e il pulsante SET.



- Lo stato del formato viene indicato tramite la voce "SD STANDARD".

Se appare l'indicazione "NOT SUPPORTED", formattare la scheda utilizzando la cam P2.

- Controllare lo spazio libero disponibile per la registrazione dei dati proxy con l'attuale impostazione della velocità di registrazione, selezionando la voce "PROXY REM".
- Controllare il numero dei clip registrati nella scheda di memoria SD selezionando la voce "NUMBER OF CLIPS".

Se il numero dei clip registrati è superiore a 1.000, la registrazione dei dati proxy non verrà eseguita anche se sulla scheda di memoria SD vi è sufficiente spazio disponibile.

- Se il materiale è stato registrato su più schede P2, il numero dei clip visualizzati nella schermata delle icone miniaturizzate sarà diverso rispetto al numero dei clip dei dati proxy registrati sulla scheda di memoria SD.
- Non è possibile aggiungere un segno di ripresa ai clip sulla scheda di memoria SD premendo il pulsante SHOT MARK sulla cam P2.
- I dati proxy registrati sulla scheda di memoria SD non verranno eliminati se si eliminano i clip registrati sulla scheda P2 tramite la schermata delle icone miniaturizzate della cam P2.

Registrazione su scheda di memoria SD (continua)

Formattazione di una scheda di memoria SD

- 1 Inserire una scheda di memoria SD nella cam P2.
- 2 Premere il pulsante THUMBNAIL per visualizzare la schermata delle icone miniaturizzate.
- 3 Premere il pulsante MENU BAR per spostare il puntatore verso la barra dei menu.
- 4 Selezionare OPERATION ➔ FORMAT ➔ SD CARD ➔ YES utilizzando i pulsanti del cursore e il pulsante SET.

La formattazione della scheda di memoria SD viene completata.

<Nota>

Se la voce di menu "REC MEDIA" del menu PROXY viene impostata su "P2&SD", ma la registrazione dei dati proxy non viene eseguita sulla scheda di memoria SD, appare il messaggio "SD CARD WRITE ERR" all'inizio della registrazione. Se ciò dovesse avvenire controllare la scheda di memoria SD. Per maggiori informazioni, vedere "Errori nella registrazione proxy" (pagina 11).

Tempo di registrazione approssimativo per la registrazione dei dati proxy

Codice prodotto e capacità delle schede di memoria SD	Velocità di registrazione e tempo di registrazione		
	192 kbps	768 kbps	1500 kbps
RP-SDH256N1A (256 MB)	Circa 137 minuti	Circa 35 minuti	Circa 19 minuti
RP-SDH512N1A (512 MB)	Circa 278 minuti	Circa 71 minuti	Circa 39 minuti
RP-SDH512J1A (512 MB)	Circa 237 minuti	Circa 69 minuti	Circa 38 minuti
RP-SDH0G1J1A (1 GB)	Circa 536 minuti	Circa 139 minuti	Circa 77 minuti
RP-SDK0G1J1A (1 GB)	Circa 536 minuti	Circa 139 minuti	Circa 77 minuti

Il tempo di registrazione effettivo dipende dalle condizioni di registrazione (numero delle scene, promemoria vocali e clip.)

Controllo dei dati proxy

- L'indicatore **P** viene visualizzato per i clip dei materiali che incorporano dati proxy.
- I dati proxy vengono registrati sulla scheda P2 e/o sulla scheda di memoria SD come file audiovisivo e file di metadati in tempo reale.

File audiovisivo:

xxxxxxxxx.**MP4**

I dati sono conformi allo standard ISO/IEC14496.

File di metadati in tempo reale:

xxxxxxxxx.**BIN**

Per ogni fotogramma vengono registrati il time code, i bit utente e le informazioni UMID.

Controllare i dati proxy utilizzando il P2 viewer.

Per maggiori informazioni sul P2 viewer, andare alla pagina:

<http://panasonic.biz/sav/p2>

Errori nella registrazione proxy

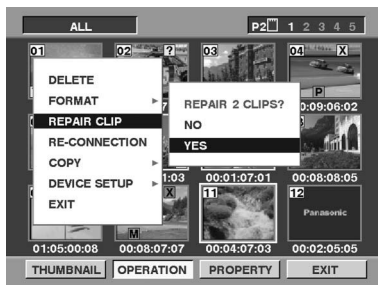
Se dovesse verificarsi un errore nel corso della registrazione di dati proxy, consultare la tabella in basso per intraprendere l'azione appropriata:

Indicazione di errore	Operazione e cause	Azione
Mirino: TURN POWER OFF Finestra display: E-30	La registrazione di dati proxy si interrompe. <ul style="list-style-type: none"> La scheda P2 o la scheda P2 PROXY sono state rimosse nel corso della registrazione. 	Spegner e riaccendere la cam P2, in modo da eseguire operazioni di registrazione e riproduzione a scopo di verifica. Ripristinare i clip sulla scheda P2 rimossa (vedere pagina 12).
Mirino: REC WARNING Finestra display: 00:00:00:11	La registrazione di dati proxy si interrompe. <ul style="list-style-type: none"> Durante la registrazione sulla scheda P2 si è verificato un errore. 	<ul style="list-style-type: none"> I dati proxy registrati sulla scheda P2 vengono eliminati. I dati proxy registrati sulla scheda di memoria SD non possono essere ripristinati.
Mirino: EOM (SD)	La registrazione dei dati proxy sulla scheda di memoria SD si interrompe, ma la registrazione sulla scheda P2 prosegue. <ul style="list-style-type: none"> Sulla scheda di memoria SD non è più disponibile ulteriore spazio libero. 	Inserire una nuova scheda di memoria SD quando la registrazione finisce. <ul style="list-style-type: none"> I dati proxy in fase di registrazione sulla scheda di memoria SD vengono eliminati. Per ripristinare i dati proxy eliminati, selezionare i clip sulla scheda P2 e copiarli nella scheda di memoria SD (vedere pagina 12).
Mirino: SD CARD WRITE ERR	La registrazione dei dati proxy sulla scheda di memoria SD si interrompe, ma la registrazione sulla scheda P2 prosegue. Questo messaggio viene visualizzato quando la voce di menu "REC MEDIA" del menu PROXY è impostata su "P2&SD", ma la registrazione dei dati proxy non può essere eseguita sulla scheda di memoria SD. <ul style="list-style-type: none"> Il messaggio viene visualizzato all'inizio della registrazione <ul style="list-style-type: none"> Non è stata inserita la scheda di memoria SD. La scheda di memoria SD è stata formattata in un formato non supportato. La scheda di memoria SD è protetta dalla scrittura. La scheda di memoria SD contiene oltre 1.000 clip registrati. Il messaggio viene visualizzato durante la registrazione <ul style="list-style-type: none"> La scheda di memoria SD è stata rimossa durante la registrazione. Durante la registrazione sulla scheda di memoria SD si è verificato un errore. 	Controllare lo stato della scheda di memoria SD e inserire un'altra scheda registrabile (vedere pagina 9).
Mirino: PROXY CARD ERROR	La registrazione dei dati proxy si interrompe, ma la registrazione sulla scheda P2 prosegue. <ul style="list-style-type: none"> Si è verificato un errore sulla scheda P2 PROXY. Si è verificato un errore nei segnali in ingresso nella scheda P2 PROXY. 	Non è possibile registrare i dati proxy in modo corretto. Spegner e riaccendere la cam P2, in modo da eseguire operazioni di registrazione e riproduzione a scopo di verifica.

Errori nella registrazione proxy (continua)

Ripristino dei clip

- 1 Premere il pulsante THUMBNAIL per visualizzare la schermata delle icone miniaturizzate.
- 2 Posizionare il puntatore sopra i clip da ripristinare utilizzando i pulsanti del cursore e premere il pulsante SET.
- 3 Premere il pulsante MENU BAR per spostare il puntatore verso la barra dei menu.
- 4 Selezionare OPERATION → REPAIR CLIP → YES utilizzando i pulsanti del cursore e il pulsante SET.



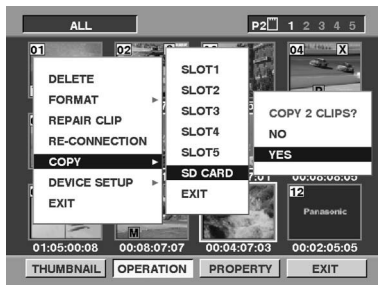
<Nota>

Quando i clip vengono ripristinati:

- I dati proxy registrati sulla scheda P2 vengono eliminati.
- I dati proxy registrati sulla scheda di memoria SD non possono essere ripristinati.

Copia dei clip su una scheda di memoria SD

- 1 Premere il pulsante THUMBNAIL per visualizzare la schermata delle icone miniaturizzate.
- 2 Posizionare il puntatore sopra i clip da copiare utilizzando i pulsanti del cursore e premere il pulsante SET.
- 3 Premere il pulsante MENU BAR per spostare il puntatore verso la barra dei menu.
- 4 Selezionare OPERATION → COPY → SD CARD → YES utilizzando i pulsanti del cursore e il pulsante SET.



Dati tecnici

Voltaggio di ingresso:

CC 3,3 V \pm 0,3 V

Assorbimento di corrente:

Massimo 1,5 W

Temperatura operativa:

da 0 C° a +40 C°

Umidità tollerata:

da 10 % a 85 % (senza condensa)

Temperatura nella custodia:

da -20 C° a +60 C°

Umidità nella custodia:

da 10 % a 85 % (senza condensa)

Massa:

circa 43 g

Dimensioni (L×A×P):

circa 54 mm × 5 mm × 85,6 mm

Interfaccia:

scheda PC standard

Formato file:

MP4 (standard ISO/IEC14496)

Formato di compressione video:

MPEG4 profilo semplice (4:2:0)

Formato di compressione audio:

AAC (Advanced Audio Coding)

Modalità di impostazione:

192 kbps

Video : QVGA, 15 fotogrammi/sec (525i), 12,5 fotogrammi/sec (625i)

Audio : Mono (mix di CH1 e CH2), 32 kbps/ch

768 kbps

Video : QVGA, 30 fotogrammi/sec (525i), 25 fotogrammi/sec (625i)

Audio : Stereo (CH1•CH2), 64 kbps/ch

1500 kbps

Video : QVGA, 30 fotogrammi/sec (525i), 25 fotogrammi/sec (625i)

Audio : Stereo (CH1•CH2), 64 kbps/ch

Dati tecnici soggetti a modifiche senza preavviso.

La massa e le dimensioni sono valori approssimativi.

- Para reducir el riesgo de incendios, sacudidas eléctricas, daños o mal funcionamiento de su equipo, no lo desmonte ni lo modifique.
- Deje inmediatamente de utilizar la tarjeta si nota humo, olores o sonidos extraños, o si en la tarjeta se vierte algún líquido.

Información de software para este producto

Aviso al cliente: Este producto incluye software bajo licencia de GNU General Public License (GPL) y GNU Lesser General Public License (LGPL); los clientes tienen derecho a descargar, modificar y redistribuir el código fuente de este software.

Los detalles acerca de GPL y LGPL se encuentran en las secciones GPL y LGPL de este manual. La descripción se encuentra en el original, escrito en inglés.

Para descargar el código fuente relevante, visite <http://panasonic.biz/sav/>.

Tenga en cuenta que no responderemos a ninguna cuestión que le pueda surgir acerca del contenido relativo al código fuente que haya obtenido del sitio Web anterior.

Índice

Precauciones en el manejo y en el almacenamiento	1	Verificación de las operaciones	4
Características	2	Menú PROXY	6
Composición del producto	2	Grabación en tarjetas de memoria SD . . .	9
Cómo sacar la tarjeta de su caja	2	Verificación de los datos proxy	10
Instalación de la tarjeta P2 PROXY . . .	3	Fallos en la grabación proxy	11
		Especificaciones	13

Precauciones en el manejo y en el almacenamiento

- Para reducir el riesgo de incendios, sacudidas eléctricas, daños o mal funcionamiento de su equipo, no lo someta a choques, no lo incline, no lo haga caer ni lo exponga a la humedad.
- Después de quitar la tarjeta del equipo, póngale inmediatamente la tapa para proteger sus terminales del polvo y de la suciedad.
Cuando se guarda la tarjeta o se transporta en cualquier lugar, póngala en su caja de protección.
- No deje la tarjeta donde pueda quedar expuesta a gases corrosivos.
- No quite esta tarjeta desde un camascopio basado en tarjeta de memoria durante la grabación proxy. No apague el camascopio basado en tarjeta de memoria ni quite las baterías durante la grabación proxy.
Dichas acciones borrarán los datos proxy que se están grabando.
- Para conseguir asistencia en la instalación de esta tarjeta en camascopios basados en tarjeta de memoria compatibles con la grabación proxy, consulte su distribuidor o el proveedor de servicios designado a tal efecto.

Características

El AJ-YAX800G ("Tarjeta P2 PROXY") es una tarjeta codificadora de video de tipo tarjeta de PC (misma forma que una tarjeta P2).

Puede crear un archivo de datos comprimido a partir del material grabado con un camascopio basado en tarjeta de memoria ("Cámara P2"), y guardar ese archivo por separado respecto al material original.

Los archivos creados con esta función incluyen un archivo audiovisual que está comprimido utilizando el formato MPEG4, y un archivo metadata de tiempo real (código de tiempo, bits del usuario e información UMID). Éstos se pueden guardar en tarjetas P2 o en tarjetas de memoria SD.

El material grabado con una cámara P2 se puede guardar como archivos de datos, que tienen una capacidad inferior respecto al material original.

Composición del producto

- Tarjeta P2 PROXY×1
- Tapa×1
- Caja×1

Cómo sacar la tarjeta de su caja

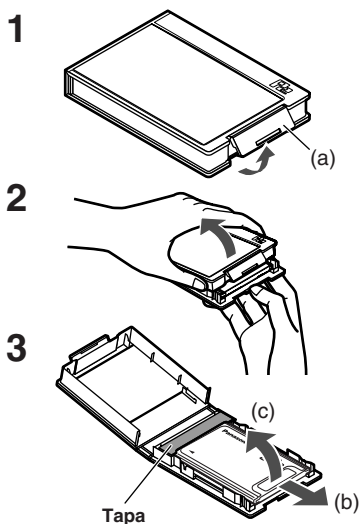
1 Suelte el bloqueo en el área (a).

2 Abra la caja.

- Mientras saca la tarjeta, mantenga la caja en el sentido mostrado en la figura para que la tarjeta no se caiga en el suelo.
- Para evitar que la caja quede dañada, no intente abrirla desde el área de agarre (a).

3 Saque la tarjeta.

- Para sacar tan sólo la tarjeta, deslícela en el sentido (b).
- Para sacar la tarjeta con la tapa, mueva en el sentido (c) mientras al mismo tiempo la pulsa en el sentido de la tapa.



Instalación de la tarjeta P2 PROXY

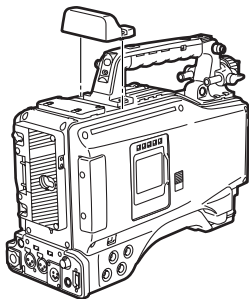
Inserte una tarjeta P2 PROXY en la ranura OPTION de la cámara P2.

Note que la tarjeta tiene que insertarse en la ranura de tarjeta P2 No. 5 si en la ranura OPTION ya hay instalada otra tarjeta.

Cómo insertar una tarjeta en la ranura OPTION

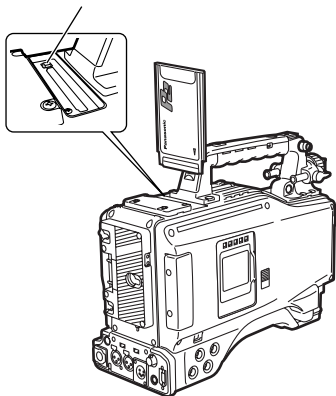
1 Apague la cámara P2.
La cámara no reconocerá la tarjeta P2 PROXY si ésta se inserta en la cámara cuando está encendida.

2 Quite los dos tornillos y levante la tapa de la ranura OPTION.



3 Controle si el botón de expulsión está apretado y luego inserte una tarjeta P2 PROXY en la ranura.

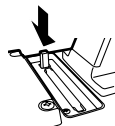
Botón EJECT



4 Vuelva a colocar la tapa de la ranura OPTION y apriete de nuevo los dos tornillos.

Cómo quitar la tarjeta P2 PROXY de la ranura OPTION

1 Pulse el botón de expulsión y controle si el botón está apretado.



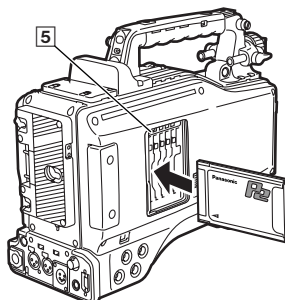
2 Pulse de nuevo el botón de expulsión.

Esta operación suelta la tarjeta P2 PROXY. Quítela de la ranura.

Cómo insertar una tarjeta P2 PROXY en la ranura de tarjeta P2

Asegúrese haber insertado la tarjeta P2 PROXY en la ranura No. 5. La grabación de datos proxy no se llevará a cabo si la tarjeta P2 PROXY está insertada en una ranura distinta.

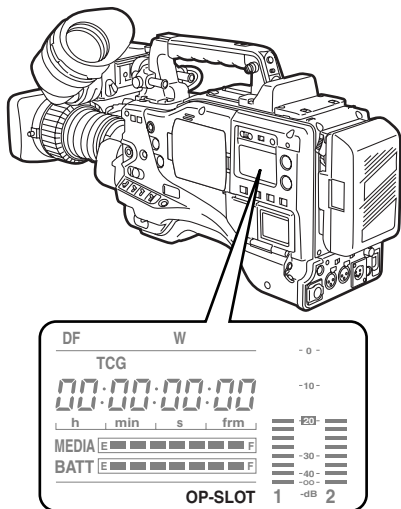
Para más información acerca de cómo insertar las tarjetas, consulte el manual de instrucciones de la cámara P2.



Verificación de las operaciones

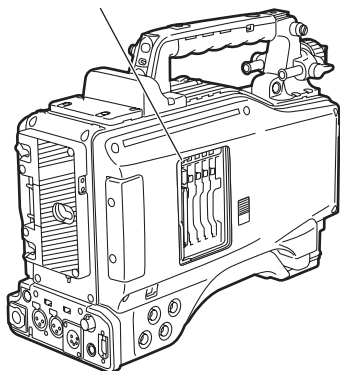
Encienda la cámara P2 para comprobar si la tarjeta P2 PROXY está funcionando.

- Cuando en la ranura OPTION se inserta una tarjeta P2 PROXY y se reconoce correctamente, la ventana de visualización de la cámara P2 muestra “OP-SLOT”.



- Cuando en la ranura para tarjetas P2 No. 5 se inserta una tarjeta P2 PROXY y se reconoce correctamente, el LED de acceso se ilumina de color naranja.

LED de acceso

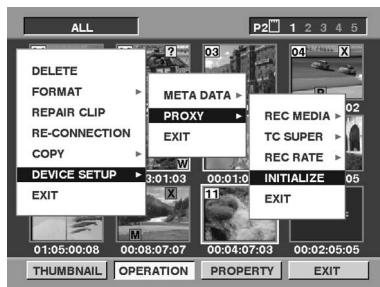


Cuando se utiliza una tarjeta P2 PROXY con una cámara P2 por primera vez, hay que inicializar la tarjeta desde el menú PROXY.

Inicialización de una tarjeta P2 PROXY

- 1 Inserte una tarjeta P2 PROXY en la cámara P2 y enciéndala.
- 2 Pulse el botón THUMBNAIL para visualizar la pantalla de las miniaturas.
- 3 Pulse el botón MENU BAR para mover el puntero en la barra de menús.
- 4 Seleccione OPERATION → DEVICE SETUP → PROXY → INITIALIZE → YES utilizando los botones CURSOR y el botón SET.

La inicialización ha terminado.



Verificación de las operaciones (continuación)

Verificación en la pantalla de las miniaturas

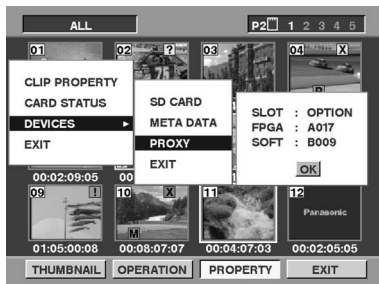
- 1 Pulse el botón THUMBNAIL para visualizar la pantalla de las miniaturas.
- 2 Pulse el botón MENU BAR para mover el puntero en la barra de menús.
- 3 Pulse el botón CURSOR para mover el puntero en "PROPERTY", y pulse el botón SET.
- 4 Pulse el botón CURSOR para mover el puntero en "DEVICES", y pulse el botón SET.
- 5 Pulse el botón CURSOR para mover el puntero en "PROXY", y pulse el botón SET.

Se visualiza el mensaje "SOFT: NO VERSION". Esto no indica un fallo, sino que resulta del hecho de que con la grabación de datos proxy se refleja la versión.

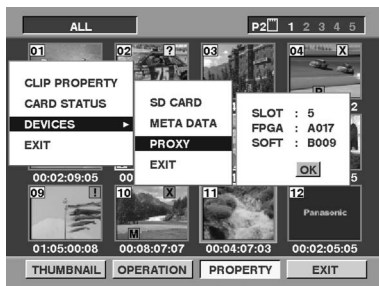
Cuando la cámara está encendida



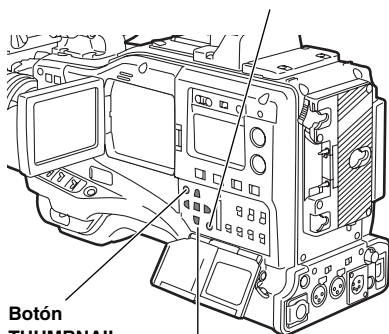
Después de la grabación de datos proxy (ranura OPTION)



(Ranura de tarjeta P2 No. 5)



Botón MENU BAR



Botón THUMBNAIL

△△△ Botones CURSOR

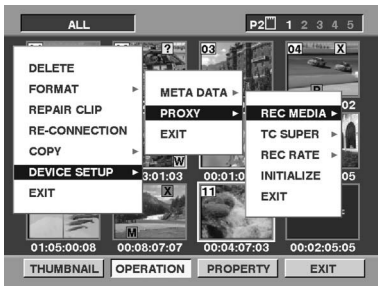
□ Botón SET

ESPAÑOL

Menú PROXY

Ajuste del menú

- 1 Inserte una tarjeta P2 PROXY en la cámara P2 y luego enciéndala.
- 2 Pulse el botón THUMBNAIL para visualizar la pantalla de las miniaturas.
- 3 Pulse el botón MENU BAR para mover el puntero en la barra de menús.
- 4 Seleccione OPERATION ➔ DEVICE SETUP ➔ PROXY utilizando los botones CURSOR y el botón SET.
- 5 Seleccione los elementos del menú y especifique los valores utilizando los botones CURSOR y el botón SET.



Menú PROXY

Elementos	Rango ajustable
REC MEDIA	OFF P2 P2&SD
<p>Seleccione el medio para la grabación de datos proxy.</p> <p>OFF: No hay grabados datos proxy.</p> <p>P2: Los datos proxy están grabados en la tarjeta P2.</p> <p>P2&SD: Los datos proxy están grabados tanto en la tarjeta P2 como en la tarjeta de memoria SD.</p> <ul style="list-style-type: none"> ● El memo de voz se graba tanto en la tarjeta P2 como en la tarjeta de memoria SD, si graba un memo de voz durante la grabación de datos proxy. ● Si graba un memo de voz después de que la grabación de datos proxy ha acabado, el memo de voz se graba tan sólo en la tarjeta P2. 	
TC SUPER	OFF UPPER LOWER
<p>Especifique una opción para sobreponer la visualización del código de tiempo en el video grabado como datos proxy.</p> <p>OFF: La visualización del código de tiempo no está sobrepuesta en el video grabado.</p> <p>UPPER: La visualización del código de tiempo está sobrepuesta en la parte superior del video grabado.</p> <p>LOWER: La visualización del código de tiempo está sobrepuesta en la parte inferior del video grabado.</p>	
REC RATE	192kbps 768kbps 1500 kbps
<p>Especifique la velocidad de grabación para la grabación de datos proxy.</p>	
INITIALIZE	_____
<p>Inicializa el menú PROXY y los datos de ajuste en la cámara P2.</p> <ul style="list-style-type: none"> ● Asegúrese haber llevado a cabo esta inicialización la primera vez que inserta una tarjeta P2 PROXY en una cámara P2 compatible con la grabación proxy. 	

_____ en la columna del rango ajustable indica el valor inicial.

Menú PROXY (continuación)

■ Los datos proxy no se graban durante la operación en los siguientes modos:

- Grabación digital de IEEE1394
- INTERVAL REC
- LOOP REC

■ Para visualizar la información capturada por medio de la grabación de datos proxy en el visor de la cámara P2, seleccione “ON” como elemento de menú de “PROXY REC” desde la pantalla <VF INDICATOR2> de la página VF del menú de la cámara P2.

Al principio de la grabación se visualizará “PROXY REC P2” o “PROXY REC P2&SD”.

■ Si los datos proxy se graban en la tarjeta P2 durante la filmación del material, el tiempo de grabación podría ser más corto que el tiempo indicado en el manual de instrucciones de la tarjeta P2.

■ Durante el ajuste del menú PROXY, la cámara P2 no puede llevar a cabo ninguna operación de grabación.

Velocidad de grabación y señales de grabación (Video y audio)

Velocidad de grabación	Video (QVGA)	Audio
192 kbps	NTSC (525i) 15 fotogramas/seg. PAL (625i) 12,5 fotogramas/seg.	Monaural (Mezcla de CH1 y CH2), 32 kbps/canal
768 kbps	NTSC (525i) 30 fotogramas/seg. PAL (625i) 25 fotogramas/seg.	Estereofónico (CH1•CH2), 64 kbps/canal
1500 kbps	NTSC (525i) 30 fotogramas/seg. PAL (625i) 25 fotogramas/seg.	Estereofónico (CH1•CH2), 64 kbps/canal

La velocidad de grabación se refiere a la velocidad de grabación de las señales de video.

Menú PROXY (continuación)

Grabación proxy en el modo 24P/24PA [Aplicable tan sólo al NTSC (525i)]

Cuando el modo de funcionamiento de la cámara P2 está fijado en 24P (2:3) o 24PA (2:3:3:2) para la grabación proxy, la secuencia de 5 fotogramas será como sigue, dependiendo de la velocidad de grabación:

Velocidad de grabación: 768 kbps, 1500 kbps

24P (2:3)

Secuencia No.	0	1	2	3	4					
Imágenes de material original	0	<u>0</u>	1	<u>1</u>	1	<u>2</u>	2	<u>3</u>	3	<u>3</u>
Imágenes de grabación proxy	0	1	1	2	3					

- El subrayado indica las imágenes del segundo campo.

24PA (2:3:3:2)

Secuencia No.	0	1	2	3	4					
Imágenes de material original	0	<u>0</u>	1	<u>1</u>	1	<u>2</u>	2	<u>2</u>	3	<u>3</u>
Imágenes de grabación proxy	0	1	1	2	3					

Velocidad de grabación: 192 kbps

Si la velocidad de grabación es 192 kbps, la frecuencia de 5 fotogramas no se llevará a cabo correctamente.

24P (2:3)

Secuencia No.	0	1	2	3	4	0	1	2	3	4										
Imágenes de material original	0	<u>0</u>	1	<u>1</u>	1	<u>2</u>	2	<u>3</u>	3	<u>3</u>	4	<u>4</u>	5	<u>5</u>	5	<u>6</u>	6	<u>7</u>	7	<u>7</u>
Imágenes de grabación proxy	0		1		3		5		6											

24PA (2:3:3:2)

Secuencia No.	0	1	2	3	4	0	1	2	3	4										
Imágenes de material original	0	<u>0</u>	1	<u>1</u>	1	<u>2</u>	2	<u>2</u>	3	<u>3</u>	4	<u>4</u>	5	<u>5</u>	5	<u>6</u>	6	<u>6</u>	7	<u>7</u>
Imágenes de grabación proxy	0		1		3		5		6											

Grabación en tarjetas de memoria SD

Para la grabación de datos proxy, hay que utilizar tarjetas de memoria SD de 256 MB, de 512 MB o de 1 GB con la indicación "High Speed".

Para más información, visite el sitio:

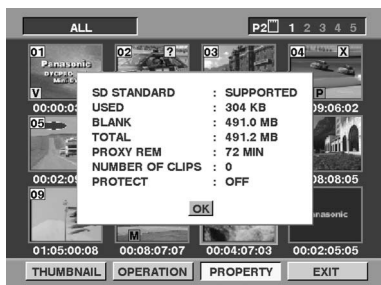
<http://panasonic.biz/sav/p2>

Para la grabación de datos proxy, formatee la tarjeta de memoria SD utilizando una cámara P2.

- También pueden utilizarse tarjetas de memoria SD formateadas en un PC bajo el estándar SD.
- Para más información acerca de cómo manejar las tarjetas de memoria SD, consulte el manual de instrucciones de la cámara P2.

Verificación de una tarjeta de memoria SD

- 1 Inserte una tarjeta de memoria SD en la cámara P2.
- 2 Pulse el botón THUMBNAIL para visualizar la pantalla de las miniaturas.
- 3 Pulse el botón MENU BAR para mover el puntero en la barra de menús.
- 4 Seleccione PROPERTY → DEVICES → SD CARD, utilizando los botones CURSOR y el botón SET.



- El estado del formato se visualiza bajo el elemento "SD STANDARD". Si se visualiza "NOT SUPPORTED", formatee la tarjeta utilizando la cámara P2.
- Compruebe el espacio libre restante para la grabación de datos proxy bajo el actual ajuste de la velocidad de grabación, seleccionando el elemento "PROXY REM".
- Compruebe el número de clips grabados en la tarjeta de memoria SD seleccionando el elemento "NUMBER OF CLIPS". Si el número de clips grabados es superior a 1000, la grabación de datos proxy no se llevará a cabo, incluso si la tarjeta de memoria SD aún tiene espacio libre.
- Si el material se ha grabado a través de tarjetas P2 múltiples, el número de clips visualizados en la pantalla de las miniaturas será distinto del número de clips de datos proxy grabados en la tarjeta de memoria SD.
- La marca de toma no se puede añadir en los clips contenidos en la tarjeta de memoria SD pulsando el botón SHOT MARK en la cámara P2.
- Los datos proxy grabados en la tarjeta de memoria SD no se borrarán con el borrado de los clips grabados en la tarjeta P2 desde la pantalla de las miniaturas de la cámara P2.

Grabación en tarjetas de memoria SD (continuación)

Formateo de una tarjeta de memoria SD

- 1 Inserte una tarjeta de memoria SD en la cámara P2.
- 2 Pulse el botón THUMBNAIL para visualizar la pantalla de las miniaturas.
- 3 Pulse el botón MENU BAR para mover el puntero en la barra de menús.
- 4 Seleccione OPERATION ➔ FORMAT ➔ SD CARD ➔ YES, utilizando los botones CURSOR y el botón SET.

Esto completa el formateo de la tarjeta de memoria SD.

<Nota>


Si el elemento de menú "REC MEDIA" en el menú PROXY está puesto en "P2&SD", pero en la tarjeta de memoria SD no se lleva a cabo la grabación de datos proxy, al principio de la grabación se visualiza el mensaje "SD CARD WRITE ERR". En este caso, compruebe la tarjeta de memoria SD. Para más información, consulte "Fallos en la grabación proxy" (página 11).

Tiempo de grabación aproximado para la grabación de datos proxy

Pieza No. y capacidad de las tarjetas de memoria SD	Velocidad de grabación y tiempo de grabación		
	192 kbps	768 kbps	1500 kbps
RP-SDH256N1A (256 MB)	Aproximadamente 137 minutos	Aproximadamente 35 minutos	Aproximadamente 19 minutos
RP-SDH512N1A (512 MB)	Aproximadamente 278 minutos	Aproximadamente 71 minutos	Aproximadamente 39 minutos
RP-SDH512J1A (512 MB)	Aproximadamente 237 minutos	Aproximadamente 69 minutos	Aproximadamente 38 minutos
RP-SDH0G1J1A (1 GB)	Aproximadamente 536 minutos	Aproximadamente 139 minutos	Aproximadamente 77 minutos
RP-SDK0G1J1A (1 GB)	Aproximadamente 536 minutos	Aproximadamente 139 minutos	Aproximadamente 77 minutos

El tiempo de grabación real depende de las condiciones de grabación (número de escenas, memos de voz y clips.)

Verificación de los datos proxy

- El indicador  se visualiza para los clips de material que incluyen datos proxy.
- Los datos proxy se graban en una tarjeta P2 y/o en una tarjeta de memoria SD como archivo audiovisual y archivo metadata en tiempo real.

Archivo audiovisual:

xxxxxxxx.MP4

Los datos están conformes con el estándar ISO/IEC14496.

Archivo metadata en tiempo real:

xxxxxxxx.BIN

Para cada fotograma se graban el código de tiempo, los bits del usuario y la información UMID.

Compruebe los datos proxy utilizando P2 Viewer.

Para más información acerca de P2 Viewer, visite el sitio:

<http://panasonic.biz/sav/p2>

Fallos en la grabación proxy

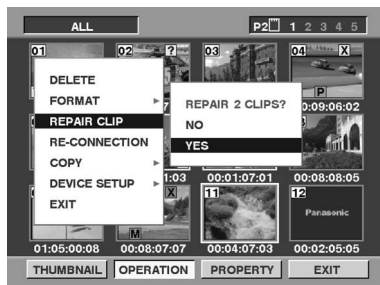
Si se produce un fallo durante la grabación de datos proxy, consulte lo siguiente para llevar a cabo la acción más apropiada:

Visualización fallo	Operación y causas	Acción
Visor: TURN POWER OFF Ventana de visualización: E-30	La grabación de datos proxy se detiene. <ul style="list-style-type: none"> ● La tarjeta P2 o la tarjeta P2 PROXY se ha removido durante la grabación. 	Apague la cámara P2 y luego vuélvala a encender para llevar a cabo las operaciones de grabación y de reproducción con el objetivo de comprobar el resultado.
Visor: REC WARNING Ventana de visualización: 00:00:00:11	La grabación de datos proxy se detiene. <ul style="list-style-type: none"> ● Se ha producido un fallo durante la grabación en la tarjeta P2. 	Restablece los clips en la tarjeta P2 removida (véase página 12). <ul style="list-style-type: none"> ● Los datos proxy grabados en la tarjeta P2 se borran. ● Los datos proxy grabados en la tarjeta de memoria SD no pueden restaurarse.
Visor: EOM (SD)	La grabación de datos proxy en la tarjeta de memoria SD se detiene, pero la grabación en la tarjeta P2 continúa. <ul style="list-style-type: none"> ● No queda más espacio libre en la tarjeta de memoria SD. 	Inserte una nueva tarjeta de memoria SD después de que la grabación ha acabado. <ul style="list-style-type: none"> ● Los datos proxy que se están grabando en la tarjeta de memoria SD se borran. <p>Para restaurar los datos proxy borrados, seleccione los clips en la tarjeta P2 y cópielos en la tarjeta de memoria SD (véase página 12).</p>
Visor: SD CARD WRITE ERR	La grabación de datos proxy en la tarjeta de memoria SD se detiene, pero la grabación en la tarjeta P2 continúa. Este mensaje se visualiza cuando el elemento de menú "REC MEDIA" en el menú PROXY está fijado en "P2&SD", pero la grabación de datos proxy no se puede llevar a cabo en la tarjeta de memoria SD. <ul style="list-style-type: none"> ■ El mensaje se visualiza al principio de la grabación <ul style="list-style-type: none"> ● No hay insertada ninguna tarjeta de memoria SD. ● La tarjeta de memoria SD ha sido formateada en un formato no compatible. ● La tarjeta de memoria SD está protegida contra la escritura. ● La tarjeta de memoria SD contiene más de 1000 clips grabados. ■ El mensaje se visualiza durante la grabación <ul style="list-style-type: none"> ● La tarjeta de memoria SD se ha removido durante la grabación. ● Se ha producido un error durante la grabación en la tarjeta de memoria SD. 	Compruebe el estado de la tarjeta de memoria SD e inserte otra tarjeta grabable (véase página 9).
Visor: PROXY CARD ERROR	La grabación de datos proxy se detiene, pero la grabación en la tarjeta P2 continúa. <ul style="list-style-type: none"> ● Se ha producido un fallo en la tarjeta P2 PROXY. ● Error en las señales de entrada en la tarjeta P2 PROXY. 	Los datos proxy no pueden grabarse correctamente. Apague la cámara P2 y luego vuélvala a encender para llevar a cabo las operaciones de grabación y de reproducción con el objetivo de comprobar el resultado.

Fallos en la grabación proxy (continuación)

Cómo restaurar los clips

- 1 Pulse el botón THUMBNAIL para visualizar la pantalla de las miniaturas.
- 2 Coloque el puntero encima de los clips por restaurar utilizando los botones CURSOR y pulse el botón SET.
- 3 Pulse el botón MENU BAR para mover el puntero en la barra de menús.
- 4 Seleccione OPERATION → REPAIR CLIP → YES, utilizando los botones CURSOR y el botón SET.



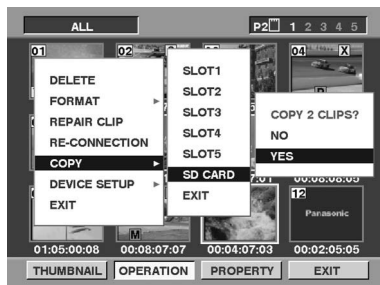
<Nota>

Cuando los clips se han restaurado;

- Los datos proxy grabados en la tarjeta P2 se borran.
- Los datos proxy grabados en la tarjeta de memoria SD no pueden restaurarse.

Copiado de clips en una tarjeta de memoria SD

- 1 Pulse el botón THUMBNAIL para visualizar la pantalla de las miniaturas.
- 2 Coloque el puntero encima de los clips por copiar utilizando los botones CURSOR y pulse el botón SET.
- 3 Pulse el botón MENU BAR para mover el puntero en la barra de menús.
- 4 Seleccione OPERATION → COPY → SD CARD → YES, utilizando los botones CURSOR y el botón SET.



Especificaciones

Voltaje de entrada:

DC 3,3 V \pm 0,3 V

Consumo de energía:

Máximo 1,5 W

Temperatura de funcionamiento:

De 0 °C a +40 °C

Humedad de funcionamiento:

Entre el 10 % y el 85 % (sin condensación)

Temperatura de almacenamiento:

De -20 °C a +60 °C

Humedad ambiental de almacenamiento:

Entre el 10 % y el 85 % (sin condensación)

Masa:

aprox. 43 g

Dimensiones (An×Al×Prof):

aprox. 54 mm × 5 mm × 85,6 mm

Interfaz:

Tarjeta para PC estándar

Formato de archivo:

MP4 (estándar ISO/IEC14496)

Formato de compresión de video:

Perfil sencillo de MPEG4 (4:2:0)

Formato de compresión de audio:

AAC (Advanced Audio Coding)

Modo de ajuste:

192 kbps

Video : QVGA, 15 fotogramas/seg. (525i), 12,5 fotogramas/seg. (625i)

Audio : Monaural (mezcla de CH1 y CH2), 32 kbps/canal

768 kbps

Video : QVGA, 30 fotogramas/seg. (525i), 25 fotogramas/seg. (625i)

Audio : Estereofónico (CH1•CH2), 64 kbps/canal

1500 kbps

Video : QVGA, 30 fotogramas/seg. (525i), 25 fotogramas/seg. (625i)

Audio : Estereofónico (CH1•CH2), 64 kbps/canal

Las especificaciones están sujetas a cambios sin previo aviso.

La masa y las dimensiones indicados son aproximados.

- 为避免火灾、电击以及设备的损害或故障，不要分解和改装本机。
- 如果发现冒烟、闻到强烈的气味或听到声音时，或者如果液体进入卡内时，请立即停止使用该卡。

本产品相关软件信息

顾客公告：本产品中包括基于 GNU General Public License (GPL) 和 GNU Lesser General Public License (LGPL) 授权的软件，顾客有权获得、变更和再次发布这些软件的源代码。

可以在本说明书的 GPL/LGPL 部中找到关于 GPL/LGPL 的详细资料。其内容以原文（英文）记载。

另外，请浏览下述网站以获得源代码。

<http://panasonic.biz/sav/>

恕不答复有关顾客从上述网站所获得的源代码内容的咨询。

目录表

操作和保存时的注意事项	1	低码率素材菜单	6
特点	2	在 SD 存储卡上记录	9
产品的构成	2	确认低码率素材数据	10
如何从盒中取出卡	2	低码率素材记录时的错误	11
安装 P2 低码率卡	3	规格	13
确认操作	4		

操作和保存时的注意事项

- 为避免火灾、电击以及设备的损害或故障，不要碰撞、弯曲、跌落或将其暴露在湿气中。
- 从设备中取出卡后，请立即盖上盖子以防止其端子进灰和弄脏。
存储或携带卡时，请将其保存在保护盒内。
- 不要将卡放置在可能会接触到腐蚀性气体的地方。
- 在低码率素材数据记录过程中，不要从广播级数字摄录一体机中取出卡。在低码率素材数据记录过程中，不要关闭广播级数字摄录一体机的电源或者取出电池。
这样的动作将会删除正在记录的低码率素材数据。
- 在将本卡安装到支持低码率素材记录的广播级数字摄录一体机中时，若需要帮助，请咨询销售商店或指定的服务部门。

特点

AJ-YAX800G (“P2 低码率卡”) 是一种 PC 卡型视频编码卡 (形状与 P2 卡相同)。它可以将广播级数字摄录一体机 (“P2 摄录一体机”) 记录的素材生成一个压缩数据文件, 并可以将该文件与原始素材分别保存。

用本功能制作的文件包括一个用 MPEG4 格式压缩的视听文件和一个实时元数据文件 (时间码、用户比特和 UMID 信息)。这些文件可以存储在 P2 卡或 SD 存储卡上。

用 P2 摄录一体机记录的素材可以存储为数据文件, 它会比原始资料的容量要小一些。

产品的构成

- P2 低码率卡 × 1
- 盒盖 × 1
- 盒子 × 1

如何从盒中取出卡

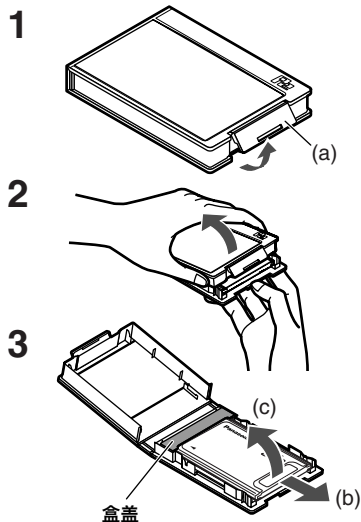
1 松开区域 (a) 的卡锁。

2 打开盒子。

- 取卡时, 要按图中所示方向握住盒子, 这样卡就不会掉到地板或地面上。
- 若要避免盒子损坏, 就不要试图握着区域 (a) 来打开盒子。

3 取出卡。

- 若只是取出卡, 请朝 (b) 方向滑动卡。
- 若要用盒盖取出卡, 请在朝盒盖方向推动盖子的同时朝 (c) 方向向上提起盖子。



中文

安装 P2 低码率卡

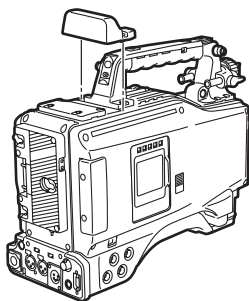
将 P2 低码率卡插入 P2 摄录一体机的选件插槽。

如果其他卡已经插入该选件插槽，则 P2 低码率卡应插在 [5] 号 P2 卡插槽中。

将卡插入选件插槽

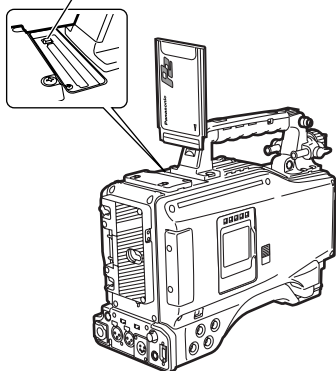
1 关闭 P2 摄录一体机。
如果在电源打开时将 P2 低码率卡插入摄像机，则该卡将不能被识别。

2 取下两个螺丝，取下选件插槽的盖子。



3 确认按下弹出按钮，然后将 P2 低码率卡插入槽中。

弹出按钮



4 装上选件插槽盖，再次固定两个螺丝。

从选件插槽中取出 P2 低码率卡

1 按下弹出按钮，确认按钮已经弹起。



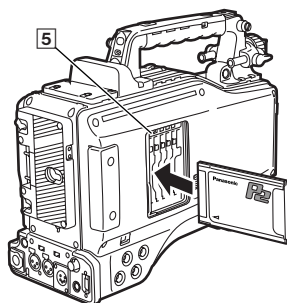
2 再次按下弹出按钮。

本操作将弹出 P2 低码率卡。从插槽中将其取出。

将 P2 低码率卡插入 P2 卡插槽中

请务必将 P2 低码率卡插入 [5] 号插槽。如果 P2 低码率卡插在别的插槽中，则不能执行低码率素材数据记录。

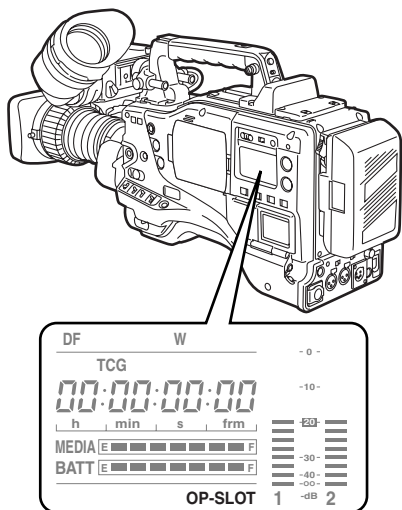
有关插入卡的更多信息，请参阅 P2 摄录一体机的操作手册。



确认操作

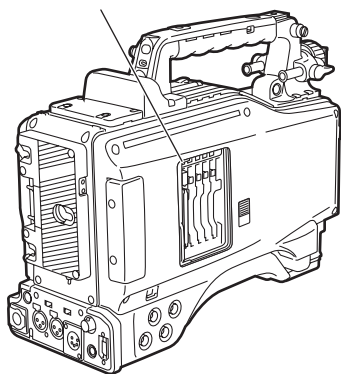
打开P2摄录一体机确认P2低码率卡正在工作。

- 当P2低码率卡插入到选件插槽并被识别时，P2摄录一体机的显示窗显示出“OP-SLOT”。



- 当P2低码率卡插入到P2卡的 [5] 号插槽并被识别时，访问LED呈橙色闪烁。

访问LED



在P2摄录一体机上第一次使用P2低码率卡时，需要从低码率素材菜单将卡初始化。

初始化P2低码率卡

- ① 将P2低码率卡插入P2摄录一体机后打开电源。
- ② 按下缩略图按钮显示缩略图画面。
- ③ 按下菜单栏按钮将指针移动到菜单栏。
- ④ 用光标按钮和SET按钮，选择“操作”
➡ “设备设置” ➡ “低码率素材” ➡ “初始化” ➡ “是”。

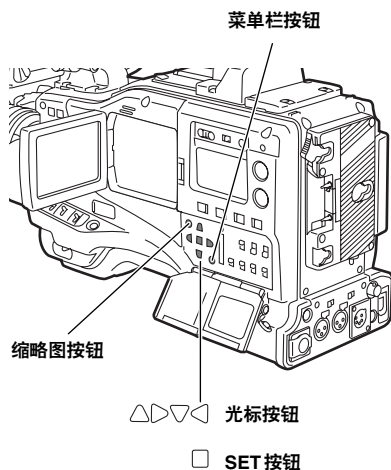
这样初始化完成。



确认操作 (继续)

在缩略图画面上确认

- 1 按下缩略图按钮显示缩略图画面。
- 2 按下菜单栏按钮将指针移动到菜单栏。
- 3 按下光标按钮将指针移动到“属性”，然后按下SET按钮。
- 4 按下光标按钮将指针移动到“设备”，然后按下SET按钮。
- 5 按下光标按钮将指针移动到“低码率素材”，然后按下SET按钮。



显示出“软件版本：不能取得”的信息。这并不表示出现了错误，而是低码率素材数据记录版本所反映事实的结果。

电源打开时



低码率素材数据记录后 (选件插槽)



[5] P2 卡插槽



低码率素材菜单

设置菜单

- ❶ 将 P2 低码率卡插入 P2 摄录一体机后打开电源。
- ❷ 按下缩略图按钮显示缩略图画画。
- ❸ 按下菜单栏按钮将指针移动到菜单栏。
- ❹ 用光标按钮和 SET 按钮，选择“操作”
 ▶ “设备设置” ▶ “低码率素材”。
- ❺ 用光标按钮和 SET 按钮，选择菜单项目和指定值。



低码率素材菜单

项目	可调整的范围
记录低码率	OFF P2 P2&SD
为低码率素材数据记录选择媒体。 OFF: 不记录低码率素材数据。 P2: 在 P2 卡上记录低码率素材数据 P2&SD: 同时在 P2 卡和 SD 存储卡上记录低码率素材数据。 <ul style="list-style-type: none"> ● 如果在低码率素材数据记录的时候记录语音提示，语音提示会同记录在 P2 卡和 SD 存储卡上。 ● 如果在低码率素材数据记录后记录语音提示，语音提示仅记录在 P2 卡上。 	
TC 字符	OFF 上段 下段
指定一项，将时间码添加到记录的视频上，作为低码率素材数据显示。 OFF: 在记录的视频上不添加时间码显示。 上段: 在记录视频的上部添加时间码显示。 下段: 在记录视频的下部添加时间码显示。	
记录码率	192kbps 768kbps 1500 kbps
为低码率素材数据记录指定记录码率。	
初始化	_____
初始化低码率素材菜单并在 P2 摄录一体机中设置数据。 ● 请务必在首次将 P2 低码率卡插入支持低码率素材记录的 P2 摄录一体机中进行初始化。	

中文

可变范围的 _____ 为初始值。

低码率素材菜单 (继续)

■ 在下列模式下操作时，不能记录低码率素材数据：

- IEEE1394 数字记录
- INTERVAL REC
- LOOP REC

■ 若想在 P2 摄录一体机的寻像器上显示用低码率素材数据记录拍摄的信息，请从 P2 摄录一体机的 VF 菜单页的 <VF INDICATOR2> 画面 中 将 “PROXY REC” 菜单项选择为 “ON”。在记录的开始 “PROXY REC P2” 和 “PROXY REC P2&SD” 都不会显示。

■ 在素材拍摄的过程中，如果低码率素材数据记录在 P2 卡上，则记录的时间可能比 P2 卡操作手册上说明的时间短。

■ 在低码率素材菜单设置过程中，P2 摄录一体机不能进行任何记录操作。

记录码率和记录信号 (视频和音频)

记录码率	视频 (QVGA)	音频
192 kbps	NTSC(525i) 15 帧/秒 PAL(625i) 12.5 帧/秒	非立体声 (CH1 和 CH2 混 合), 每声道 32 kbps
768 kbps	NTSC(525i) 30 帧/秒 PAL(625i) 25 帧/秒	立体声 (CH1•CH2), 每声道 64 kbps
1500 kbps	NTSC(525i) 30 帧/秒 PAL(625i) 25 帧/秒	立体声 (CH1•CH2), 每声道 64 kbps

记录码率表示对视频信号的记录码率。

低码率素材菜单 (继续)

24P/24PA 模式 [仅适用于 NTSC (525i)] 下的低码率素材记录

当 P2 摄录一体机的操作模式被设置为 24P (2:3) 或 24PA (2:3:3:2) 进行低码率素材记录时，根据记录的码率连续的 5 帧将如下显示：

记录码率: 768 kbps, 1500 kbps

24P (2:3)

序号	0	1	2	3	4					
原始素材的图像	0	<u>0</u>	1	<u>1</u>	1	<u>2</u>	2	<u>3</u>	3	<u>3</u>
低码率素材记录的图像	0	1	1	2	3					

● 下划线表示第二区的图像。

24PA (2:3:3:2)

序号	0	1	2	3	4					
原始素材的图像	0	<u>0</u>	1	<u>1</u>	1	<u>2</u>	2	<u>2</u>	3	<u>3</u>
低码率素材记录的图像	0	1	1	2	3					

记录码率: 192 kbps

如果记录码率是 192 kbps，则不能正确记录连续的 5 帧。

24P (2:3)

序号	0	1	2	3	4	0	1	2	3	4										
原始素材的图像	0	<u>0</u>	1	<u>1</u>	1	<u>2</u>	2	<u>3</u>	3	<u>3</u>	4	<u>4</u>	5	<u>5</u>	5	<u>6</u>	6	<u>7</u>	7	<u>7</u>
低码率素材记录的图像	0			1			3			5			6							

24PA (2:3:3:2)

序号	0	1	2	3	4	0	1	2	3	4										
原始素材的图像	0	<u>0</u>	1	<u>1</u>	1	<u>2</u>	2	<u>2</u>	3	<u>3</u>	4	<u>4</u>	5	<u>5</u>	5	<u>6</u>	6	<u>6</u>	7	<u>7</u>
低码率素材记录的图像	0			1			3			5			6							

在SD存储卡上记录

对于低码率素材数据记录，可以使用带有“高速”指示的256 MB、512 MB或1 GB的SD存储卡。

有关更多的信息，请浏览：

<http://panasonic.biz/sav/p2>

对于低码率素材数据记录，请用P2摄录一体机格式化SD存储卡。

- 也可以使用在PC上遵照SD标准格式化的SD存储卡。
- 有关操作SD存储卡的更多信息，请参阅P2摄录一体机的操作手册。

确认SD存储卡

- ① 将SD存储卡插入P2摄录一体机中。
- ② 按下缩略图按钮显示缩略图画面。
- ③ 按下菜单栏按钮将指针移动到菜单栏。
- ④ 用光标按钮和SET按钮，选择“属性”
 ▶ “设备” ▶ “SD存储卡”。



- 在“SD卡标准”项目下显示出格式化状态。

如果显示“不支持”，请用P2摄录一体机格式化该卡。

- 通过选择“低码率记录时间”项，确认在当前记录码率设置下用于低码率素材数据记录的剩余容量。
- 通过选择“低码率片段数量”项，确认在SD存储卡上记录的场景片段数量。

如果记录的场景片段数量超过1000，即使SD存储卡仍有剩余容量，低码率素材数据记录也不能被记录。

- 记录时，素材分布在多张P2卡的情况下，缩略图画面上显示的场景片段数量与SD存储卡上记录的码率素材数据的场景片段数量不同。
- 不能通过按P2摄录一体机上的拍摄标记按钮将拍摄标记添加到SD存储卡上的场景片段中。
- 记录在SD存储卡上的低码率素材数据将不能按照记录在P2卡上的场景片段的删除部分从P2摄录一体机的缩略图画面上删除。

在SD存储卡上记录 (继续)

格式化SD存储卡

- ① 将SD存储卡插入P2摄录一体机中。
- ② 按下缩略图按钮显示缩略图画画。
- ③ 按下菜单栏按钮将指针移动到菜单栏。
- ④ 用光标按钮和SET按钮，选择“操作”
➔ “格式化” ➔ “SD存储卡” ➔ “是”。

这样SD存储卡的格式化完成。

低码率素材数据记录的近似记录时间

商品号和SD存储卡的容量	记录码率和记录时间		
	192 kbps	768 kbps	1500 kbps
RP-SDH256N1A (256 MB)	约 137 分钟	约 35 分钟	约 19 分钟
RP-SDH512N1A (512 MB)	约 278 分钟	约 71 分钟	约 39 分钟
RP-SDH512J1A (512 MB)	约 237 分钟	约 69 分钟	约 38 分钟
RP-SDH0G1J1A (1 GB)	约 536 分钟	约 139 分钟	约 77 分钟
RP-SDK0G1J1A (1 GB)	约 536 分钟	约 139 分钟	约 77 分钟

实际记录时间将根据记录条件而定 (场景数量、语音提示和片段。)

<注意>

如果低码率素材菜单的“记录低码率”菜单项被设置为“P2&SD”，而低码率素材数据记录没有记录在SD存储卡上时，将在记录开始时显示“SD CARD WRITE ERR”信息。如果出现该信息，请检查SD存储卡。有关更多的信息，请参阅“低码率素材记录时的错误” (第 11 页)。

确认低码率素材数据

- 与低码率素材数据相关联的素材片段显示 **P** 指示。
- 低码率素材数据记录在 P2 卡和/或 SD 存储卡上，作为视听文件和实时元数据文件。

视听文件：

xxxxxxxx.MP4

数据符合 ISO/IEC14496 标准。

实时元数据文件：

xxxxxxxx.BIN

每一帧都记录有时间码、用户比特和 UMID 信息。

用 P2 播放软件确认低码率素材数据。

有关 P2 播放软件的内容，请浏览：

<http://panasonic.biz/sav/p2>

低码率素材记录时的错误

如果在低码率素材数据记录过程中发生错误，请参阅下表进行适当处理：

显示的错误	操作和原因	动作
寻像器： TURN POWER OFF 显示窗： E-30	停止低码率素材数据记录。 <ul style="list-style-type: none">记录过程中取出 P2 卡或 P2 低码率卡。	关闭 P2 摄录一体机，然后再次打开，为检查请进行记录和重放的操作。修复取出的 P2 卡上的场景片段（请参阅第 12 页）。 <ul style="list-style-type: none">记录在 P2 卡上的低码率素材数据被删除。记录在 SD 存储卡上的低码率素材数据不能被修复。
寻像器： REC WARNING 显示窗： 00:00:00:11	停止低码率素材数据记录。 <ul style="list-style-type: none">在 P2 卡上记录时出现错误。	<ul style="list-style-type: none">记录在 P2 卡上的低码率素材数据被删除。记录在 SD 存储卡上的低码率素材数据不能被修复。
寻像器： EOM (SD)	停止 SD 存储卡上的低码率素材数据记录，但 P2 卡上的记录继续。 <ul style="list-style-type: none">SD 存储卡上没有剩余容量。	记录结束后插入一张新的 SD 存储卡。 <ul style="list-style-type: none">记录在 SD 存储卡上的低码率素材数据被删除。 <p>若想修复被删除的低码率素材数据，在 P2 卡上选择场景片段，然后复制到 SD 存储卡上（请参阅第 12 页）。</p>
寻像器： SD CARD WRITE ERR	停止 SD 存储卡上的低码率素材数据记录，但 P2 卡上的记录继续。 <p>当低码率素材菜单中的“记录低码率”菜单设置为“P2&SD”时出现该信息，但是低码率素材数据记录不能记录到 SD 存储卡上。</p> <ul style="list-style-type: none">在记录开始时出现信息<ul style="list-style-type: none">没有插入 SD 存储卡。SD 存储卡被格式化或不支持的格式。SD 存储卡被写保护。SD 存储卡上已记录的场景片段超过 1000 个。在记录过程中出现信息<ul style="list-style-type: none">记录时 SD 存储卡被取出。在 SD 存储卡上记录时出现错误。	确认 SD 存储卡的状态，然后插入其他可记录的卡（请参阅第 9 页）。
寻像器： PROXY CARD ERROR	停止低码率素材数据记录，但 P2 卡上的记录继续。 <ul style="list-style-type: none">在 P2 低码率卡上出现错误。在 P2 低码率卡的输入信号中出现错误。	不能正确记录低码率素材数据。关闭 P2 摄录一体机，然后再次打开，为检查请进行记录和重放的操作。

低码率素材记录时的错误 (继续)

修复场景片段

- 1 按下缩略图按钮显示缩略图画面。
- 2 用光标按钮确定要修复的场景片段上指针的位置，然后按下 SET 按钮。
- 3 按下菜单栏按钮将指针移动到菜单栏。
- 4 用光标按钮和 SET 按钮，选择“操作”
➔ “修复场景片段” ➔ “是”。



<注意>

修复场景片段时

- 记录在 P2 卡上的低码率素材数据被删除。
- 记录在 SD 存储卡上的低码率素材数据不能被修复。

将片段复制到 SD 存储卡上

- 1 按下缩略图按钮显示缩略图画面。
- 2 用光标按钮确定要复制的场景片段上指针的位置，然后按下 SET 按钮。
- 3 按下菜单栏按钮将指针移动到菜单栏。
- 4 用光标按钮和 SET 按钮，选择“操作”
➔ “复制” ➔ “SD 存储卡” ➔ “是”。



规格

输入电压:

DC 3.3 V \pm 0.3 V

消耗功率:

最大 1.5 W

工作温度:

0°C~+40°C

工作湿度:

10%~85% (无结露)

保管温度:

-20°C~+60°C

保管湿度:

10%~85% (无结露)

质量:

约 43 g

外观尺寸 (宽 × 高 × 深)

约 54 mm × 5 mm × 85.6 mm

接口:

标准 PC 卡

文件格式:

MP4 (ISO/IEC14496 标准)

视频压缩格式:

MPEG4 简单版 (4:2:0)

音频压缩格式:

AAC (Advanced Audio Coding)

设置模式:

192kbps

视频: QVGA, 15 帧/秒 (525i), 12.5 帧/秒 (625i)

音频: 非立体声 (CH1 和 CH2 混合), 每声道 32 kbps

768kbps

视频: QVGA, 30 帧/秒 (525i), 25 帧/秒 (625i)

音频: 立体声 (CH1•CH2), 每声道 64 kbps

1500kbps

视频: QVGA, 30 帧/秒(525i), 25 帧/秒(625i)

音频: 立体声 (CH1•CH2), 每声道 64 kbps

规格如有修改, 恕不另行通知。

所示的质量和尺寸为近似值。

製造番号は、品質管理上重要なものです。
製品本体と保証書の製造番号をお確かめください。

本製品に関するソフトウェア情報

本製品には、GNU General Public License (GPL) ならびに、GNU Lesser General Public License (LGPL) に基づきライセンスされるソフトウェアが含まれており、お客様は、これらのソフトウェアのソースコードの入手・変更・再配布の権利があることをお知らせいたします。

GPL と LGPL に関する詳細は、本書の GPL/LGPL 部でご覧いただけます。なお、原文（英文）で記載しております。

また、ソースコードの入手については、下記のホームページをご覧ください。

<http://panasonic.biz/sav/>

なお、お客様が入手されたソースコードの内容等についてのお問い合わせは、ご連絡ください。

目次

ご注意	1	PROXY メニュー	7
安全上のご注意	2	SD メモリーカードへの記録	10
特長	3	プロキシデータの確認	11
商品構成	3	プロキシ記録のエラー	12
専用ケースからの取り出しかた	3	保証とアフターサービス	14
P2 PROXY カードの取り付け	4	定格	15
動作の確認	5		

ご注意

- 本製品を曲げたり、強い衝撃や振動を与えたり、水に濡らしたりしないでください。故障、誤動作の原因となります。
- 使用機器から取り出したときは、必ず専用キャップを取り付けて砂やほこりがコネクタ部に付着しないようにしてください。
また、保管時や携帯時は、専用ケースに入れてください。
- 腐食性のガスなどが発生するところには置かないでください。
- プロキシデータの記録中は、本製品をメモリーカードカメラレコーダーから抜かないでください。また、プロキシデータの記録中は、メモリーカードカメラレコーダーの電源を切ったり、バッテリーを外したりしないでください。
記録中のプロキシデータが消去されます。
- 本製品をプロキシ対応のメモリーカードカメラレコーダーに取り付ける場合は、販売店または、販売店指定のサービス店にお問い合わせください。

安全上のご注意

必ずお守りください

お使いになる人や他の人への危害、財産への損害を未然に防止するため、必ずお守りいただくことを、次のように説明しています。

■表示内容を無視して誤った使い方をしたときに生じる危害や損害の程度を、次の表示で区分し、説明しています。



警告

この表示の欄は、「死亡または重傷などを負う可能性が想定される」内容です。

■お守りいただく内容の種類を、次の絵表示で区分し、説明しています。
(下記は、絵表示の一例です。)



このような絵表示は、してはいけない「禁止」内容です。



このような絵表示は、必ず実行していただく「強制」内容です。

警告



分解禁止

分解や改造をしない

火災、感電の恐れや使用機器を損傷することがあります。
点検や修理などは、サービスセンターへご依頼ください。



異常が発生したときは使用を中止する

(煙や異臭、異音が出たり、液体、異物などが内部に入ったときや、破損したとき)

そのまま使用すると火災の原因になります。
使用機器の電源を切り、サービスセンターにご相談ください。

特 長

AJ-YAX800Gは、PCカード型（P2カードと同じ形状）のビデオエンコーダーカード（以下“P2 PROXYカード”と記載）です。

メモリーカードカメラレコーダー（以下“P2 カム”と記載）で撮影した素材を圧縮データファイルにして、素材とは別の領域に記録する機能を持っています。

このファイルは、MPEG4 型式で圧縮した映像音声ファイルとリアルタイムメタデータファイル（タイムコード・ユーザーズビット・UMID 情報）で、P2カードやSDメモリーカードに記録します。

撮影した素材を、素材よりも容量の少ないデータファイルとして記録することができます。

商品構成

- P2 PROXYカード×1
- キャップ×1
- ケース×1

専用ケースからの取り出しかた

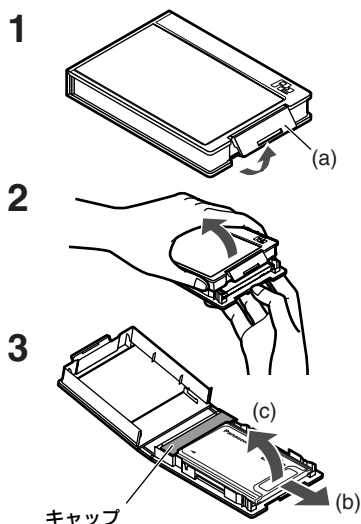
1 (a)部のロックを外す

2 ケースを開ける

- カードの落下防止のため、作業中のケースの保持方向は図のようにしてください。
- ケースの損傷防止のため(a)部を持って開けないでください。

3 カードを取り出す

- カードのみを取り出すときは、(b)方向にスライドさせます。
- キャップ付きで取り出すときは、キャップ方向に押しながら(c)方向に取り出します。



日本語

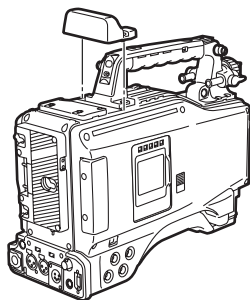
P2 PROXY カードの取り付け

P2 PROXY カードは、P2 カムの OPTION スロットに挿入してください。OPTION スロットに他のカードが挿入されているときは、P2 カードスロット ⑤ に挿入してください。

OPTION スロットに挿入する

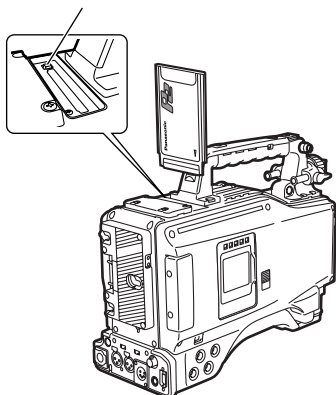
1 P2 カムの電源を OFF にします。
電源が ON の状態で P2 PROXY カードを挿入しても、認識されません。

2 ネジ 2 本を外し、OPTION スロットのカバーを外します。



3 イジェクトボタンが押し込まれた状態で P2 PROXY カードを挿入します。

イジェクトボタン



4 ネジ 2 本で OPTION スロットのカバーを取り付けます。

OPTION スロットから取り外す場合

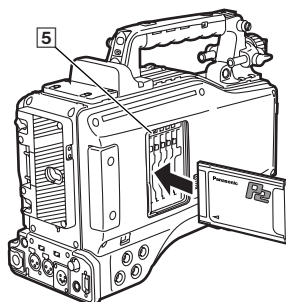
① イジェクトボタンを押して、イジェクトボタンが飛び出した状態にします。



② 再度イジェクトボタンを押します。
P2 PROXY カードが出てきますので、取り外してください。

P2 カードスロットに挿入する場合

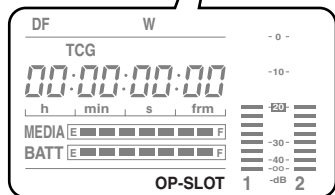
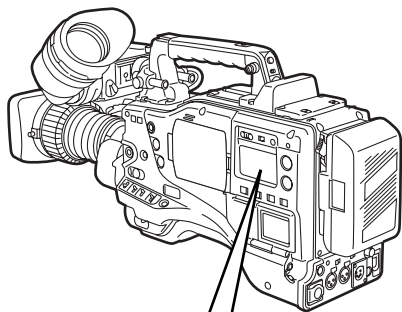
P2 カードスロットに挿入するときは、必ず ⑤ のスロットに挿入してください。他のスロットに挿入しても、プロキシデータの記録ができません。挿入方法については、P2 カムの取扱説明書を参照してください。



動作の確認

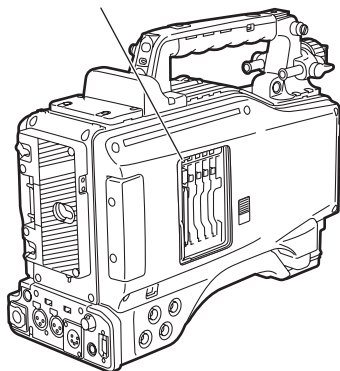
P2 カムの電源を ON にして、P2 PROXY カードの動作を確認します。

- P2 PROXY カードを OPTION スロットに挿入した場合、P2 PROXY カードを正常に認識すると、P2 カムの表示窓に“OP-SLOT”が表示されます。



- P2 PROXY カードを P2 カードスロット 5 に挿入した場合、P2 PROXY カードを正常に認識すると、アクセス LED がオレンジ色に点滅します。

アクセス LED

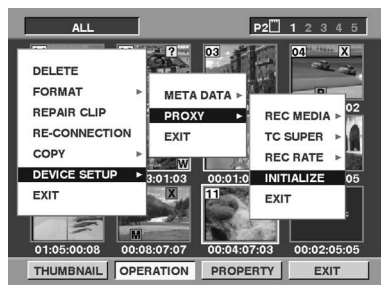


P2 PROXY カードを初めて P2 カムで使用するときは、PROXY メニューで初期化を行う必要があります。

初期化を行う

- ① P2 PROXY カードを P2 カムに挿入して、P2 カムの電源を ON にします。
- ② THUMBNAIL ボタンを押して、サムネイル画面を表示します。
- ③ MENU BAR ボタンを押して、ポインターをメニューバーに移動します。
- ④ カーソルボタンと SET ボタンで、OPERATION → DEVICE SETUP → PROXY → INITIALIZE → YES を選択します。

以上で初期化が完了します。

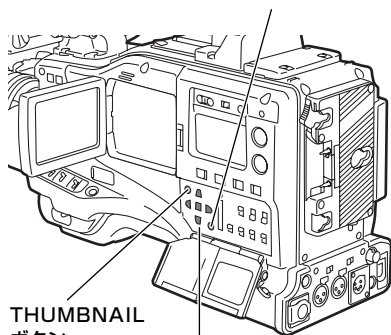


動作の確認 (つづき)

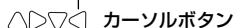
サムネイル画面での確認

- 1 THUMBNAIL ボタンを押して、サムネイル画面を表示します。
- 2 MENU BAR ボタンを押して、ポインターをメニューバーに移動します。
- 3 カーソルボタンを押して、ポインターをPROPERTYに合わせ、SET ボタンを押します。
- 4 カーソルボタンを押して、ポインターをDEVICESに合わせ、SET ボタンを押します。
- 5 カーソルボタンを押して、ポインターをPROXYに合わせ、SET ボタンを押します。

MENU BAR ボタン



THUMBNAIL
ボタン



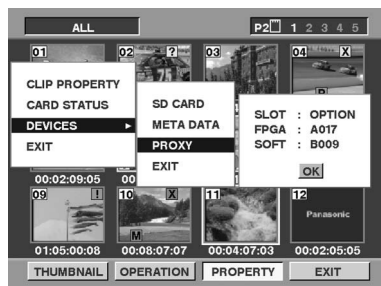
□ SET ボタン

「SOFT: NO VERSION」が表示されますが、異常ではありません。プロキシデータの記録が行われることで、バージョンが反映されて表示します。

電源 ON 時



プロキシデータの記録後 (OPTION スロット)



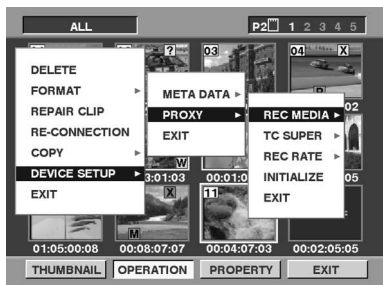
(P2 カードスロット ⑤)



PROXY メニュー

メニューの設定

- ① P2 PROXY カードを P2 カムに挿入して、P2 カムの電源を ON にします。
- ② THUMBNAIL ボタンを押して、サムネイル画面を表示します。
- ③ MENU BAR ボタンを押して、インターをメニューバーに移動します。
- ④ カーソルボタンと SET ボタンで、OPERATION → DEVICE SETUP → PROXY を選択します。
- ⑤ カーソルボタンと SET ボタンで、メニュー項目を選択して設定を行います。



PROXY メニュー

項目	可変範囲
REC MEDIA	OFF P2 P2&SD
プロキシデータの記録を行うメディアを選択します。 OFF: プロキシデータの記録を行いません。 P2: P2 カードにプロキシデータの記録を行います。 P2&SD: P2 カードと SD メモリーカードの両方にプロキシデータの記録を行います。 <ul style="list-style-type: none">● 記録中にボイスメモの記録を行うと、P2 カードと SD メモリーカードの両方にボイスメモが記録されます。● 記録終了後にボイスメモの記録を行った場合は、P2 カードだけにボイスメモが記録されます。	
TC SUPER	OFF UPPER LOWER
プロキシデータの記録映像にタイムコードの表示をスーパーインポーズする設定を行います。 OFF: タイムコードの表示を記録映像にスーパーインポーズしません。 UPPER: 記録映像の上部にタイムコードの表示をスーパーインポーズします。 LOWER: 記録映像の下部にタイムコードの表示をスーパーインポーズします。	

可変範囲の ____ は初期値です。

PROXY メニュー (つづき)

項目	可変範囲
REC RATE	192kbps 768kbps 1500 kbps
プロキシデータの記録レートを設定します。	
INITIALIZE	——
PROXY メニューの初期化、および P2 カム内部の設定データを初期化します。 ● プロキシ対応の P2 カムに、初めて P2 PROXY カードを挿入したときには、必ず、この項目を実行してください。	

可変範囲の —— は初期値です。

- 下記のモードのときは、プロキシデータの記録が行えません。
 - IEEE 1394 デジタル記録
 - INTERVAL REC
 - LOOP REC
- P2 カムのビューファインダーにプロキシデータの記録情報を表示する場合は、P2 カムのメニュー VF ページの <VF INDICATOR2> 画面から PROXY REC 項目を選択して ON にします。
記録開始時に “PROXY REC P2” または、“PROXY REC P2&SD” が表示されます。
- P2 カードにプロキシデータを記録して素材を撮影する場合、P2 カードの取扱説明書に記載されている記録時間よりも短くなる場合があります。
- PROXY メニューの設定中は、全ての記録操作を受け付けません。

記録レートと記録信号 (ビデオ・オーディオ)

記録レート	ビデオ (QVGA)	オーディオ
192 kbps	NTSC (525i) 15 フレーム/秒 PAL (625i) 12.5 フレーム/秒	モノラル (CH1 と CH2 のミックス)、 32 kbps/ch
768 kbps	NTSC (525i) 30 フレーム/秒 PAL (625i) 25 フレーム/秒	ステレオ (CH1・CH2)、 64 kbps/ch
1500 kbps	NTSC (525i) 30 フレーム/秒 PAL (625i) 25 フレーム/秒	ステレオ (CH1・CH2)、 64 kbps/ch

記録レートは、ビデオ信号の記録レートを示しています。

PROXY メニュー (つづき)

24P/24PA モードでのプロキシ記録 [NTSC (525i) のみ]

P2 カムの動作モードを 24P (2 : 3) や 24PA (2 : 3 : 3 : 2) に設定してプロキシデータを記録した場合、記録レートにより 5 フレームのシーケンスは下記のようになります。

記録レート : 768 kbps、1500 kbps

24P (2:3)

シーケンス No.	0	1	2	3	4
素材の映像	0 <u>0</u>	1 <u>1</u>	1 <u>2</u>	2 <u>3</u>	3 <u>3</u>
プロキシ記録の映像	0	1	1	2	3

- アンダーラインは、第 2 フィールドの映像を示します。

24PA (2:3:3:2)

シーケンス No.	0	1	2	3	4
素材の映像	0 <u>0</u>	1 <u>1</u>	1 <u>2</u>	2 <u>2</u>	3 <u>3</u>
プロキシ記録の映像	0	1	1	2	3

記録レート : 192 kbps

記録レートが 192 kbps のときは、5 フレームのシーケンスが正しく形成されません。

24P (2:3)

シーケンス No.	0	1	2	3	4	0	1	2	3	4
素材の映像	0 <u>0</u>	1 <u>1</u>	1 <u>2</u>	2 <u>3</u>	3 <u>3</u>	4 <u>4</u>	5 <u>5</u>	5 <u>6</u>	6 <u>7</u>	7 <u>7</u>
プロキシ記録の映像	0		1		3		5		6	

24PA (2:3:3:2)

シーケンス No.	0	1	2	3	4	0	1	2	3	4
素材の映像	0 <u>0</u>	1 <u>1</u>	1 <u>2</u>	2 <u>2</u>	3 <u>3</u>	4 <u>4</u>	5 <u>5</u>	5 <u>6</u>	6 <u>6</u>	7 <u>7</u>
プロキシ記録の映像	0		1		3		5		6	

SD メモリーカードへの記録

プロキシデータの記録を行う SD メモリーカードには、「High Speed」などと表示された 256 MB、512 MB、1 GB の SD メモリーカードを使用してください。

詳しくは、下記のホームページをご覧ください。

<http://panasonic.biz/sav/p2>

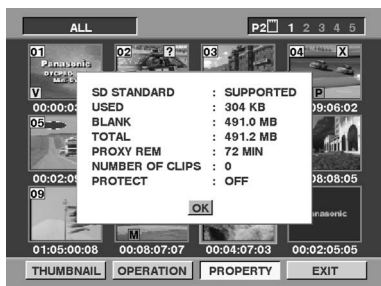
プロキシデータの記録を SD メモリーカードに行う場合、P2 カムでフォーマットしてください。

- SD 規格に準拠したフォーマットをパーソナルコンピューターなどで行った SD メモリーカードも使用できません。
- SD メモリーカードの取り扱いについては、P2 カムの取扱説明書を参照してください。

SD メモリーカードを確認する

- ① SD メモリーカードを P2 カムに挿入します。
- ② THUMBNAIL ボタンを押して、サムネイル画面を表示します。
- ③ MENU BAR ボタンを押して、ポインターをメニューバーに移動します。
- ④ カーソルボタンと SET ボタンで、PROPERTY ▶ DEVICES ▶ SD CARD を選択します。

- SD STANDARD の項目にフォーマットの状態が表示されます。NOT SUPPORTED が表示された場合は、P2 カムでフォーマットしてください。
- PROXY REM 項目で、現在設定している記録レートにおけるプロキシデータの記録残量時間を確認します。
- NUMBER OF CLIPS 項目で、SD メモリーカードに記録されているクリップ数を確認します。クリップ数が 1000 以上になると、容量が残っていても SD メモリーカードにプロキシデータを記録することができません。
- 複数の P2 カードにまたがって素材を記録した場合は、サムネイル画面に表示されるクリップ数と SD メモリーカードに記録されるプロキシデータのクリップ数が異なります。
- SD メモリーカード内のクリップには、P2 カムのショットマークボタンを押しても、ショットマークを付けることができません。
- P2 カムのサムネイル画面で、P2 カードに記録されたクリップを削除しても、SD メモリーカードに記録されたプロキシデータは削除されません。



SDメモリーカードへの記録(つづき)

フォーマットを行う

- ① SDメモリーカードをP2カムに挿入します。
- ② THUMB NAIL ボタンを押して、サムネール画面を表示します。
- ③ MENU BAR ボタンを押して、ポインターをメニューバーに移動します。
- ④ カーソルボタンとSETボタンで、OPERATION ➡ FORMAT ➡ SD CARD ➡ YES を選択します。

以上でSDメモリーカードのフォーマットが完了します。

プロキシデータ記録時間の目安


SDメモリーカードの品番と容量	記録レートと記録時間		
	192 kbps	768 kbps	1500 kbps
RP-SDH256N1A (256 MB)	約137分	約35分	約19分
RP-SDH512N1A (512 MB)	約278分	約71分	約39分
RP-SDH512J1A (512 MB)	約237分	約69分	約38分
RP-SDH0G1J1A (1 GB)	約536分	約139分	約77分
RP-SDK0G1J1A (1 GB)	約536分	約139分	約77分

記録条件(シーン・ボイスメモ・クリップ数など)により、記録時間が異なります。

<ノート>

PROXYメニューのREC MEDIA項目がP2&SDに設定されているのに、SDメモリーカードにプロキシデータを記録できない場合は、記録開始時に“SD CARD WRITE ERR”と表示されます。このときは、SDメモリーカードを確認してください。詳しくは、「プロキシ記録のエラー」(12ページ)を参照してください。

プロキシデータの確認

■ プロキシデータの記録を行った素材のクリップには、のインジケータが表示されます。

■ プロキシデータは、映像音声ファイルとリアルタイムメタデータファイルとして、P2カードやSDメモリーカードに記録されます。

映像音声ファイル：

xxxxxxxx.MP4

ISO/IEC 14496規格に準拠したデータです。

リアルタイムメタデータファイル：

xxxxxxxx.BIN

フレーム単位にタイムコード、ユーザーズビット、UMID情報を記録します。

プロキシデータは、P2ビューアーで確認してください。

P2ビューアーに関する情報は、下記のホームページをご覧ください。

<http://panasonic.biz/sav/p2>

プロキシ記録のエラー

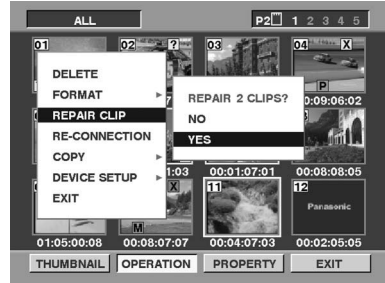
プロキシデータの記録を行っているときにエラーが発生したときは、下記の内容を確認して処理を行ってください。

エラー表示	動作と原因	処理
ビューファインダー： TURN POWER OFF 表示窓： E-30	プロキシデータの記録を停止します。 ● 記録中に P2 カードや P2 PROXY カードが取り出された	P2 カムの電源を OFF にし、再度電源を ON にして記録再生を確認してください。 取り出した P2 カードのクリップの修復を行ってください。(13 ページ参照)
ビューファインダー： REC WARNING 表示窓： 00:00:00:11	プロキシデータの記録を停止します。 ● P2 カードへの記録に異常が発生した	● P2 カードに記録されたプロキシデータは、削除されます。 ● SD メモリーカードに記録されたプロキシデータは、修復されません。
ビューファインダー： EOM (SD)	SD メモリーカードへのプロキシデータ記録を停止しますが、P2 カードへの記録は継続します。 ● SD メモリーカードの記録容量が無い	記録終了後に、新しい SD メモリーカードを挿入してください。 ● SD メモリーカードに記録中のプロキシデータは、削除されます。 削除されたプロキシデータを復元する場合は、P2 カードのクリップを選択して SD メモリーカードにコピーしてください。(13 ページ参照)
ビューファインダー： SD CARD WRITE ERR	SD メモリーカードへのプロキシデータ記録を停止しますが、P2 カードへの記録は継続します。 PROXY メニューの REC MEDIA 項目が P2&SD に設定されているのに、SD メモリーカードにプロキシデータの記録ができないときに表示します。 ■ 記録開始時に表示する場合 ● SD メモリーカードが挿入されていない ● SD メモリーカードのフォーマットが違う ● SD メモリーカードがライトプロテクトされている ● SD メモリーカードに 1000 以上のクリップが記録されている ■ 記録中に表示する場合 ● 記録中に SD メモリーカードが取り出された ● SD メモリーカードへの記録に異常が発生した	SD メモリーカードの状態を確認して、記録可能なカードを挿入してください。(10 ページ参照)
ビューファインダー： PROXY CARD ERROR	プロキシデータの記録を停止しますが、P2 カードへの素材の記録は継続します。 ● P2 PROXY カードに異常が発生 ● P2 PROXY カードへの入力信号の異常	プロキシデータが正しく記録されません。 P2 カムの電源を OFF にし、再度電源を ON にして記録再生を確認してください。

プロキシ記録のエラー (つづき)

クリップを修復する

- 1 THUMBNAIL ボタンを押して、サムネイル画面を表示します。
- 2 カーソルボタンで、修復するクリップにポインターを移動してSET ボタンを押します。
- 3 MENU BAR ボタンを押して、ポインターをメニューバーに移動します。
- 4 カーソルボタンとSET ボタンで、OPERATION ▶ REPAIR CLIP ▶ YES を選択します。



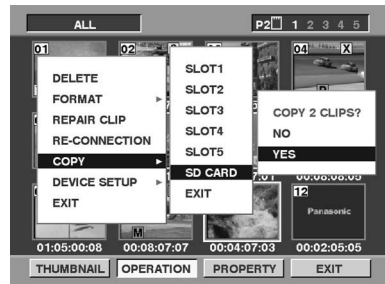
<ノート>

クリップを修復すると、

- P2 カードに記録されたプロキシデータは、削除されます。
- SD メモリーカードに記録されたプロキシデータは、修復されません。

クリップをSDメモリーカードにコピーする

- 1 THUMBNAIL ボタンを押して、サムネイル画面を表示します。
- 2 カーソルボタンで、コピーするクリップにポインターを移動してSET ボタンを押します。
- 3 MENU BAR ボタンを押して、ポインターをメニューバーに移動します。
- 4 カーソルボタンとSET ボタンで、OPERATION ▶ COPY ▶ SD CARD ▶ YES を選択します。



保証とアフターサービス

故障・修理・お取扱い

などのご相談は、まず、

お買い上げの販売店

へ、お申し付けください。

お買い上げの販売店がご不明の場合は、当社（裏表紙）までご連絡ください。

※内容により、お近くの窓口をご紹介させていただく場合がございますので、ご了承ください。

■保証書（別添付）

お買い上げ日・販売店名などの記入を必ずお確かめの上、お買い上げの販売店からお受け取りください。

内容をよくお読みいただいた上、大切に保存してください。

万一、保証期間内に故障が生じた場合には、保証書記載内容に基づき、「無料修理」させていただきます。

■補修用性能部品

当社では、オプションカードの補修用性能部品を、製造打ち切り後、8年間保有しています。

※補修用性能部品とは、その製品の機能を維持するために必要な部品です。

保証期間：

お買い上げ日から本体1年間

修理を依頼されるとき

この取扱説明書を再度ご確認の上、お買い上げの販売店までご連絡ください。

◆保証期間中の修理は...

保証書の記載内容に従って、修理させていただきます。詳しくは、保証書をご覧ください。

◆保証期間経過後の修理は...

修理により、機能、性能の回復が可能な場合は、ご希望により有料で修理させていただきます。

ご連絡いただきたい内容

品名	ビデオエンコーダーカード
品番	AJ-YAX800G
製造番号	
お買い上げ日	
故障の状況	

定 格

入力電圧：

DC 3.3 V ± 0.3 V

消費電力：

最大 1.5 W

動作温度：

0 °C ~ + 40 °C

動作湿度：

10 % ~ 85 % (結露がないこと)

保存温度：

- 20 °C ~ + 60 °C

保存湿度：

10 % ~ 85 % (結露がないこと)

質量：

約 43 g

外形寸法 (幅×高さ×奥行)：

約 54 mm × 5 mm × 85.6 mm

インターフェース：

PC カード規格

ファイルフォーマット：

MP4 (ISO/IEC 14496 規格)

ビデオ圧縮フォーマット：

MPEG4 シンプルプロファイル (4 : 2 : 0)

オーディオ圧縮フォーマット：

AAC (Advanced Audio Coding)

設定モード：

192 kbps

ビデオ : QVGA、15 フレーム/秒 (525i)、12.5 フレーム/秒 (625i)

オーディオ : モノラル (CH1 と CH2 のミックス) 32 kbps/ch

768 kbps

ビデオ : QVGA、30 フレーム/秒 (525i)、25 フレーム/秒 (625i)

オーディオ : ステレオ (CH1・CH2) 64 kbps/ch

1500 kbps

ビデオ : QVGA、30 フレーム/秒 (525i)、25 フレーム/秒 (625i)

オーディオ : ステレオ (CH1・CH2) 64 kbps/ch

この仕様は、性能向上のため変更することがあります。

GPL

■ GNU GENERAL PUBLIC LICENSE

Version 2, June 1991
Copyright (C) 1989, 1991 Free Software Foundation, Inc.
59 Temple Place - Suite 330, Boston, MA 02111-1307,
USA

Everyone is permitted to copy and distribute verbatim copies of this license document, but changing it is not allowed.

Preamble

The licenses for most software are designed to take away your freedom to share and change it. By contrast, the GNU General Public License is intended to guarantee your freedom to share and change free software—to make sure the software is free for all its users. This General Public License applies to most of the Free Software Foundation's software and to any other program whose authors commit to using it. (Some other Free Software Foundation software is covered by the GNU Library General Public License instead.) You can apply it to your programs, too.

When we speak of free software, we are referring to freedom, not price. Our General Public Licenses are designed to make sure that you have the freedom to distribute copies of free software (and charge for this service if you wish), that you receive source code or can get it if you want it, that you can change the software or use pieces of it in new free programs; and that you know you can do these things.

To protect your rights, we need to make restrictions that forbid anyone to deny you these rights or to ask you to surrender the rights. These restrictions translate to certain responsibilities for you if you distribute copies of the software, or if you modify it.

For example, if you distribute copies of such a program, whether gratis or for a fee, you must give the recipients all the rights that you have. You must make sure that they, too, receive or can get the source code. And you must show them these terms so they know their rights.

We protect your rights with two steps: (1) copyright the software, and (2) offer you this license which gives you legal permission to copy, distribute and/or modify the software.

Also, for each author's protection and ours, we want to make certain that everyone understands that there is no warranty for this free software. If the software is modified by someone else and passed on, we want its recipients to know that what they have is not the original, so that any problems introduced by others will not reflect on the original authors' reputations.

Finally, any free program is threatened constantly by software patents. We wish to avoid the danger that redistributors of a free program will individually obtain patent licenses, in effect making the program proprietary. To prevent this, we have made it clear that any patent must be licensed for everyone's free use or not licensed at all.

The precise terms and conditions for copying, distribution and modification follow.

TERMS AND CONDITIONS FOR COPYING, DISTRIBUTION AND MODIFICATION

0. This License applies to any program or other work which contains a notice placed by the copyright holder saying it may be distributed under the terms of this General Public License. The "Program", below, refers to any such program or work, and a "work based on the Program" means either the Program or any derivative work under copyright law: that is to say, a work containing the Program or a portion of it, either verbatim or with modifications and/or translated into another language. (Hereinafter, translation is included without limitation in the term "modification".) Each licensee is addressed as "you".

Activities other than copying, distribution and modification are not covered by this License; they are outside its scope. The act of running the Program is not restricted, and the output from the Program is covered only if its contents constitute a work based on the Program (independent of having been made by running the Program). Whether that is true depends on what the Program does.

1. You may copy and distribute verbatim copies of the Program's source code as you receive it, in any medium, provided that you conspicuously and appropriately publish on each copy an appropriate copyright notice and disclaimer of warranty; keep intact all the notices that refer to this License and to the absence of any warranty; and give any other recipients of the Program a copy of this License along with the Program.

You may charge a fee for the physical act of transferring a copy, and you may at your option offer warranty protection in exchange for a fee.

2. You may modify your copy or copies of the Program or any portion of it, thus forming a work based on the Program, and copy and distribute such modifications or work under the terms of Section 1 above, provided that you also meet all of these conditions:

a) You must cause the modified files to carry prominent notices stating that you changed the files and the date of any change.

b) You must cause any work that you distribute or publish, that in whole or in part contains or is derived from the Program or any part thereof, to be licensed as a whole at no charge to all third parties under the terms of this License.

c) If the modified program normally reads commands interactively when run, you must cause it, when started running for such interactive use in the most ordinary way, to print or display an announcement including an appropriate copyright notice and a notice that there is no warranty (or else, saying that you provide a warranty) and that users may redistribute the program under these conditions, and telling the user how to view a copy of this License. (Exception: if the Program itself is interactive but does not normally print such an announcement, your work based on the Program is not required to print an announcement.)

These requirements apply to the modified work as a whole. If identifiable sections of that work are not derived from the Program, and can be reasonably considered independent and separate works in themselves, then this License, and its terms, do not apply to those sections when you distribute them as separate works. But when you distribute the same sections as part of a whole which is a work based on the Program, the distribution of the whole must be on the terms of this License, whose permissions for other licensees extend to the entire whole, and thus to each and every part regardless of who wrote it.

Thus, it is not the intent of this section to claim rights or contest your rights to work written entirely by you; rather, the intent is to exercise the right to control the distribution of derivative or collective works based on the Program.

In addition, mere aggregation of another work not based on the Program with the Program (or with a work based on the Program) on a volume of a storage or distribution medium does not bring the other work under the scope of this License.

3. You may copy and distribute the Program (or a work based on it, under Section 2) in object code or executable form under the terms of Sections 1 and 2 above provided that you also do one of the following:
 - a) Accompany it with the complete corresponding machine-readable source code, which must be distributed under the terms of Sections 1 and 2 above on a medium customarily used for software interchange; or,
 - b) Accompany it with a written offer, valid for at least three years, to give any third party, for a charge no more than your cost of physically performing source distribution, a complete machine-readable copy of the corresponding source code, to be distributed under the terms of Sections 1 and 2 above on a medium customarily used for software interchange; or,
 - c) Accompany it with the information you received as to the offer to distribute corresponding source code. (This alternative is allowed only for noncommercial distribution and only if you received the program in object code or executable form with such an offer, in accord with Subsection b above.)

The source code for a work means the preferred form of the work for making modifications to it. For an executable work, complete source code means all the source code for all modules it contains, plus any associated interface definition files, plus the scripts used to control compilation and installation of the executable. However, as a special exception, the source code distributed need not include anything that is normally distributed (in either source or binary form) with the major components (compiler, kernel, and so on) of the operating system on which the executable runs, unless that component itself accompanies the executable.

If distribution of executable or object code is made by offering access to copy from a designated place, then offering equivalent access to copy the source code from the same place counts as distribution of the source code, even though third parties are not compelled to copy the source along with the object code.

4. You may not copy, modify, sublicense, or distribute the Program except as expressly provided under this License. Any attempt otherwise to copy, modify, sublicense or distribute the Program is void, and will automatically terminate your rights under this License. However, parties who have received copies, or rights, from you under this License will not have their licenses terminated so long as such parties remain in full compliance.
5. You are not required to accept this License, since you have not signed it. However, nothing else grants you permission to modify or distribute the Program or its derivative works. These actions are prohibited by law if you do not accept this License. Therefore, by modifying or distributing the Program (or any work based on the Program), you indicate your acceptance of this License to do so, and all its terms and conditions for copying, distributing or modifying the Program or works based on it.
6. Each time you redistribute the Program (or any work based on the Program), the recipient automatically receives a license from the original licensor to copy, distribute or modify the Program subject to these terms and conditions. You may not impose any further restrictions on the recipients' exercise of the rights granted herein. You are not responsible for enforcing compliance by third parties to this License.
7. If, as a consequence of a court judgment or allegation of patent infringement or for any other reason (not limited to patent issues), conditions are imposed on you (whether by court order, agreement or otherwise) that contradict the conditions of this License, they do not excuse you from the conditions of this License. If you cannot distribute so as to satisfy simultaneously your obligations under this License and any other pertinent obligations, then as a consequence you may not distribute the Program at all. For example, if a patent license would not permit royalty-free redistribution of the Program by all those who receive copies directly or indirectly through you, then the only way you could satisfy both it and this License would be to refrain entirely from distribution of the Program.

If any portion of this section is held invalid or unenforceable under any particular circumstance, the balance of the section is intended to apply and the section as a whole is intended to apply in other circumstances.

It is not the purpose of this section to induce you to infringe any patents or other property right claims or to contest validity of any such claims; this section has the sole purpose of protecting the integrity of the free software distribution system, which is implemented by public license practices. Many people have made generous contributions to the wide range of software distributed through that system in reliance on consistent application of that system; it is up to the author/donor to decide if he or she is willing to distribute software through any other system and a licensee cannot impose that choice.

This section is intended to make thoroughly clear what is believed to be a consequence of the rest of this License.

GPL (continued)

8. If the distribution and/or use of the Program is restricted in certain countries either by patents or by copyrighted interfaces, the original copyright holder who places the Program under this License may add an explicit geographical distribution limitation excluding those countries, so that distribution is permitted only in or among countries not thus excluded. In such case, this License incorporates the limitation as if written in the body of this License.
9. The Free Software Foundation may publish revised and/or new versions of the General Public License from time to time. Such new versions will be similar in spirit to the present version, but may differ in detail to address new problems or concerns.

Each version is given a distinguishing version number. If the Program specifies a version number of this License which applies to it and "any later version", you have the option of following the terms and conditions either of that version or of any later version published by the Free Software Foundation. If the Program does not specify a version number of this License, you may choose any version ever published by the Free Software Foundation.

10. If you wish to incorporate parts of the Program into other free programs whose distribution conditions are different, write to the author to ask for permission. For software which is copyrighted by the Free Software Foundation, write to the Free Software Foundation; we sometimes make exceptions for this. Our decision will be guided by the two goals of preserving the free status of all derivatives of our free software and of promoting the sharing and reuse of software generally.

NO WARRANTY

11. BECAUSE THE PROGRAM IS LICENSED FREE OF CHARGE, THERE IS NO WARRANTY FOR THE PROGRAM, TO THE EXTENT PERMITTED BY APPLICABLE LAW. EXCEPT WHEN OTHERWISE STATED IN WRITING THE COPYRIGHT HOLDERS AND/OR OTHER PARTIES PROVIDE THE PROGRAM "AS IS" WITHOUT WARRANTY OF ANY KIND, EITHER EXPRESSED OR IMPLIED, INCLUDING, BUT NOT LIMITED TO, THE IMPLIED WARRANTIES OF MERCHANTABILITY AND FITNESS FOR A PARTICULAR PURPOSE. THE ENTIRE RISK AS TO THE QUALITY AND PERFORMANCE OF THE PROGRAM IS WITH YOU. SHOULD THE PROGRAM PROVE DEFECTIVE, YOU ASSUME THE COST OF ALL NECESSARY SERVICING, REPAIR OR CORRECTION.
12. IN NO EVENT UNLESS REQUIRED BY APPLICABLE LAW OR AGREED TO IN WRITING WILL ANY COPYRIGHT HOLDER, OR ANY OTHER PARTY WHO MAY MODIFY AND/OR REDISTRIBUTE THE PROGRAM AS PERMITTED ABOVE, BE LIABLE TO YOU FOR DAMAGES, INCLUDING ANY GENERAL, SPECIAL, INCIDENTAL OR CONSEQUENTIAL DAMAGES ARISING OUT OF THE USE OR INABILITY TO USE THE PROGRAM (INCLUDING BUT NOT LIMITED TO LOSS OF DATA OR DATA BEING RENDERED INACCURATE OR LOSSES SUSTAINED BY YOU OR THIRD PARTIES OR A FAILURE OF THE PROGRAM TO OPERATE WITH ANY OTHER PROGRAMS), EVEN IF SUCH HOLDER OR OTHER PARTY HAS BEEN ADVISED OF THE POSSIBILITY OF SUCH DAMAGES.

END OF TERMS AND CONDITIONS

LGPL

■ GNU LESSER GENERAL PUBLIC LICENSE

Version 2.1, February 1999
Copyright (C) 1991, 1999 Free Software Foundation, Inc.
59 Temple Place, Suite 330, Boston, MA 02111-1307 USA
Everyone is permitted to copy and distribute verbatim copies of this license document, but changing it is not allowed.

[This is the first released version of the Lesser GPL. It also counts as the successor of the GNU Library Public License, version 2, hence the version number 2.1.]

Preamble

The licenses for most software are designed to take away your freedom to share and change it. By contrast, the GNU General Public Licenses are intended to guarantee your freedom to share and change free software—to make sure the software is free for all its users.

This license, the Lesser General Public License, applies to some specially designated software packages—typically libraries—of the Free Software Foundation and other authors who decide to use it. You can use it too, but we suggest you first think carefully about whether this license or the ordinary General Public License is the better strategy to use in any particular case, based on the explanations below.

When we speak of free software, we are referring to freedom of use, not price. Our General Public Licenses are designed to make sure that you have the freedom to distribute copies of free software (and charge for this service if you wish); that you receive source code or can get it if you want it; that you can change the software and use pieces of it in new free programs; and that you are informed that you can do these things.

To protect your rights, we need to make restrictions that forbid distributors to deny you these rights or to ask you to surrender these rights. These restrictions translate to certain responsibilities for you if you distribute copies of the library or if you modify it.

For example, if you distribute copies of the library, whether gratis or for a fee, you must give the recipients all the rights that we gave you. You must make sure that they, too, receive or can get the source code. If you link other code with the library, you must provide complete object files to the recipients, so that they can relink them with the library after making changes to the library and recompiling it. And you must show them these terms so they know their rights.

We protect your rights with a two-step method: (1) we copyright the library, and (2) we offer you this license, which gives you legal permission to copy, distribute and/or modify the library.

To protect each distributor, we want to make it very clear that there is no warranty for the free library. Also, if the library is modified by someone else and passed on, the recipients should know that what they have is not the original version, so that the original author's reputation will not be affected by problems that might be introduced by others.

Finally, software patents pose a constant threat to the existence of any free program. We wish to make sure that a company cannot effectively restrict the users of a free program by obtaining a restrictive license from a patent holder. Therefore, we insist that any patent license obtained for a version of the library must be consistent with the full freedom of use specified in this license.

Most GNU software, including some libraries, is covered by the ordinary GNU General Public License. This license, the GNU Lesser General Public License, applies to certain designated libraries, and is quite different from the ordinary General Public License. We use this license for certain libraries in order to permit linking those libraries into non-free programs.

When a program is linked with a library, whether statically or using a shared library, the combination of the two is legally speaking a combined work, a derivative of the original library. The ordinary General Public License therefore permits such linking only if the entire combination fits its criteria of freedom. The Lesser General Public License permits more lax criteria for linking other code with the library.

We call this license the “Lesser” General Public License because it does Less to protect the user's freedom than the ordinary General Public License. It also provides other free software developers Less of an advantage over competing non-free programs. These disadvantages are the reason we use the ordinary General Public License for many libraries. However, the Lesser license provides advantages in certain special circumstances.

For example, on rare occasions, there may be a special need to encourage the widest possible use of a certain library, so that it becomes a de-facto standard. To achieve this, non-free programs must be allowed to use the library. A more frequent case is that a free library does the same job as widely used non-free libraries. In this case, there is little to gain by limiting the free library to free software only, so we use the Lesser General Public License.

In other cases, permission to use a particular library in non-free programs enables a greater number of people to use a large body of free software. For example, permission to use the GNU C Library in non-free programs enables many more people to use the whole GNU operating system, as well as its variant, the GNU/Linux operating system.

Although the Lesser General Public License is Less protective of the users' freedom, it does ensure that the user of a program that is linked with the Library has the freedom and the wherewithal to run that program using a modified version of the Library.

The precise terms and conditions for copying, distribution and modification follow. Pay close attention to the difference between a “work based on the library” and a “work that uses the library”. The former contains code derived from the library, whereas the latter must be combined with the library in order to run.

LGPL (continued)

TERMS AND CONDITIONS FOR COPYING, DISTRIBUTION AND MODIFICATION

0. This License Agreement applies to any software library or other program which contains a notice placed by the copyright holder or other authorized party saying it may be distributed under the terms of this Lesser General Public License (also called "this License"). Each licensee is addressed as "you".

A "library" means a collection of software functions and/or data prepared so as to be conveniently linked with application programs (which use some of those functions and data) to form executables.

The "Library", below, refers to any such software library or work which has been distributed under these terms. A "work based on the Library" means either the Library or any derivative work under copyright law: that is to say, a work containing the Library or a portion of it, either verbatim or with modifications and/or translated straightforwardly into another language. (Hereinafter, translation is included without limitation in the term "modification".)

"Source code" for a work means the preferred form of the work for making modifications to it. For a library, complete source code means all the source code for all modules it contains, plus any associated interface definition files, plus the scripts used to control compilation and installation of the library.

Activities other than copying, distribution and modification are not covered by this License; they are outside its scope. The act of running a program using the Library is not restricted, and output from such a program is covered only if its contents constitute a work based on the Library (independent of the use of the Library in a tool for writing it). Whether that is true depends on what the Library does and what the program that uses the Library does.

1. You may copy and distribute verbatim copies of the Library's complete source code as you receive it, in any medium, provided that you conspicuously and appropriately publish on each copy an appropriate copyright notice and disclaimer of warranty; keep intact all the notices that refer to this License and to the absence of any warranty; and distribute a copy of this License along with the Library.

You may charge a fee for the physical act of transferring a copy, and you may at your option offer warranty protection in exchange for a fee.

2. You may modify your copy or copies of the Library or any portion of it, thus forming a work based on the Library, and copy and distribute such modifications or work under the terms of Section 1 above, provided that you also meet all of these conditions:

- The modified work must itself be a software library.
- You must cause the files modified to carry prominent notices stating that you changed the files and the date of any change.
- You must cause the whole of the work to be licensed at no charge to all third parties under the terms of this License.

- d) If a facility in the modified Library refers to a function or a table of data to be supplied by an application program that uses the facility, other than as an argument passed when the facility is invoked, then you must make a good faith effort to ensure that, in the event an application does not supply such function or table, the facility still operates, and performs whatever part of its purpose remains meaningful.

(For example, a function in a library to compute square roots has a purpose that is entirely well-defined independent of the application. Therefore, Subsection 2d requires that any application-supplied function or table used by this function must be optional: if the application does not supply it, the square root function must still compute square roots.)

These requirements apply to the modified work as a whole. If identifiable sections of that work are not derived from the Library, and can be reasonably considered independent and separate works in themselves, then this License, and its terms, do not apply to those sections when you distribute them as separate works. But when you distribute the same sections as part of a whole which is a work based on the Library, the distribution of the whole must be on the terms of this License, whose permissions for other licensees extend to the entire whole, and thus to each and every part regardless of who wrote it.

Thus, it is not the intent of this section to claim rights or contest your rights to work written entirely by you; rather, the intent is to exercise the right to control the distribution of derivative or collective works based on the Library.

In addition, mere aggregation of another work not based on the Library with the Library (or with a work based on the Library) on a volume of a storage or distribution medium does not bring the other work under the scope of this License.

3. You may opt to apply the terms of the ordinary GNU General Public License instead of this License to a given copy of the Library. To do this, you must alter all the notices that refer to this License, so that they refer to the ordinary GNU General Public License, version 2, instead of to this License. (If a newer version than version 2 of the ordinary GNU General Public License has appeared, then you can specify that version instead if you wish.) Do not make any other change in these notices.

Once this change is made in a given copy, it is irreversible for that copy, so the ordinary GNU General Public License applies to all subsequent copies and derivative works made from that copy.

This option is useful when you wish to copy part of the code of the Library into a program that is not a library.

4. You may copy and distribute the Library (or a portion or derivative of it, under Section 2) in object code or executable form under the terms of Sections 1 and 2 above provided that you accompany it with the complete corresponding machine-readable source code, which must be distributed under the terms of Sections 1 and 2 above on a medium customarily used for software interchange.

If distribution of object code is made by offering access to copy from a designated place, then offering equivalent access to copy the source code from the same place satisfies the requirement to distribute the source code, even though third parties are not compelled to copy the source along with the object code.

5. A program that contains no derivative of any portion of the Library, but is designed to work with the Library by being compiled or linked with it, is called a “work that uses the Library”. Such a work, in isolation, is not a derivative work of the Library, and therefore falls outside the scope of this License.

However, linking a “work that uses the Library” with the Library creates an executable that is a derivative of the Library (because it contains portions of the Library), rather than a “work that uses the library”. The executable is therefore covered by this License. Section 6 states terms for distribution of such executables.

When a “work that uses the Library” uses material from a header file that is part of the Library, the object code for the work may be a derivative work of the Library even though the source code is not. Whether this is true is especially significant if the work can be linked without the Library, or if the work is itself a library. The threshold for this to be true is not precisely defined by law.

If such an object file uses only numerical parameters, data structure layouts and accessors, and small macros and small inline functions (ten lines or less in length), then the use of the object file is unrestricted, regardless of whether it is legally a derivative work. (Executables containing this object code plus portions of the Library will still fall under Section 6.)

Otherwise, if the work is a derivative of the Library, you may distribute the object code for the work under the terms of Section 6. Any executables containing that work also fall under Section 6, whether or not they are linked directly with the Library itself.

6. As an exception to the Sections above, you may also combine or link a “work that uses the Library” with the Library to produce a work containing portions of the Library, and distribute that work under terms of your choice, provided that the terms permit modification of the work for the customer’s own use and reverse engineering for debugging such modifications.

You must give prominent notice with each copy of the work that the Library is used in it and that the Library and its use are covered by this License. You must supply a copy of this License. If the work during execution displays copyright notices, you must include the copyright notice for the Library among them, as well as a reference directing the user to the copy of this License. Also, you must do one of these things:

- a) Accompany the work with the complete corresponding machine-readable source code for the Library including whatever changes were used in the work (which must be distributed under Sections 1 and 2 above); and, if the work is an executable linked with the Library, with the complete machine-readable “work that uses the Library”, as object code and/or source code, so that the user can modify the Library and then relink to produce a modified executable containing the modified Library. (It is understood that the user who changes the contents of definitions files

in the Library will not necessarily be able to recompile the application to use the modified definitions.)

- b) Use a suitable shared library mechanism for linking with the Library. A suitable mechanism is one that (1) uses at run time a copy of the library already present on the user’s computer system, rather than copying library functions into the executable, and (2) will operate properly with a modified version of the library, if the user installs one, as long as the modified version is interface-compatible with the version that the work was made with.
- c) Accompany the work with a written offer, valid for at least three years, to give the same user the materials specified in Subsection 6a, above, for a charge no more than the cost of performing this distribution.
- d) If distribution of the work is made by offering access to copy from a designated place, offer equivalent access to copy the above specified materials from the same place.
- e) Verify that the user has already received a copy of these materials or that you have already sent this user a copy.

For an executable, the required form of the “work that uses the Library” must include any data and utility programs needed for reproducing the executable from it. However, as a special exception, the materials to be distributed need not include anything that is normally distributed (in either source or binary form) with the major components (compiler, kernel, and so on) of the operating system on which the executable runs, unless that component itself accompanies the executable.

It may happen that this requirement contradicts the license restrictions of other proprietary libraries that do not normally accompany the operating system. Such a contradiction means you cannot use both them and the Library together in an executable that you distribute.

7. You may place library facilities that are a work based on the Library side-by-side in a single library together with other library facilities not covered by this License, and distribute such a combined library, provided that the separate distribution of the work based on the Library and of the other library facilities is otherwise permitted, and provided that you do these two things:

- a) Accompany the combined library with a copy of the same work based on the Library, uncombined with any other library facilities. This must be distributed under the terms of the Sections above.
- b) Give prominent notice with the combined library of the fact that part of it is a work based on the Library, and explaining where to find the accompanying uncombined form of the same work.

8. You may not copy, modify, sublicense, link with, or distribute the Library except as expressly provided under this License. Any attempt otherwise to copy, modify, sublicense, link with, or distribute the Library is void, and will automatically terminate your rights under this License. However, parties who have received copies, or rights, from you under this License will not have their licenses terminated so long as such parties remain in full compliance.

LGPL (continued)

9. You are not required to accept this License, since you have not signed it. However, nothing else grants you permission to modify or distribute the Library or its derivative works. These actions are prohibited by law if you do not accept this License. Therefore, by modifying or distributing the Library (or any work based on the Library), you indicate your acceptance of this License to do so, and all its terms and conditions for copying, distributing or modifying the Library or works based on it.

10. Each time you redistribute the Library (or any work based on the Library), the recipient automatically receives a license from the original licensor to copy, distribute, link with or modify the Library subject to these terms and conditions. You may not impose any further restrictions on the recipients' exercise of the rights granted herein. You are not responsible for enforcing compliance by third parties with this License.

11. If, as a consequence of a court judgment or allegation of patent infringement or for any other reason (not limited to patent issues), conditions are imposed on you (whether by court order, agreement or otherwise) that contradict the conditions of this License, they do not excuse you from the conditions of this License. If you cannot distribute so as to satisfy simultaneously your obligations under this License and any other pertinent obligations, then as a consequence you may not distribute the Library at all. For example, if a patent license would not permit royalty-free redistribution of the Library by all those who receive copies directly or indirectly through you, then the only way you could satisfy both it and this License would be to refrain entirely from distribution of the Library.

If any portion of this section is held invalid or unenforceable under any particular circumstance, the balance of the section is intended to apply, and the section as a whole is intended to apply in other circumstances.

It is not the purpose of this section to induce you to infringe any patents or other property right claims or to contest validity of any such claims; this section has the sole purpose of protecting the integrity of the free software distribution system which is implemented by public license practices. Many people have made generous contributions to the wide range of software distributed through that system in reliance on consistent application of that system; it is up to the author/donor to decide if he or she is willing to distribute software through any other system and a licensee cannot impose that choice.

This section is intended to make thoroughly clear what is believed to be a consequence of the rest of this License.

12. If the distribution and/or use of the Library is restricted in certain countries either by patents or by copyrighted interfaces, the original copyright holder who places the Library under this License may add an explicit geographical distribution limitation excluding those countries, so that distribution is permitted only in or among countries not thus excluded. In such case, this License incorporates the limitation as if written in the body of this License.

13. The Free Software Foundation may publish revised and/or new versions of the Lesser General Public License from time to time. Such new versions will be similar in spirit to the present version, but may differ in detail to address new problems or concerns.

Each version is given a distinguishing version number. If the Library specifies a version number of this License which applies to it and "any later version", you have the option of following the terms and conditions either of that version or of any later version published by the Free Software Foundation. If the Library does not specify a license version number, you may choose any version ever published by the Free Software Foundation.

14. If you wish to incorporate parts of the Library into other free programs whose distribution conditions are incompatible with these, write to the author to ask for permission. For software which is copyrighted by the Free Software Foundation, write to the Free Software Foundation; we sometimes make exceptions for this. Our decision will be guided by the two goals of preserving the free status of all derivatives of our free software and of promoting the sharing and reuse of software generally.

NO WARRANTY

15. BECAUSE THE LIBRARY IS LICENSED FREE OF CHARGE, THERE IS NO WARRANTY FOR THE LIBRARY, TO THE EXTENT PERMITTED BY APPLICABLE LAW. EXCEPT WHEN OTHERWISE STATED IN WRITING THE COPYRIGHT HOLDERS AND/OR OTHER PARTIES PROVIDE THE LIBRARY "AS IS" WITHOUT WARRANTY OF ANY KIND, EITHER EXPRESSED OR IMPLIED, INCLUDING, BUT NOT LIMITED TO, THE IMPLIED WARRANTIES OF MERCHANTABILITY AND FITNESS FOR A PARTICULAR PURPOSE. THE ENTIRE RISK AS TO THE QUALITY AND PERFORMANCE OF THE LIBRARY IS WITH YOU. SHOULD THE LIBRARY PROVE DEFECTIVE, YOU ASSUME THE COST OF ALL NECESSARY SERVICING, REPAIR OR CORRECTION.

16. IN NO EVENT UNLESS REQUIRED BY APPLICABLE LAW OR AGREED TO IN WRITING WILL ANY COPYRIGHT HOLDER, OR ANY OTHER PARTY WHO MAY MODIFY AND/OR REDISTRIBUTE THE LIBRARY AS PERMITTED ABOVE, BE LIABLE TO YOU FOR DAMAGES, INCLUDING ANY GENERAL, SPECIAL, INCIDENTAL OR CONSEQUENTIAL DAMAGES ARISING OUT OF THE USE OR INABILITY TO USE THE LIBRARY (INCLUDING BUT NOT LIMITED TO LOSS OF DATA OR DATA BEING RENDERED INACCURATE OR LOSSES SUSTAINED BY YOU OR THIRD PARTIES OR A FAILURE OF THE LIBRARY TO OPERATE WITH ANY OTHER SOFTWARE), EVEN IF SUCH HOLDER OR OTHER PARTY HAS BEEN ADVISED OF THE POSSIBILITY OF SUCH DAMAGES.

END OF TERMS AND CONDITIONS

Panasonic[®]

PANASONIC BROADCAST & TELEVISION SYSTEMS COMPANY
UNIT COMPANY OF PANASONIC CORPORATION OF NORTH AMERICA

Executive Office:

One Panasonic Way 4E-7, Secaucus, NJ 07094 (201) 348-7000

EASTERN ZONE:

One Panasonic Way 4E-7, Secaucus, NJ 07094 (201) 348-7621

Southeast Region:

1225 Northbrook Parkway, Ste 1-160, Suwanee, GA 30024 (770) 338-6835

Central Region:

1707 N Randall Road E1-C-1, Elgin, IL 60123 (847) 468-5200

WESTERN ZONE:

3330 Cahuenga Blvd W., Los Angeles, CA 90068 (323) 436-3500

Government Marketing Department:

52 West Gude Drive, Rockville, MD 20850 (301) 738-3840

Broadcast PARTS INFORMATION & ORDERING:

9:00 a.m. – 5:00 p.m. (EST) (800) 334-4881/24 Hr. Fax (800) 334-4880

Emergency after hour parts orders (800) 334-4881

TECHNICAL SUPPORT:

Emergency 24 Hour Service (800) 222-0741

Panasonic Canada Inc.

5770 Ambler Drive, Mississauga, Ontario L4W 2T3 (905) 624-5010

Panasonic de Mexico S.A. de C.V.

Av angel Urraza Num. 1209 Col. de Valle 03100 Mexico, D.F. (52) 1 951 2127

Panasonic Puerto Rico Inc.

San Gabriel Industrial Park, 65th Infantry Ave., Km. 9.5, Carolina, Puerto Rico 00630 (787) 750-4300

Panasonic Broadcast Europe

Panasonic Marketing Europe GmbH

Hagenauer Str. 43, 65203 Wiesbaden-Biebrich Deutschland

Tel: 49-611-235-481

松下电器产业株式会社

Web Site: <http://www.panasonic.co.jp/global/>

松下電器産業株式会社 システム事業グループ

〒571-8503 大阪府門真市松葉町2番15号 ☎(06) 6901-1161

