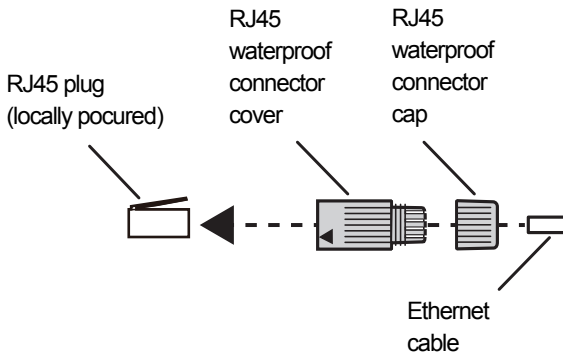


[Notice] First pass the Ethernet cable through the RJ45 waterproof connector cap and then through the RJ45 waterproof connector cover . Next, use a specialized tool (locally procured) to crimp the RJ45 plug (locally procured) to the end of the Ethernet cable.



【注意】 EthernetケーブルにRJ45防水コネクタキャップ、RJ45防水コネクタカバーの順で通した後、専用工具（別途調達）で、先端にRJ45プラグ（別途調達）をかきつけてください。

